

Ditec
OPEN YOUR WORLD



EASY TO
INSTALL



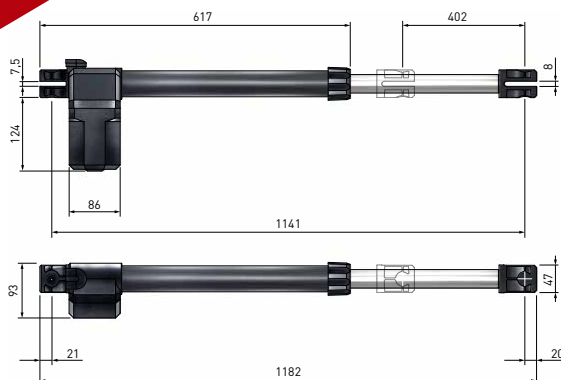
RELIABLE AND
STURDY



ADVANCED KIT

230 V telescopic
automation
for swing gates
with wing up to **3.5 m**

Ditec **TS 35**



* TS35ACD: right motor
TS35ACS: left motor

TECHNICAL SPECIFICATIONS

DESCRIPTION	TS35ACD - TS35ACS *
Electromechanical actuator	irreversible
Maximum load	400 kg x 1.5 m 300 kg x 3.5 m
Motor power feed	230 Vac - 50 Hz
Max power	330 W
Max absorption	1.5 A
Max thrust	3500 N
Opening speed	18 s ± 22 s / 90°
Maximum stroke	400 mm
Actuator maximum opening	110°
Intermittent operation	S2 = 10 min / S3 = 30%
Service class	frequent, up to 100,000 cycles
Release system for manual opening	key-operated
Operating temperature	-20°C / +55°C in standard conditions (-35°C ÷ +55°C with NIO system)
Protection rating	IP33
Weight (kg)	4
Control panel	LCA70 or LCA80

MAIN FUNCTIONS OF THE SYSTEM

DESCRIPTION	TS35ACD - TS35ACS *	TS35ACD - TS35ACS *
Control panel	LCA70 for 1 or 2 230 Vac motors with built-in radio	LCA80 for 1 or 2 230 Vac
Radio frequency	433.92 MHz as standard 868.35 MHz with ZENPRS or with BIXPR2	433.92 MHz with ZENRS or with BIXR2 868.35 MHz with ZENPRS or with BIXPR2
433MHz/868MHz interchangeable receiver module	■	■
Motor power supply	230 Vac - 50 Hz	230 Vac - 50 Hz
Alimentazione motore	230 Vac - 50 Hz; 2 x 2 A max; 1 x 4 A max	230 Vac - 50 Hz; 2 x 2 A max; 1 x 4 A max
24 Vdc and 24 Vac accessories power supply	0.3 A	0.5 A
Stroke control	end stop detection and time calculation	end stop detection and time calculation
Limit switch provision	■	■
Energy saving	■	■
Operating temperature	-20°C ÷ +55°C in standard conditions (-35°C ÷ +55°C with NIO enabled)	-20°C ÷ +55°C in standard conditions (-35°C ÷ +55°C with NIO enabled)
Control panel protection level	IP55	IP55
Control panel dimensions (mm)	187x261x105	187x261x105
Opening control	shared with step-by-step control, which can be selected via display	■
Partial opening control	■	■
Close control	shared with emergency stop, which can be selected from the display	■
Stop control	via radio or shared with partial opening control, which can be selected from the display	■
Step-by-step control	■	■
Hold-to-run control	■	■
Automatic closing contact management	shared with partial opening control, selected via display	■
Flashing light	230 Vac 25 W max	230 Vac 25 W max
Electrically operated lock	12 Vac 15 W max	12 Vac 15 W max
8.2 KΩ-resistance safety edge	■with accessory	■during opening and closing (terminal connectors already integrated in the control panel)
24 Vdc number of configurable outputs	1	2
- gate-open warning light (ON/OFF)	■	■
- gate-open warning light with proportional blink rate	■	■
- courtesy light	■	■
- 24 Vdc led flashing light	■	■
Configuration of programmable functions	display and navigation keys	display and navigation keys
Force adjustment	■	■
Approach speed	adjustable	adjustable
Thrust on obstructions	adjustable	adjustable
Braking/Slowing down	adjustable	adjustable
Stop approach	adjustable	adjustable
Operation time	adjustable	adjustable
Automatic re-closing time	adjustable	adjustable
Compatibility with hydraulic motors	■	■
Heavy traffic management	■	■
Integrated datalogging (counters and recent alarm history)	■can be viewed on display	■can be viewed on display
FW update	■using Amigo SW and USBPROG	■using Amigo SW and USBPROG
Emergency stop	■	■
Safe closing (inversion)	■	■
Safety Test Facility (for automatic safety devices)	■	■
ODS - Obstacle Detection System (causes the gate to stop or to reverse movement when an obstacle is detected)	■	■
NIO - Antifreeze system	■	■
Magnetic loop detector	■with LAB9	■with LAB9