



EASY TO  
INSTALL



RELIABLE AND  
STURDY



ADVANCED KIT

230 V telescopic  
automation  
for swing gates  
with wing up to **3.5 m**

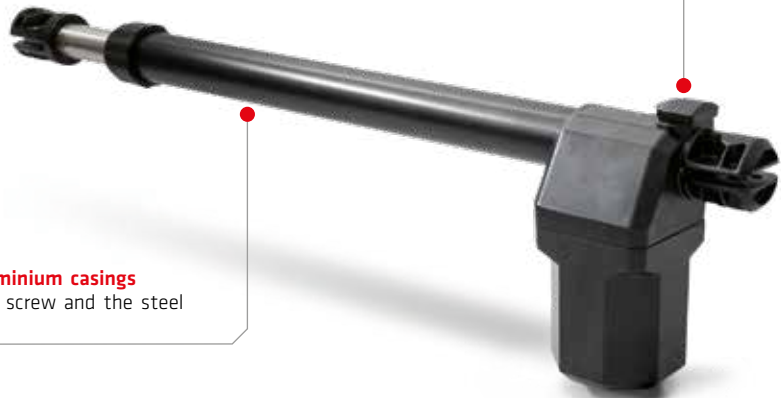
## Ditec **TS 35**

# Ditec TS 35

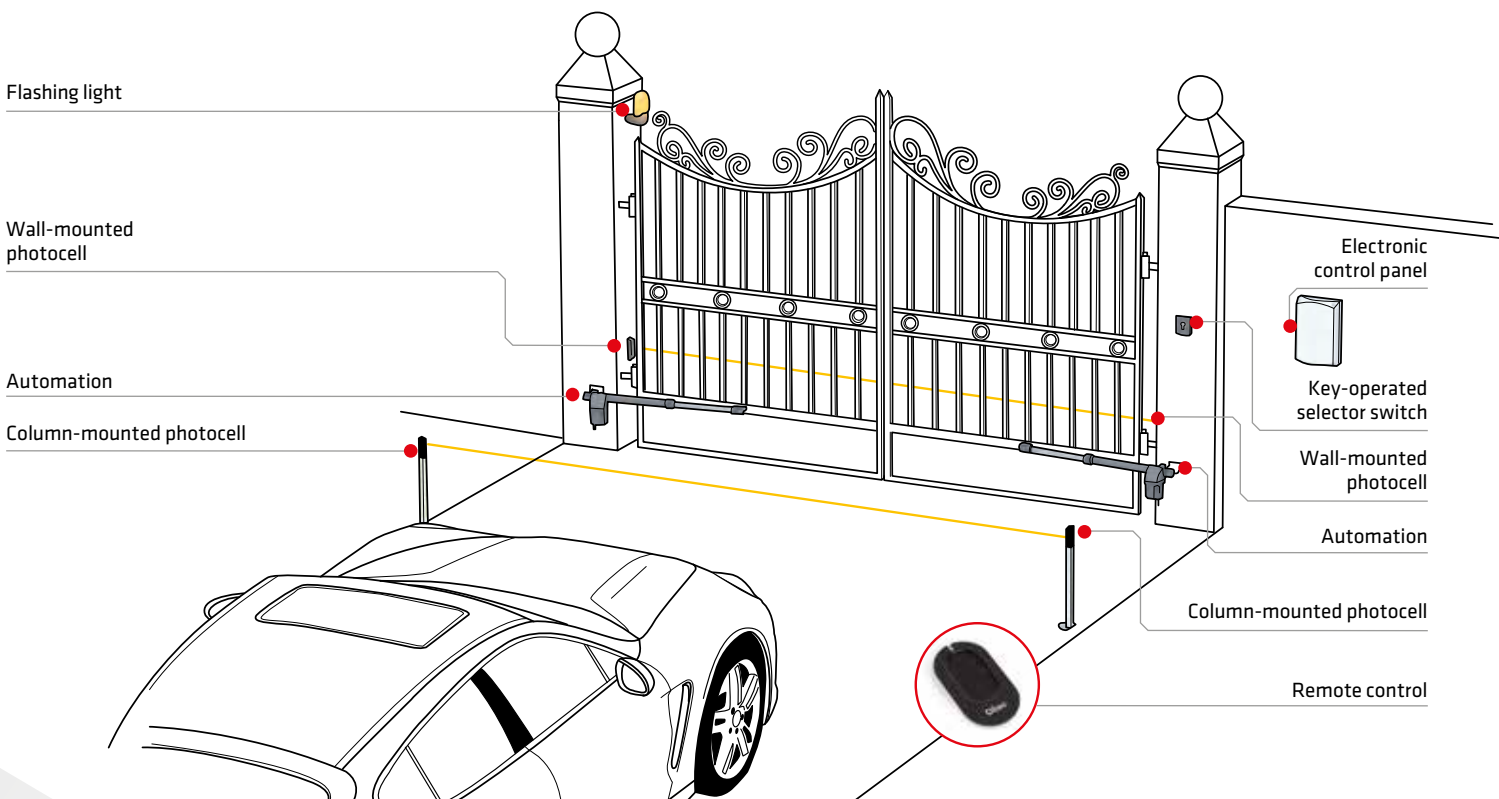
Ditec TS 35 is the irreversible telescopic operator for swing gates for frequent use and residential applications.

Motor release mechanism for opening or closing the gate manually in the event of a power outage

Sturdy die-cast aluminium casings protecting the steel screw and the steel and bronze gears



## Example of installation



Discover the entire range of Ditec brand products at [www.ditecautomations.com](http://www.ditecautomations.com)

**FULLY COMPLIANT WITH EUROPEAN DIRECTIVES AND STANDARDS**

- 2014/30/EU - EMCD - Electromagnetic compatibility directive
- 2014/53/EU - RED - Radio equipment directive
- 2006/42/CE - Machinery Directive - (Annex II-B; Annex II-A; Annex I-Chapter 1)





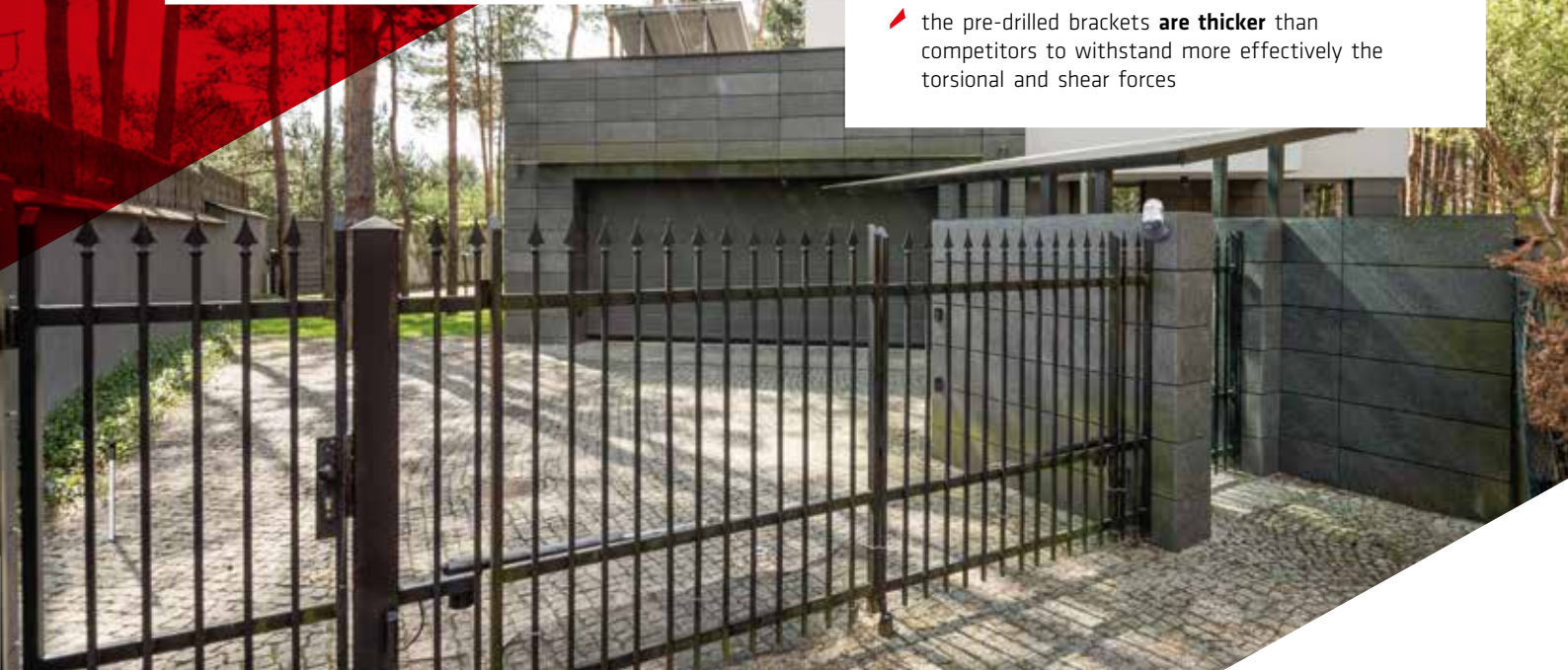
## EASY TO INSTALL

Quick to install, in just three simple steps: with the gate closed, fix the motor onto the pillar using the pre-drilled bracket plate, extend the telescopic arm and fasten it to the gate wing.



## RELIABLE AND STURDY

- ▶ the use of **stainless steel** for the motor shaft, gears and screw ensures superior durability
- ▶ ball bearings for **smooth operation** and powerful motor guarantees **high thrust force**
- ▶ configurable **deceleration** settings for both opening and closing cycles
- ▶ the pre-drilled brackets **are thicker** than competitors to withstand more effectively the torsional and shear forces



## The KITS

that make  
the difference



Discover the advanced functions available when using Ditec TS 35 and Ditec LCA control panels together with Ditec control and security accessories:

- ▶ **LIN2 compact photocells** adjustable beam direction
- ▶ **Ditec ZEN remote controls** with rolling code or AES-128 Encrypted protocol, with literally billions of billions of possible combinations to make cloning impossible
- ▶ **Ditec FLM multi-voltage flashing light** with built-in flashing circuit and with a choice of white, blue, green, yellow or orange signal light colours (only included in complete kit versions)



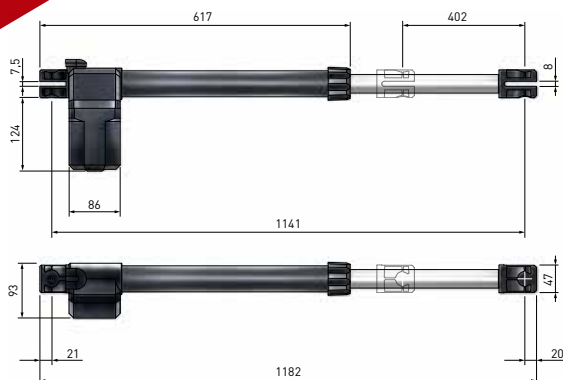
## Ditec LCA

new universal control panels  
for 230 V motors

- ▶ **menu with configuration wizard (Wizard WZ)** to configure the control panel quickly and simply during initial setup: just choose the operating logic, the number of gate wings and whether or not to enable automatic closing, memorize the remote controls, and you're ready to go!
- ▶ **pre-configured operating logics:** automatic operation with or without deceleration at end of travel, timer-controlled operation with or without deceleration at end of travel, and timer-controlled operation with force limitation
- ▶ in case of specific needs, installers can adjust **more than 100 parameters**, using the easy-to-use menu, the display and the navigation buttons
- ▶ **Green Mode** to save energy and money when control panel is in standby state
- ▶ **integrated diagnostics** with counters and recent alarms log (shown on the control panel display)



See the dedicated  
documentation for more  
information on control panels



\* TS35ACD: right motor  
TS35ACS: left motor

## TECHNICAL SPECIFICATIONS

DESCRIPTION	TS35ACD - TS35ACS *
Electromechanical actuator	irreversible
Maximum load	400 kg x 1.5 m 300 kg x 3.5 m
Motor power feed	230 Vac - 50 Hz
Max power	330 W
Max absorption	1.5 A
Max thrust	3500 N
Opening speed	18 s ± 22 s / 90°
Maximum stroke	400 mm
Actuator maximum opening	110°
Intermittent operation	S2 = 10 min / S3 = 30%
Service class	frequent, up to 100,000 cycles
Release system for manual opening	key-operated
Operating temperature	-20°C / +55°C in standard conditions (-35°C ÷ +55°C with NIO system)
Protection rating	IP33
Weight (kg)	4
Control panel	LCA70 or LCA80

## MAIN FUNCTIONS OF THE SYSTEM

DESCRIPTION	TS35ACD - TS35ACS *	TS35ACD - TS35ACS *
Control panel	LCA70 for 1 or 2 230 Vac motors with built-in radio	LCA80 for 1 or 2 230 Vac
Radio frequency	433.92 MHz as standard 868.35 MHz with ZENPRS or with BIXPR2	433.92 MHz with ZENRS or with BIXR2 868.35 MHz with ZENPRS or with BIXPR2
433MHz/868MHz interchangeable receiver module	■	■
Motor power supply	230 Vac - 50 Hz	230 Vac - 50 Hz
Alimentazione motore	230 Vac - 50 Hz; 2 x 2 A max; 1 x 4 A max	230 Vac - 50 Hz; 2 x 2 A max; 1 x 4 A max
24 Vdc and 24 Vac accessories power supply	0.3 A	0.5 A
Stroke control	end stop detection and time calculation	end stop detection and time calculation
Limit switch provision	■	■
Energy saving	■	■
Operating temperature	-20°C ÷ +55°C in standard conditions (-35°C ÷ +55°C with NIO enabled)	-20°C ÷ +55°C in standard conditions (-35°C ÷ +55°C with NIO enabled)
Control panel protection level	IP55	IP55
Control panel dimensions (mm)	187x261x105	187x261x105
Opening control	shared with step-by-step control, which can be selected via display	■
Partial opening control	■	■
Close control	shared with emergency stop, which can be selected from the display	■
Stop control	via radio or shared with partial opening control, which can be selected from the display	■
Step-by-step control	■	■
Hold-to-run control	■	■
Automatic closing contact management	shared with partial opening control, selected via display	■
Flashing light	230 Vac 25 W max	230 Vac 25 W max
Electrically operated lock	12 Vac 15 W max	12 Vac 15 W max
8.2 KΩ-resistance safety edge	■with accessory	■during opening and closing (terminal connectors already integrated in the control panel)
24 Vdc number of configurable outputs	1	2
- gate-open warning light (ON/OFF)	■	■
- gate-open warning light with proportional blink rate	■	■
- courtesy light	■	■
- 24 Vdc led flashing light	■	■
Configuration of programmable functions	display and navigation keys	display and navigation keys
Force adjustment	■	■
Approach speed	adjustable	adjustable
Thrust on obstructions	adjustable	adjustable
Braking/Slowing down	adjustable	adjustable
Stop approach	adjustable	adjustable
Operation time	adjustable	adjustable
Automatic re-closing time	adjustable	adjustable
Compatibility with hydraulic motors	■	■
Heavy traffic management	■	■
Integrated datalogging (counters and recent alarm history)	■can be viewed on display	■can be viewed on display
FW update	■using Amigo SW and USBPROG	■using Amigo SW and USBPROG
Emergency stop	■	■
Safe closing (inversion)	■	■
Safety Test Facility (for automatic safety devices)	■	■
ODS - Obstacle Detection System (causes the gate to stop or to reverse movement when an obstacle is detected)	■	■
NIO - Antifreeze system	■	■
Magnetic loop detector	■with LAB9	■with LAB9