



STURDY



SAFE



READY TO USE

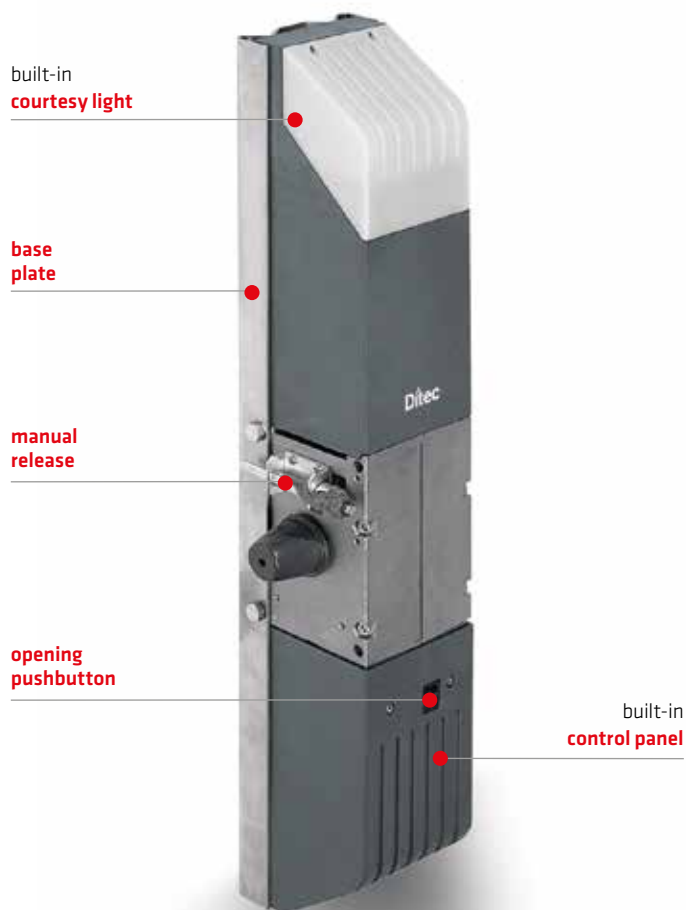
Automation  
system for  
up-and-over doors  
with counterweights

# Dítec **BOX**

# Ditec BOX

Ditec BOX is the perfect solution for automating your **up-and-over garage door**. With 1 or 2 gearmotors it can move both up-and-over doors with counterweights with a standard curtain, and nonprotruding or folding doors. Easy to install, **it automates doors up to 7 m<sup>2</sup> with a single operating device and up to 12 m<sup>2</sup> with 2 motors in parallel.**

It is housed in an ABS cover and comes with a courtesy light, which automatically turns on when it receives a command to open.



## INSTALL THE AUTOMATION SYSTEM in less time

- the automation system is designed to enable **and easy mounting**, avoiding any structural changes to the door
- manufactured ready for installation with a **built-in control panel and an assembled limit switch**
- simple and easy-to-program control panel** with dip switches and trimmers that adjust opening and closing speed, automatic closing time and thrust on obstruction
- LEDs are built into the control panel** for error and function diagnostics
- manual release** by means of an internal lever or with a key from outside. A metal-cord **release system** is also available to connect to the handle on the wing (optional)



## STURDY AND RELIABLE automation

- the reduction system and relative steel gears work with permanent lubrication are inserted into sturdy aluminium die castings.
- motor protected by an internal temperature probe
- gearmotor in die-cast aluminum and steel fixing plate, a system designed to withstand mechanical stress over time, even in the most severe conditions.
- insulation class 3 (SELV)

## FULL COMPLIANCE WITH EUROPEAN DIRECTIVES AND STANDARDS

- 2014/30/EU - EMC** - Electromagnetic Compatibility Directive
- 2014/53/EU - RED** - Radio Equipment Directive
- 2006/42/CE** - Machinery Directive - (Annex II-B; Annex II-A; Annex I-Chapter 1)



**24V**  
ENCODER

### 24 Vdc

The 24 Vdc virtual-encoder technology enables constant electronic control of impact forces and immediate obstruction detection, ensuring that the operating device stops or that motion is reversed (if configured), and the possibility to regulate opening and closing speeds.



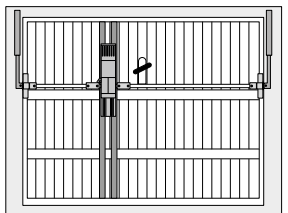
### READY TO USE

Complete automation system with courtesy lights, fastening base and pre-wired key release, built-in control panel with incorporated radio receiver and pre-assembled limit switch. Integrated pushbutton.

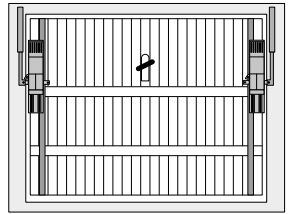


Discover the entire range of Ditec brand products at [www.ditecautomations.com](http://www.ditecautomations.com)

## Example of installation



with 1 gearmotor



with 2 gearmotors

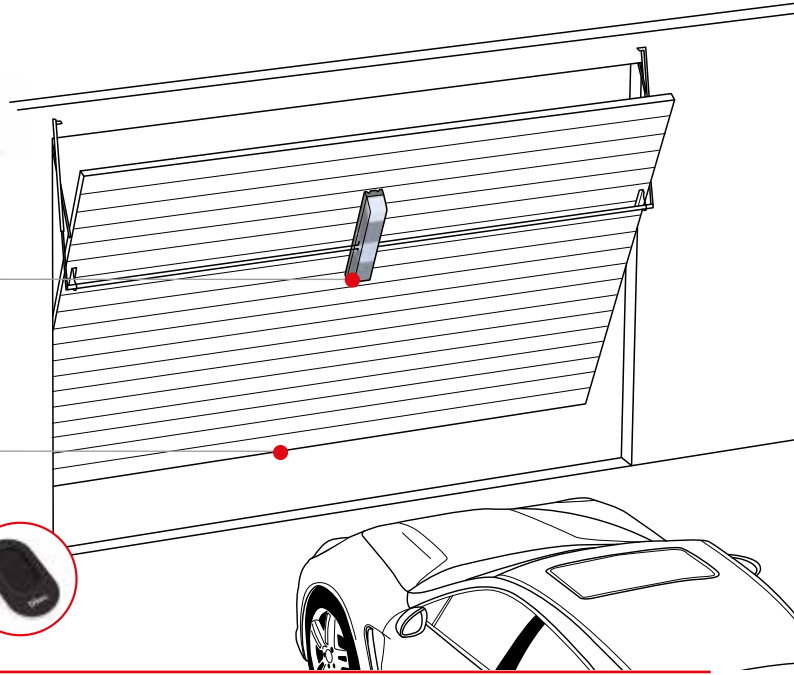
flashing light



automation

sensitive edge

remote control



### SPECIFIC ACCESSORIES



▶ Pair of straight arms



▶ Pair of curved arms



▶ Set of transmission accessories for central mounting (max curtain width 3.4 m)



▶ Release system  
Cord-release system for connection to handle



▶ Motor fastening base (length 2.5 m)



▶ Limit switch unit



▶ Grooved bush with dowel

## TECHNICAL SPECIFICATIONS

DESCRIPTION	BOX 3EH
Electromechanical actuator	for up-and-over doors with counterweights
Stroke control	encoder + rotary limit switch
Maximum capacity	7 m <sup>2</sup> (1 motor) 12 m <sup>2</sup> (2 motors in parallel)
Service class	3 - frequent
Intermittent operation	S2 = 30 min S3 = 50%
Power supply	24 Vdc
Power input	8 A
Torque	300 Nm
Opening time	15÷30 s
Release system for manual opening	lever / key
Operating temperature	-20°C ÷ +55°C
Protection rating	IP 40
Product dimensions	660x100x120 mm
Control panel	E1HBOX (built-in)

## MAIN FUNCTIONS OF THE SYSTEM

DESCRIZIONE	E1HBOX
Description	for 1 24 Vdc motor (or 2 in parallel) with built-in radio
Mains power supply	230 Vac - 50/60 Hz
Batteries	■ (optional)
Number of motors	1
Motor power supply	24 Vdc / 8 A
Accessories power supply	24 Vdc / 0.3 A
Flashing light	24 Vdc
Gate-open warning light	analogue
Courtesy light	■
Limit switch provision	■
Encoder	■
Force setting	automatic
ODS - Obstruction detection system	■
Speed setting	■
Braking/slowing down	■
Open control	■ (with dip-switch)
Close control	■
Timer-controlled automatic closing	■
Inching control	■
Hold-to-run command	■
Emergency stop	■
Emergency reverse	■
Operating temperature	-20°C ÷ +55°C

