



EASY TO  
ASSEMBLE



ELEGANT



VERSATILE

**67 mm**  
automation for  
internal sliding  
doors up to **55 kg**

Ditec **OLLY C**

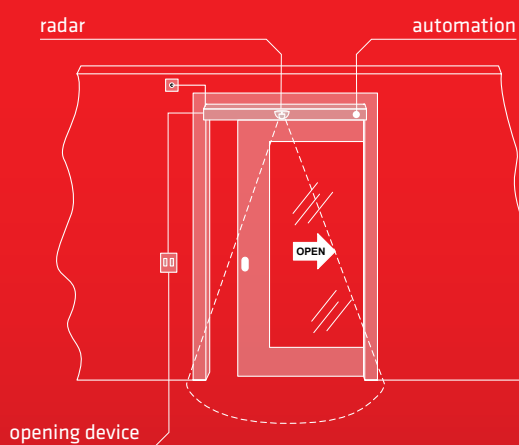
# The automation which simplifies your life

Designed to be installed on commercial guides for concealed doors, Ditec OLLY C is the aesthetic solution (only 67 mm tall!) for making automatic residential doors up to **40 kg in weight** (1 wing) and **55 kg in weight** (2 wings) and that don't require any building work.

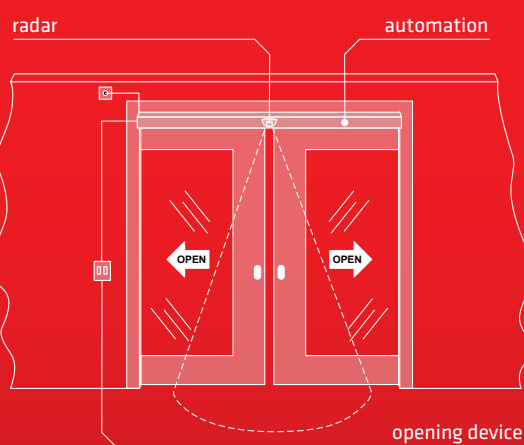
Ditec OLLY C is designed for residential and commercial use and can be used in domotic systems, where there is the option of different working modes and adjustments.

## Examples of installation

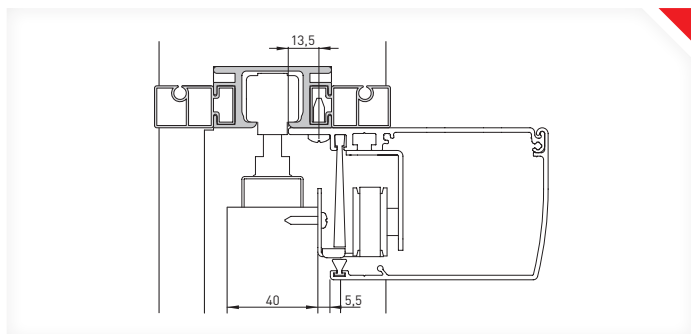
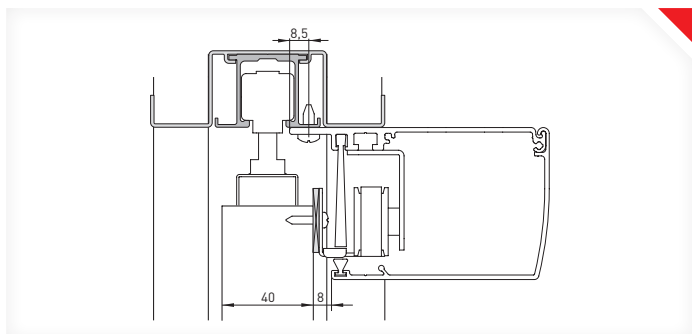
### SINGLE WING



### DOUBLE WING



## EXAMPLES OF COMPATIBILITY WITH COMMERCIAL COUNTER FRAMES





## EASY TO ASSEMBLE

- ▶ Automation with PLUG&PLAY solution
- ▶ Essential and intuitive, just a few screws for fastening
- ▶ Doesn't require any building work
- ▶ Two practical assembly sets: automation is provided in two possible sets to create a sliding door with 1 wing (up to 1,000 mm) or 2 wings (up to 2,000 mm)



## ELEGANT

- ▶ Neutral, sophisticated design
- ▶ Modern thanks to its 67 mm cover height



## VERSATILE

- ▶ Compatible with all the commercial guides for concealed doors
- ▶ Multiple functions such as PULL&CLOSE, activated by sensors and remotely controlled
- ▶ LOW ENERGY mode with wide range of adjustments to the weight of the wing
- ▶ Safety monitoring when opening and closing
- ▶ Wide range of accessories to adapt it to any requirement

## SPECIFIC ACCESSORIES



- ▶ **PID24**  
Proximity sensor



- ▶ **OCL**  
Complete radio receiver kit for cabling and transmitter



- ▶ **COM501HCV**  
Mechanical function selector switch with knob



- ▶ **PFP1**  
Rectangular elbow button



- ▶ **PFP2**  
Stainless steel rectangular elbow button



## TECHNICAL SPECIFICATIONS

### OLLY C

Description	electromechanical actuator for internal sliding doors
Special uses	disabled use
Stroke control	encoder
Maximum capacity	40 kg (1 door wing) 55 kg (2 door wings)
Power supply	230 Vac / 50-60 Hz
Power absorption	0.2 A
Torque/Thrust	30 N
Opening speed	0.4 m/s (1 door wing) 0.8 m/s (2 door wings)
Closing speed	0.2 m/s (1 door wing) 0.4 m/s (2 door wings)
Maximum opening angle	2000 mm
Operating temperature	-20°C/+55°C
Protection rating	IP 20
Produce dimensions mm (H x W x L)	67 x114 x L
Control panel	EL51 (incorporated)

## MAIN FUNCTIONS

### EL51

Description	control panel for 1 24 Vdc motor
Mains power supply	230 Vac / 50-60 Hz
Energy saving	energy saving when in stand-by and in use
Number of motor	1
Motor power supply	24 Vdc / 1.8 A
Accessories power supply	24 Vdc / 0.36 A
Electro-mechanical lock	24 Vdc / 0.5 A
Kinematics management with Encoder	■
Obstacle detection (causes stop while opening or reverse while closing)	■
Push opening (PUSH&GO)	■
Pull closing (PULL&CLOSE)	■
Opening control	■
Closing control	■
Timer-controlled automatic closing	0 - 30 s
Monitored emergency reverse	■
Opening safety function (speed limiting)	■

