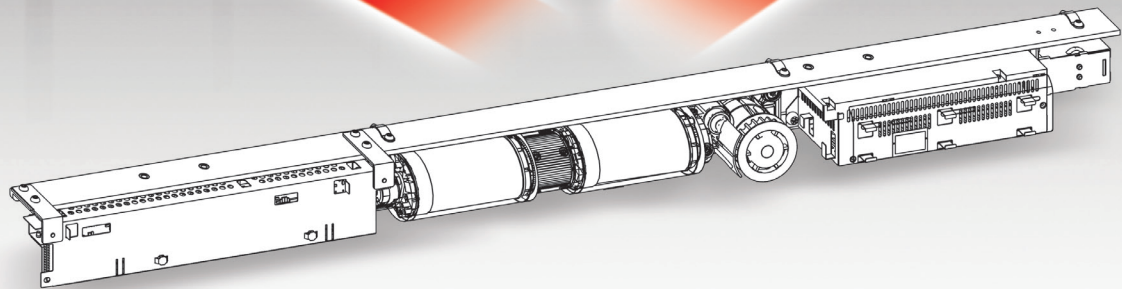
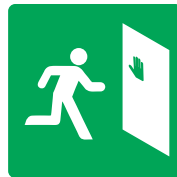


Ditec

OPEN YOUR WORLD



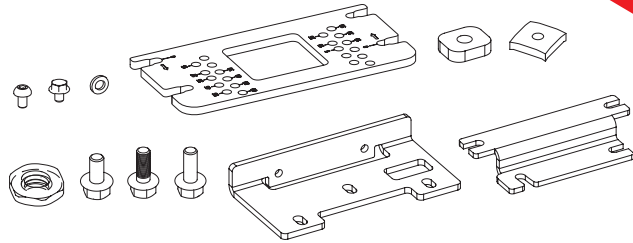
HIGH TECH & EASY WAY:
the fast, intelligent solution
for transforming every entrance
into a Ditec door

Ditec
UPGRADE KIT
EASYFIT

All around applications



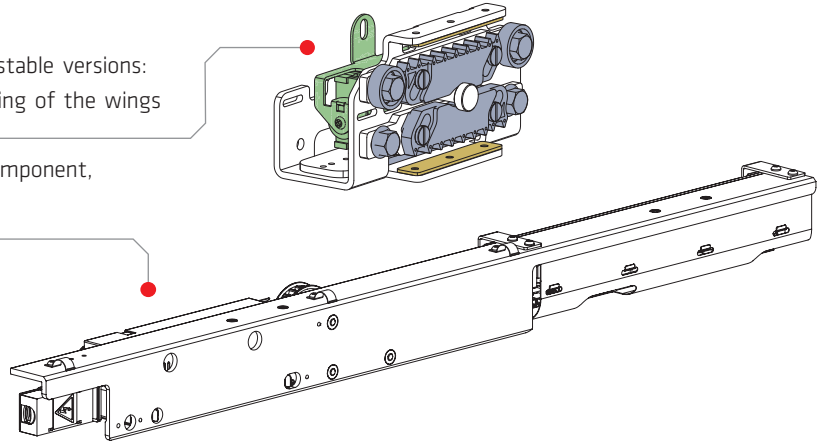
- Ditec Easyfit is the **perfect combination** for **over 50 models** of automatic door
- 2 universal kits + 6 mounting bracket kits for the **quick, optimised management of both the order and the warehouse**



Easy to install



- Belt locking device in standard, panic and bistable versions: **simple but effective**, it guarantees the locking of the wings **without any installation problems**
- **PLUG & PLAY connectors** for every main component, including the access and safety sensors
- **Pre-assembled** main components
- **Maintenance** of the wings, carriages and sliding track **of the original automation**



Certified

- The solution that **updates the operating unit** in line with Standards DIN 18650 and EN 16005, and all the AutSchR requirements
- **TÜV certification** for both standard operating units and those dedicated to escape routes



Intelligent

- **SMART** start-up mode with **SELF-LEARNING** and **automatic detection** of:
 - Passage width and the weight of the wing
 - Stop device and type
 - 24V Vdc UPS batteries
- Digital programming of **over 90 parameters**

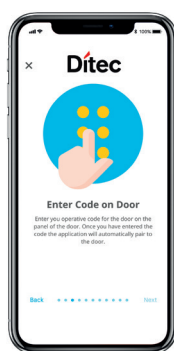
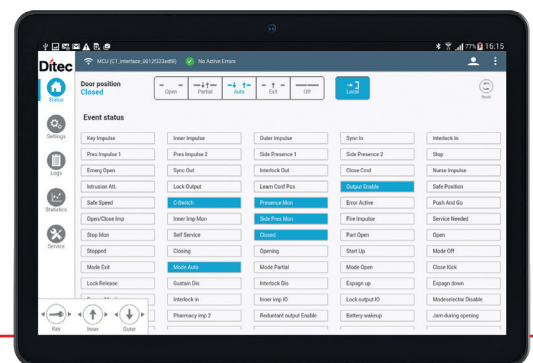
Smart things



SLIDER CONFIGURATION TOOL

Software for tablets and/or mobile phones, which the **INSTALLER** can use to:

- **Configure every parameter**, even with the cover closed
- Download and upload **predefined parameter configurations**
- Manage the **events, errors and statistics log**
- Manage and schedule **maintenance**



DITEC DOOR CONNECT

App (Apple and Android), which the **END USER** can use to:

- **Manage the selector functions**, including **RESET**
- **Download and send the events, errors and statistics log**
- **Manage other app users** (up to 7)
- **Manage parameters** relating to partial opening control and closure timing
- **People count and flow control management**