

Ditec

OPEN YOUR WORLD



QUALITY &
RELIABILITY



UNIVERSAL



EASY TO
ASSEMBLE

Automation
for swing doors
up to **200 kg**

Ditec **DAB105**

The intelligent automation which simplifies your life, anywhere

The Ditec DAB105 electromechanical automation for swing doors makes access **condominiums, residential complexes, offices and public spaces** easier for all categories of user while **improving safety, reducing contact risk and minimising noise**.



MODULAR AND VERSATILE

Ditec DAB105 is a modular and intelligent solution offering the perfect response for the needs of any application. The ESA and ESE auxiliary configuration cards may be used to customise the automation with numerous additional functions.

FUNCTIONS OF DAB905ESE CARD

- Enable use of electro-mechanical lock
- Enable use of COM400MHB and COM400MKB function-selectors
- Output connection for step-by-step operation
- Connection for installation of second opening control device (sensor or button)
- Priority-opening connection (to bypass night closure function, for example)
- Enable battery use
- Enable use of operator unit on fire doors

FUNCTIONS OF DAB905ESA CARD

- Connection of two or more monitored REM safety sensors (in compliance with EN 16005)
- Disable safety sensors within range of angles from 45-90° during opening (e.g. in case of installation next to lateral wall)
- Output contact for managing door status (open/closed) indicator device
- Operator error/alarm signal



Universal operation

Ditec DAB105 is a powerful and quiet solution which, with an extensive choice of movement arms and specific accessories, offers the perfect answer to the needs of any installation. **Ideal for high traffic entrances** and also perfect for applications which also require **emergency exit** or **fire door** functionality.



SMOOTH, PRECISE ACTION

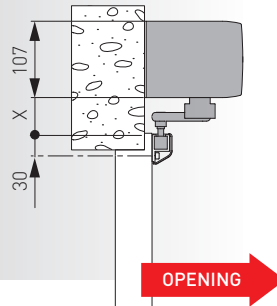
Installed on double wing swing doors, Ditec DAB105 ensures reliable and precise operation, with synchronised control ensured by the DAB905SYN cable, which allows different units installed on each of the two wings to be managed together.

The DAB805CMP cover gives the installation a neat and attractive visual appearance.



▶ **DAB805PLA**
Sliding movement arm

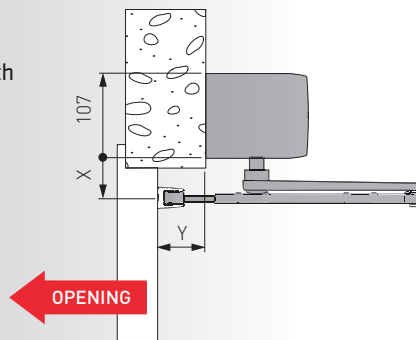
| X | |
|-------|--------|
| MIN | MAX |
| 50 mm | 120 mm |



▶ **DAB805PSAF**
Articulated movement arm for fire doors (with RISE and Warrington certification)

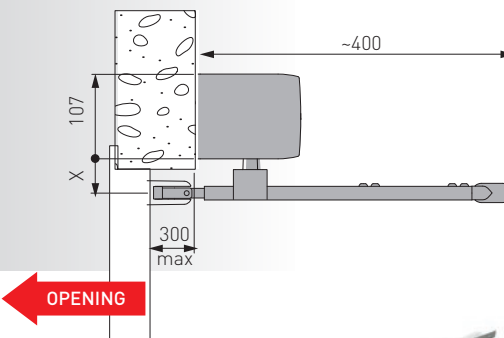
| X | |
|-------|-------|
| MIN | MAX |
| 48 mm | 98 mm |

| Y | |
|------|--------|
| MIN | MAX |
| 0 mm | 305 mm |



▶ **DAB805PSA**
Articulated movement arm

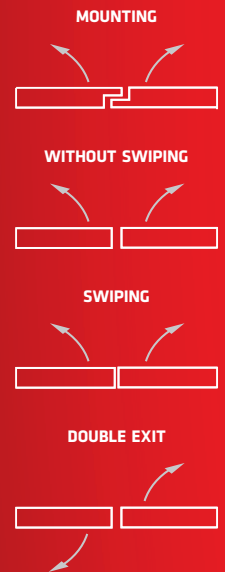
| X | |
|-------|--------|
| MIN | MAX |
| 30 mm | 100 mm |



▶ **DAB805PLAT**
Articulated movement arm with three levers



▶ **DAB805PLAB**
Sliding "break-out" arm for use in escape routes



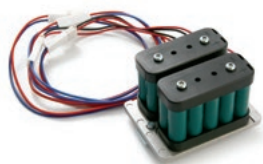
Accessories and components



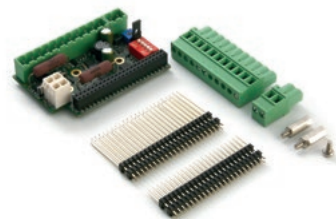
- ▶ **COM400MHB**
Mechanical knob
function-selector switch



- ▶ **COM400MKB**
Mechanical key-operated
function-selector switch



- ▶ **DAB905BAT**
UPS battery kit



- ▶ **DAB905ESE**
Auxiliary card
for configuring:
electro-mechanical lock,
function-selector,
batteries and fire safety
functions



- ▶ **DAB905ESA**
Auxiliary card
for configuring:
safety sensors
and alarm and
door status signals



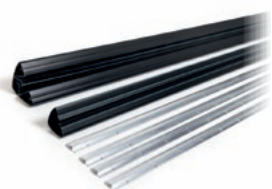
- ▶ **DAB805CMP**
Covers joint,
L = 950 mm,
may be cut to measure



- ▶ **DAB905SYN**
Synchronisation cable
L = 3000 mm



- ▶ **DAB805SE2**
DAB805SE5
DAB805SE7
20, 50 or 70 mm
shaft extension kit



- ▶ **DAB805FP20**
Finger protection,
for outdoor use,
L = 2015 mm (EN 16005)



- ▶ **REM90**
Single-beam detection sensor
in enclosure L = 900 mm



- ▶ **REM110**
Double-beam detection sensor
in enclosure L = 1100 mm



- ▶ **DLR02-DLR1L-DLR1R**
Pair of laser approach and
safety sensors on left and right
hand hinge sides (DLR02),
or single sensor for left hand
installation (DLR1L) or right
hand installation (DLR1R)

A certified product

FULL COMPLIANCE WITH EUROPEAN
DIRECTIVES AND STANDARDS



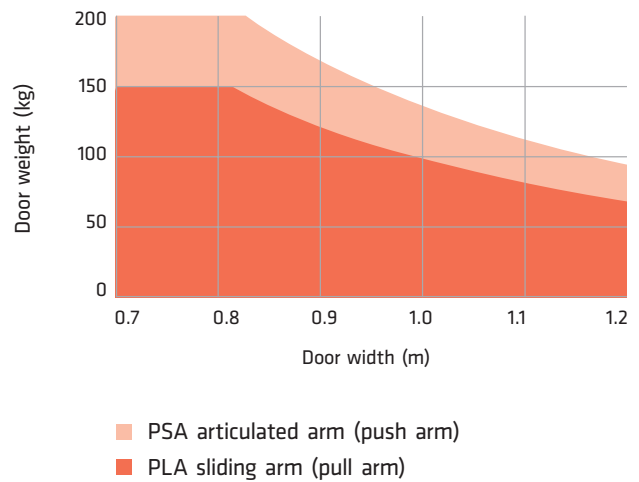
- ▶ **2006/42/EC** - Machinery Directive (MD)
- ▶ **2014/65/EU** - Electromagnetic Compatibility Directive (EMCD)
- ▶ **2011/65/EU and 2015/863/EU - RoHS 2**
Restriction of Hazardous Substances
- ▶ **EN 16005** - Power operated pedestrian doorsets
- ▶ **EN & IEC 60335-1; EN & IEC 60335-2-103** - Safety of electrical appliances
- ▶ **EN 61000-6-2; EN 61000-6-3** - Electromagnetic compatibility
- ▶ **EN ISO 13849-1** - Safety of machinery
- ▶ **EN 1634-1** - Fire resistance
- ▶ **RISE** - Certification for use on fire doors
- ▶ **Warringtonfire** - Test report on use on fire doors

The ideal solution for the needs of any application

✓ Quality & reliability

Manufactured with premium components, the Ditec DAB105 automation for swing doors offers outstanding, durable performance:

- Maximum capacity up to **200 kg**
- **24 Vdc** gear motor
- **Encoder** kinematics control
- Closing action **with spring and motor**
- **Settable** closing force and opening delay



🌐 Universal

Modern buildings require flexibility and adaptability to any need. Ditec DAB105 responds to them, combining all the following capabilities in a single product:

- **PUSH&PULL** modes
- **PUSH&GO** and **servo-assistance** functions
- **LOW ENERGY** mode
- **Step-by-step** function enabled with key selector
- ESE and ESA **auxiliary cards** for managing a wide number of additional functions for specific applications



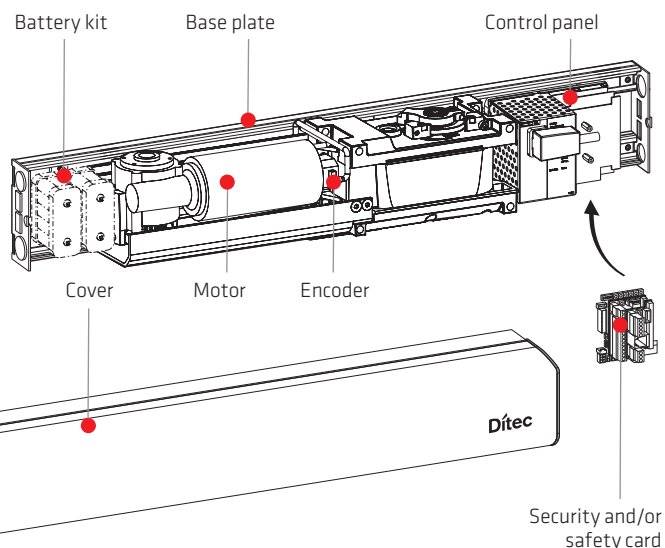
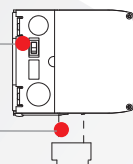
👍 Easy to assemble

The simple, quick installation procedure minimises installation times and maximises safety:

- **Simple**, precise settings with potentiometer dials and dip-switches
- **Automatic self-acquisition** process
- 10 sets of **pre-configured parameters**
- **Pre-drilled mounting plate** for error-free installation

ON/OFF/HOLD OPEN
function-selector

Shaft extension kit



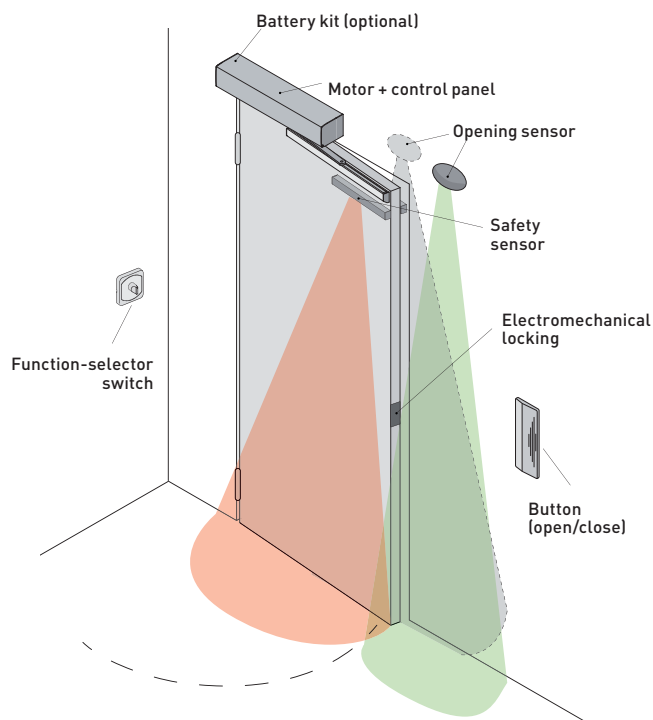
TECHNICAL SPECIFICATIONS

| DAB105 | |
|---------------------------------------|--|
| Description | automation for swing doors |
| Opening | motor opening, spring and motor closing |
| Product dimensions (HxWxL) | 111x131x720 mm |
| Product weight (operator only) | 13.9 Kg |
| Maximum capacity (see diagram on use) | 200 kg with the articulated arm 150 kg with the sliding arm |
| Endurance test | 1 million cycles |
| Stroke control | encoder |
| Power supply | 100 to 240 Vac, -15%/10%; 50/60 Hz |
| Power consumption (max.) | 75W |
| Auxiliary power | 400 mA - 24 Vdc |
| Electro-mechanical locking device | 24 Vdc max 250 mA 12 Vdc max 500 mA |
| Door wing width | articulated arm 550 - 1200 mm (1200 mm for fire doors with DAB805PSAF) sliding arm 700 - 1200 mm |
| Door wing opening angle | 110° with push arm 110° with pull arm |
| Opening time (0 - 80°) | 3 - 6 s |
| Closing time (90° - 10°) | 3 - 6 s |
| Hold open time | 1.5 to 30 s |
| Operating temperature | -20°C / +45°C |
| Protection rating | IP20 |

OPERATIONAL FUNCTIONS

| | |
|---|------------|
| ESE configuration card | ■ optional |
| ESA configuration card | ■ optional |
| Automatic mode | ■ |
| Door-closer mode | ■ |
| LOW ENERGY mode | ■ |
| Power Assist mode | ■ |
| PUSH&GO mode | ■ |
| Integrated basic selector | ■ |
| Key selector | ■ optional |
| Knob selector | ■ optional |
| Synchronised double wing management | ■ optional |
| Monitored presence sensor control (compliant with EN 16005) | ■ |
| Battery operation | ■ optional |
| Priority opening control | ■ optional |
| Door-open status signal output | ■ optional |
| Operator error/alarm signal | ■ optional |
| Usable with fire resistant doors | ■ |

EXAMPLE OF INSTALLATION



Cert. No. 0957/6

DITEC S.p.A.

Largo U. Boccioni, 1
21040 Origgio (VA) • Italy

Part of ASSA ABLÖY

Tel +39 02 963911
Fax +39 02 9650314

info@ditecautomations.com
www.ditecautomations.com

P242B - 12/2022
Ditec DAB105