

Dítec



Automatic
pedestrian
doors

Kits and assembled
operators

Catalogue PM-EN-May 2026

www.ditecautomations.com

EN

Automatic pedestrian doors Kit and assembled operators

| | | Page |
|---|---|------|
| 01 | Automation and systems for sliding doors | |
| interior sliding doors | Ditec OLLY C | 3 |
| | Ditec CIVIK | 5 |
| commercial sliding doors | Ditec DAS107PLUS | 9 |
| | Ditec DAS200 | 20 |
| | Ditec DAS200HD | 25 |
| | Ditec DAS200T | 32 |
| emergency exit systems | Ditec DAS200RG Redundant | 44 |
| | Ditec DAS200TRG Redundant | 45 |
| | Breakout systems | 50 |
| sliding doors for special applications | Ditec VALOR HS | 56 |
| | Ditec VALOR HH | 61 |

Automatic pedestrian doors Kit and assembled operators

| | Page |
|---------------------------------------|------|
| 02 Automations for swing doors | |
| Ditec Sprint | 69 |
| Ditec DAB105 | 72 |
| Ditec DAB205 | 77 |
| Ditec DAB305 | 81 |
| 03 Accessories | |
| Slider Configuration Tool | 88 |
| Function-selectors | 89 |
| Ditec Door Connect | 90 |
| Sensors | 93 |
| Infra-red barriers | 98 |
| Control devices | 99 |
| Photocells and interlock | 101 |

Automatic pedestrian doors Kit and assembled operators

| | Page |
|--------------------------------------|------|
| 04 Frames systems | |
| Ditec PAMAC in glass | 104 |
| Ditec commercial frame system | 111 |
| Ditec PAM16 | 112 |
| Ditec PAM30 | 118 |
| Ditec ALU48 | 126 |
| Vademecum | |
| | 134 |



AUTOMATION AND SYSTEMS FOR SLIDING DOORS

Interior sliding doors

Ditec OLLY C

Ditec CIVIK

Commercial sliding doors

Ditec DAS107PLUS

Ditec DAS200

Ditec DAS200HD

Ditec DAS200T

Emergency exit systems

Ditec DAS200RG Redundant

Ditec DAS200TRG Redundant

Breakout systems

Sliding doors for special applications

Ditec Valor HS

Ditec Valor HH

Ditec OLLY C - Ditec CIVIK



Automation systems for interior sliding doors with one or two wings, versatile, silent, easy to install and with a clean, neutral look, thanks to the reduced-height cover and EURAS C0 silver finish.

The 24 Vdc gear motor with encoder ensures smooth, fluid movement that is completely safe.

The electronic panel and accessories make it possible to manage the kinematics of the door, offering various operating modes: PUSH&GO, PULL&CLOSE, sensor-based opening, push-button opening, or opening via radio using Ditec ZEN4 remote controls or a special radio function selector. Customers are sure to find the mode they require.

ELEGANT  VERSATILE  EASY TO ASSEMBLE 

Technical specifications of available models and main functions of the system

| | OLLY C | CIVIK | | EL51 |
|-----------------------------------|---|---|---|---|
| Description | electromechanical actuator for interior sliding doors | electromechanical actuator for interior sliding doors | Description | for 1 24 Vdc motor |
| Special uses | disabled use | disabled use | Mains power supply | 230 Vac / 50-60 Hz |
| Stroke control | encoder | encoder | Energy saving | energy saving when in stand-by and in use |
| Maximum capacity | 40 kg (1 wing) 55 kg (2 wings) | 60 kg (1 wing) 80 kg (2 wings) | Number of motors | 1 |
| Power supply | 230 Vac / 50-60 Hz | 230 Vac / 50-60 Hz | Motor power supply | 24 Vdc / 1.8 A |
| Power input | 0.2 A | 0.2 A | Accessories power supply | 24 Vdc / 0.36 A |
| Torque / Thrust | 30 N | 30 N | Electro-mechanical lock | 24 Vdc / 0.5 A |
| Opening speed | 0.4 m/s (1 wing) 0.8 m/s (2 wings) | 0.4 m/s (1 wing) 0.8 m/s (2 wings) | Kinematic management with Encoder | ■ |
| Closing speed | 0.2 m/s (1 wing) 0.4 m/s (2 wings) | 0.2 m/s (1 wing) 0.4 m/s (2 wings) | Detection of obstacles (causes stop while opening or reverse while closing) | ■ |
| Maximum opening | 2000 mm | 1610 mm | Push opening (PUSH&GO) | ■ |
| Operating temperatur | -20°C / +55°C | -20°C / +55°C | Pull closing (PULL&CLOSE) | ■ |
| Protection rating | IP 20 | IP 20 | Opening control | ■ |
| Product dimensions mm (H x W x L) | 67 x 114 x L | 75 x 130 x L | Closing control | ■ |
| Control panel | EL51 (built in) | EL51 (built in) | Timer-controlled automatic closing | 0 - 30 s |
| | | | Monitored emergency reverse | ■ |
| | | | Opening safety function (speed limiting) | ■ |



Designed for installation on commercially available runners for hideaway doors, Ditec OLLY C represents a great-looking solution for the automation of interior sliding doors.



EASY TO ASSEMBLE

- Basic and intuitive with just a few screws to put it together
- PLUG&PLAY automation system



ELEGANT

- Neutral, sophisticated design
- Modern thanks to its 67 mm cover height



VERSATILE

- Multiple functions such as PULL&CLOSE, activated via sensors and controlled remotely via radio
- Wide range of accessories to adapt to any requirements
- LOW ENERGY mode with wide range of wing weight adjustment

Full automation set for single or double wing interior sliding door

The set contains, in a single package, the necessary automation to make up an interior single or dual wing sliding door.

Consists of: 1 actuator complete with control panel + 1 transmission unit + brackets + mounting profile and cover, both made of anodised aluminium + brushes + belt and screws

| Article Code | Description of article |
|--------------|---|
| PMDOITOC10P | Full set L = 1000 mm for single wing max. width = 1000 mm |
| PMDOITOC20P | Full set L = 2000 mm for double wing max. width = 2000 mm |

Note: When opened, the automation reduces the transit opening size by 9 cm x 1 wing, 18 cm x 2 wings

Basic automation

| Article Code | Description of article |
|--------------|---|
| PMKOC1P | Fixed components kit for one wing consisting of an actuator complete with a control panel, transmission unit and brackets |
| PMKXL037K | Kevlar transmission belt, 20 m roll |

Specific accessories

| Article Code | Description of article |
|--------------|--|
| PMOCL | Radio receiver kit complete with cabling and transmitter |

Function-selectors

| Article Code | Description of article |
|--------------|--|
| PMCOM501HCV | Mechanical function-selector with handle operation |



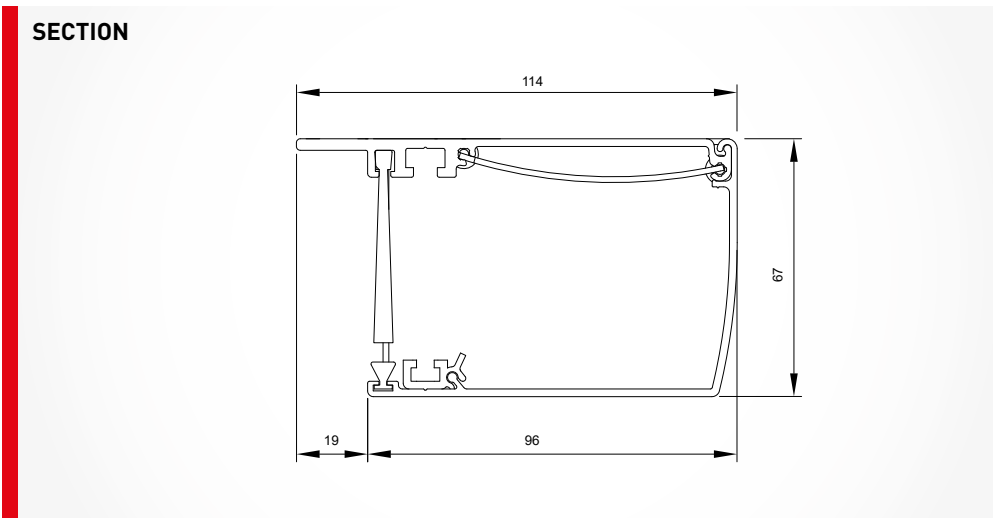
DOITOC10P



OCL



COM501HCV





DO IT



Easy to install and versatile with its multiple applications, Ditec CIVIK represents the ideal solution for all environments, such as offices and legal firms that want to convey elegance and refined style.



ELEGANT

- Sleek design
- Compact thanks to its 75 mm-high cover
- Brushed aluminium cover



VERSATILE

- Automation system suitable for generic frames, glass and wood wings
- PUSH&GO and PULL&CLOSE features
- Activation by sensors, pushbuttons or remote control (Ditec ZEN)



SAFE

- Monitoring safety sensors in opening and closing
- Internal LED indicating diagnostics and alarms
- LOW ENERGY mode with wide range of wing weight adjustment

Automation set (complete with trolleys) for single or dual sliding door

The set contains, in a single package, the necessary automation to make up a single or dual wing sliding door
 Consists of: 1 actuator complete with control panel + 1 transmission unit + brackets + EURAS C0 aluminium mounting profile and cover + runners

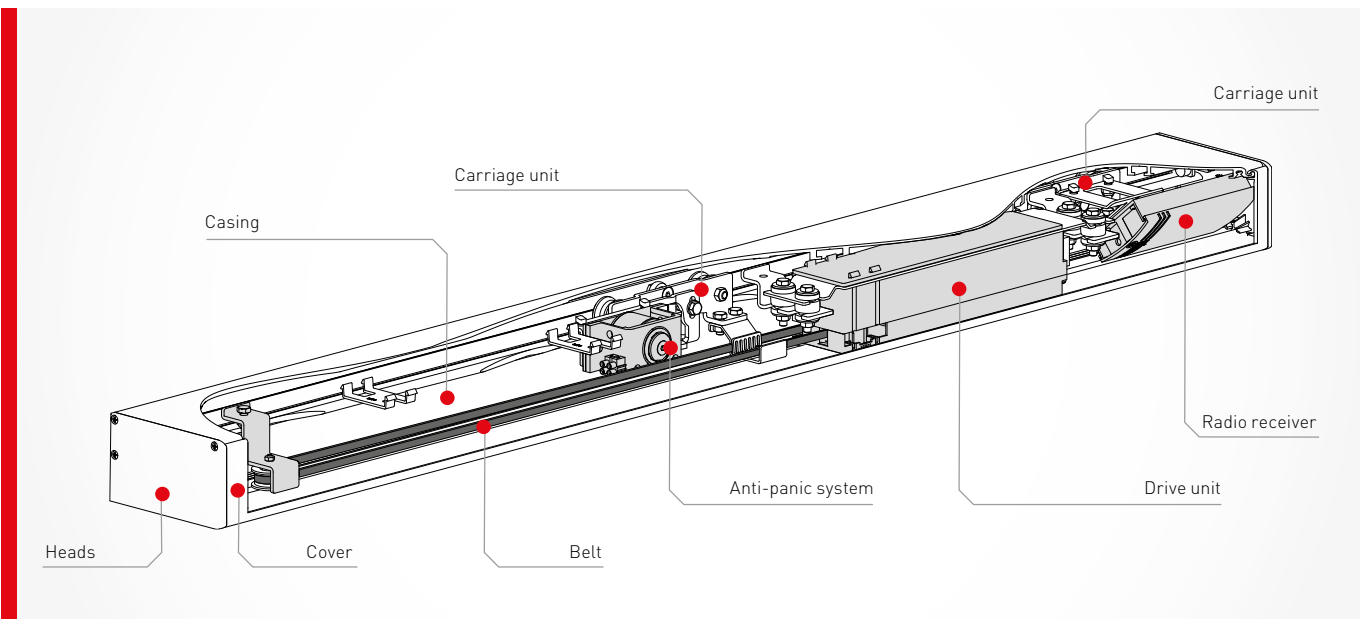
| Article Code | Description of article |
|--------------|---|
| PMDOITCVK22P | Full set L 2200 mm (may be reduced) for one wing 1100 mm max with 1060 mm max opening |
| PMDOITCVK33P | Full set L 3300 mm (may be reduced) for one wing 1650 mm max with 1610 mm max opening |
| PMKCIVIKGCL | Trolleys and components for the second wing |

Connections for movable glass wings to be combined with the DO ITs specified above to create the glass wing solution

CIVIKAC + 20AC1356 (mill finish aluminium connection profile for glass wing)

CIVIKAC + 20AC1356N (EURAS C0 aluminium connection profile for glass wing)

| Article Code | Description of article |
|--------------|---------------------------|
| PMCIVIKAC | Glass wing connection kit |



Ditec CIVIK

Automation for interior sliding doors

| Maximum capacities | |
|--------------------|---------|
| 1 wing | 2 wings |
| 60 Kg | 80 Kg |

KIT

Basic automation

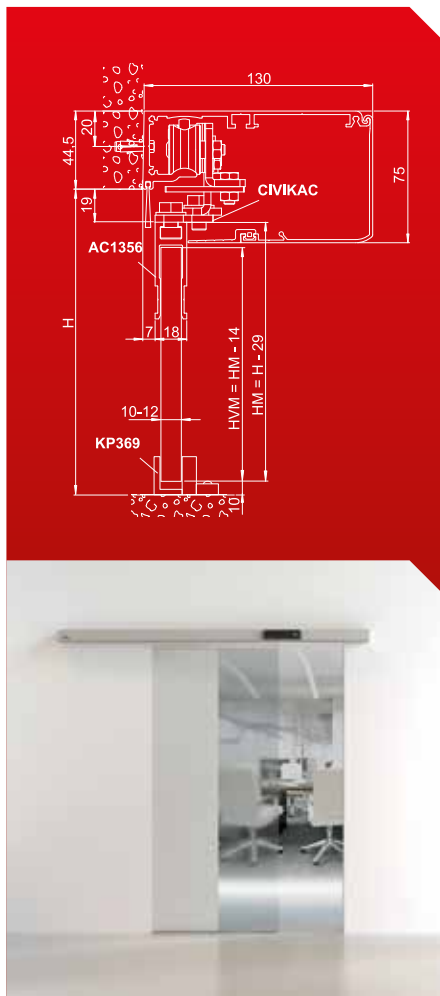
| Article Code | Description of article |
|--------------|---|
| PMKCIVIK1P | Fixed component kit for 1 CIVIK wing The kit contains, in one box, the components, bolts and screws required for creating an automation system, including: - Drive control unit - Transmission unit - Box head |
| PMKXL037K | Kevlar transmission belt, 20 m roll |
| PMV3760N66 | EURAS C0 casing profile |
| PMVSP25V25 | Seal brush (supplied as rod L = 2500 mm) |

Front cover

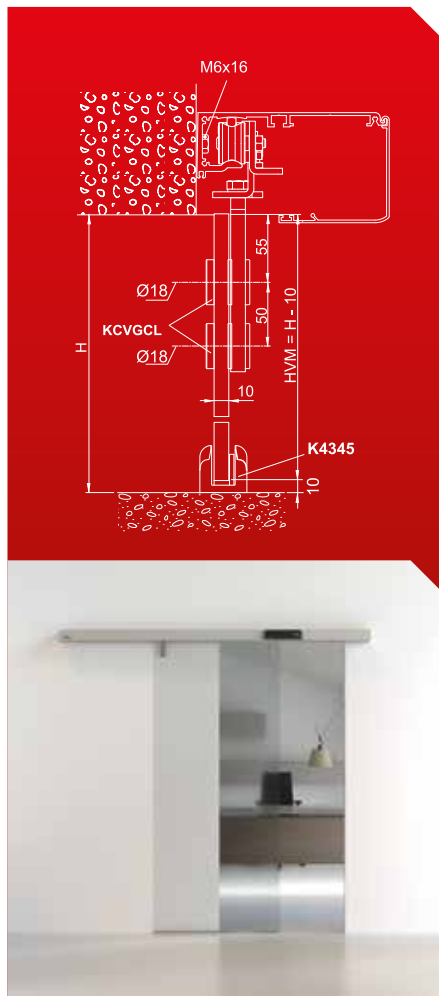
| Article Code | Description of article |
|--------------|--|
| PMV3759N66 | EURAS C0 cover profile |
| PMRGR351180 | Adjustable gasket for bottom side of cover (no. 4 rolls of 20 m) |

Installation example

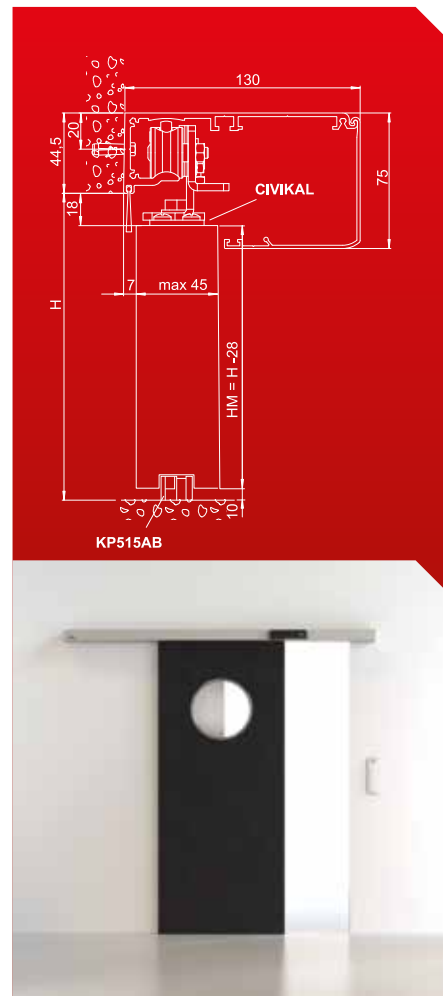
CIVIK WITH GLASS WING AND AC1356 CONNECTION



CIVIK WITH GLASS WING AND TECHNICAL CONNECTION



CIVIK WITH GENERIC FRAME



Ditec CIVIK

Automation for interior sliding doors

| Maximum capacities | |
|--------------------|---------|
| 1 wing | 2 wings |
| 60 Kg | 80 Kg |

Components for glass wings can be supplied separately with technical connections

| Article Code | Description of article |
|--------------|---|
| PMKCVGCL | Additional kit to install a glass wing complete with 2 connecting grippers and floor runner |

Specific accessories

| Article Code | Description of article |
|--------------|--|
| PMOCL | Radio receiver kit complete with cabling and transmitter |
| PMCIVIKLA | Anti-panic system complete with brackets |
| PMCIVIKAL | Wooden wing connection kit |

Function-selectors

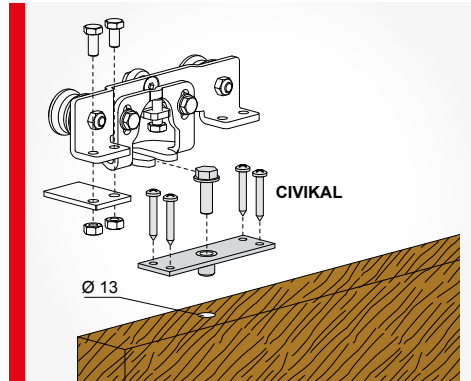
| Article Code | Description of article |
|--------------|--|
| PMCIVIK3P | Built-in sensor for manual - automatic - door-open operation |
| PMCOM501HCV | Mechanical function-selector with handle operation |

Floor runners

| Article Code | Description of article |
|--------------|---|
| PMKP515AB | Framed wing guide runner |
| PMKP369 | Glass wing guide runner |
| PMK4345 | Adjustable guide runner for glass wings |



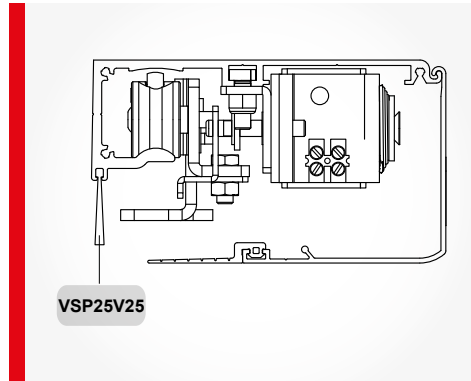
CIVIKLA



CIVIKAL



CIVIK3P



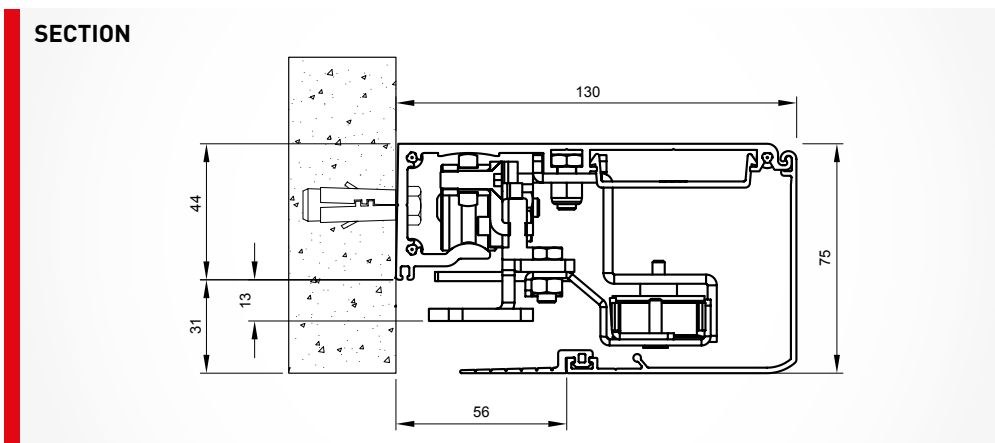
VSP25V25



COM501HCV



KCIVIK1P





Ditec DAS107PLUS is the sliding door operating system that meets all the requirements for **commercial doors** up to **160 kg**. Designed for quick and easy installation, it is the ideal solution for entrance-automation systems professionals looking for **simplicity in warehouse management and easy maintenance**.

With its neutral and pleasant aesthetics, Ditec DAS107PLUS meets the demands of modern buildings. The convenient assembly kit contains all the necessary components for mounting the operating system, including door holder and fixing plates for commercial frames.

SMART THINGS



QUALITY &
RELIABILITY



TIME SAVING
INSTALLATION



EASY
LOGISTICS



Technical specifications of available models

| | DAS107PLUS | Additional optional equipments | |
|--|---------------------------------------|--|---|
| Description | automation for sliding doors | Couple of photocells | ■ |
| Drive type | encoder | Battery pack 12 Vdc (emergency) | ■ |
| Max door panel weight | 120 kg (1 wing) 160 kg (2 wings) | Battery pack 24 Vdc (back-up) | ■ |
| Endurance test | 1 M cycles | Fail safe lock | ■ |
| Gearmotor | 24 Vdc with encoder | Fail secure lock (with release handle) | ■ |
| Power supply * | 100 ÷ 240 Vac, -10%/+10%; 50/60 Hz | Operational functions | |
| Max nominal power | 75 W | Function-selector mode | |
| Accessories power supply | 0.64 A @ 24 Vdc | - Automatic | ■ |
| Opening and closing speed | 1.0 m/s bi-part door (adjustable) | - Permanent open | ■ |
| Hold open time | 0-60 s (adjustable) | - Partial open | ■ |
| Operating temperature | -20°C / +50°C | - Exit only | ■ |
| Protection rating | IP20 | - Permanent close | ■ |
| Dimensions (H x D x L) | 120x143xL mm | Automatic reversal in case of obstacle | ■ |
| Max operator length | 5600 mm | Key command | ■ |
| Max clear passage (with 50 mm overlap fixed/ mobile) | 2715 mm (1 wing) 2740 mm (2 wings) | Continuous closing force | ■ |
| | | Self-learning | ■ |
| | | Parameters adjustment by display | ■ |
| | | Error message by display | ■ |

* Same product suits 230 Vac and 120 Vac power supply



QUALITY & RELIABILITY

- Performing electromechanical operator for up to **160 kg** door weight
- Tested up to **1 Million cycles**
- Long-lasting 24 Vdc motor with built-in Encoder (brand **DUNKERMOTOREN™**)
- Reinforced techno-polymer wheels in DUPONT™ Delrin®
- Fully tested and **certified by TÜV SÜD**



TIME SAVING INSTALLATION

- PLUG & PLAY connectors
- **Automatic self-learning** start-up mode, with **auto detection** of:
 - weight of wings
 - passage opening
 - presence of emergency and back-up batteries
- Easy and accurate control panel setting with **digital programming** and just few key parameters
- **Switching power supply** covering a wide range of electric voltages (100 ÷ 240 Vac, -10%/+10%; 50/60 Hz)
- **Easy adjustment** of trolleys and belt



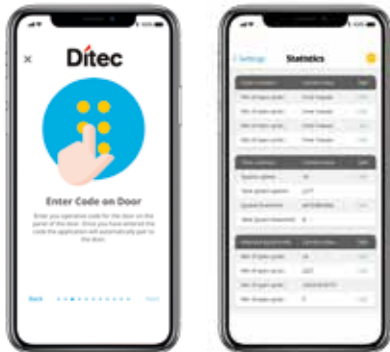
EASY LOGISTICS

- Easy to order: 1 kit, 1 casing and 1 cover and you're ready to start with your operator
- The convenient kit item includes power supply, gear motor, control panel, trolleys and brackets
- Casing and cover available length: **4450** and **6650 mm**
- Selected range of accessories to complete your installation
- **One door holder** for every application, designed in conjunction with **Ditec AC glass profile wing**, **Ditec PAM** and **Ditec ALU** profile series and any **commercial frames**
- **QR Code** for downloading the installation manual simply and quickly



SMART THINGS

Ditec offers two different **App** based solutions - one of the **end user** and one for the **installer** - for a smart management and control of DAS automatic doors.



DITEC DOOR CONNECT



Free App available on Play Store and App Store.

For use with latest generation Bluetooth® wireless technology-equipped COM501 and COM502 function-selectors, offering the end user access to the following features:

- 5 functions, including **RESET**
- Download and send **events** and **statistics log**
- Download and send **error log**
- Add and manage **App users** (up to 7)
- Manage setting of **partial opening** and **timer-controlled automatic closing parameters**
- **People count and flow control management**



SLIDER CONFIGURATION TOOL



An **advanced software** (DAS900CT) for **installers**, allowing the **complete configuration** and management of DAS automation from a tablet (requires DAS900CTI interface).

This software offers the **installer** the following features:

- Usage of 5 controller functions, including **RESET**
- **Configure all parameters** of the control panel
- Download and upload **preset parameter configurations**
- Manage **events** and **errors log**
- Manage complete **statistics log**
- Electrical board software update

Ditec DAS107PLUS

Automation for sliding doors

Maximum capacities

| | |
|--------|---------|
| 1 wing | 2 wings |
| 120 Kg | 160 Kg |

KIT

Basic automation

| Article Code | Article Description |
|---------------|--|
| PMDAS107K1PN | Fixed component kit for 1 DAS107PLUS wing The kit contains, in one box, the components, bolts and screws required for creating an automation system, including: <ul style="list-style-type: none">- Power supply- Gear motor- Control unit- N° 2 trolleys- Pulley- Mechanical stops, end caps, brackets for cover |
| PMDAS801GCL | Trolleys for 2nd wing |
| PMDAS802B50 | Transmission belt 50 m |
| PMDAS107B44NR | Casing L = 4450 EURAS C0 |
| PMDAS107B66NR | Casing L = 6650 EURAS C0 |

Front cover

| Article Code | Article Description |
|---------------|--|
| PMDAS107C44NR | Cover L = 4450 EURAS C0 |
| PMDAS107C44GR | Cover L = 4450 mill finish |
| PMDAS107C66NR | Cover L = 6650 EURAS C0 |
| PMDAS107C66GR | Cover L = 6650 mill finish |
| PMRGR351180 | Adjustable gasket for bottom side of cover (no. 4 rolls of 20 m) |

Specific accessories

| Article Code | Article Description |
|--------------|---|
| PMDAS801LOK | Lock device complete with brackets and hand release |
| PMDAS801LOKA | Safety lock device complete with brackets |
| PMDAS901BAT1 | Emergency battery (12 Vdc) |
| PMDAS902BAT2 | Back-up battery (24 Vdc) |
| PMDAS900PH1A | Pair of photocells |
| PMDAS11M8 | N° 4 fixing plates (n° 2 wings) for AC1356, PAM16 and PAM30 |
| PMDAS18M8 | N° 4 fixing plates (n° 2 wings) for AC4255 and AC4870 |
| PMDAS40M8 | N° 4 fixing plates (n° 2 wings) for ALU48 |



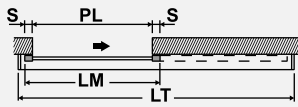
Ditec DAS107PLUS

Automation for sliding doors

| Maximum capacities | |
|--------------------|---------|
| 1 wing | 2 wings |
| 120 Kg | 160 Kg |

ASSEMBLED

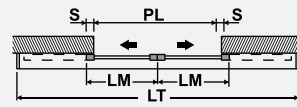
1 Wing



| Code Up to | Dimensioning - mm | | | Basic automation With MILL FINISH aluminium casing |
|----------------|-----------------------------|--|-----------------------|---|
| | PL= Nominal transit opening | LM=wing S=overlap with S=50+50 nominal | LT= Automation length | |
| PMDAS107K1PN20 | 915 | 1015 | 2000 | |
| PMDAS107K1PN26 | 1215 | 1315 | 2600 | |
| PMDAS107K1PN30 | 1415 | 1515 | 3000 | |
| PMDAS107K1PN36 | 1715 | 1815 | 3600 | |
| PMDAS107K1PN40 | 1915 | 2015 | 4000 | |
| PMDAS107K1PN44 | 2115 | 2215 | 4400 | |
| PMDAS107K1PN56 | 2715 | 2815 | 5600 | |

Basic automation price including:
fixed component kit for 1 wing, casing, belt, door attachment bracket 2995

2 Wings



| Code Up to | Dimensioning - mm | | | Basic automation With MILL FINISH aluminium casing |
|----------------|-----------------------------|--|-----------------------|---|
| | PL= Nominal transit opening | LM=wing S=overlap with S=50+50 nominal | LT= Automation length | |
| PMDAS107K2PN23 | 1090 | 2 x 520 | 2300 | |
| PMDAS107K2PN26 | 1240 | 2 x 570 | 2600 | |
| PMDAS107K2PN30 | 1440 | 2 x 670 | 3000 | |
| PMDAS107K2PN36 | 1740 | 2 x 770 | 3600 | |
| PMDAS107K2PN40 | 1940 | 2 x 845 | 4000 | |
| PMDAS107K2PN44 | 2140 | 2 x 920 | 4400 | |
| PMDAS107K2PN56 | 2740 | 2 x 1020 | 5600 | |

Basic automation price including:
fixed component kit for 1 wing, casing, trolleys for 2nd wing, belt, door attachment bracket 2995

Specific accessories

| Article Code | Article Description |
|----------------|--|
| PMSPDAS801LOK | Lock device complete with brackets and hand release, assembled |
| PMSPDAS801LOKA | Safety lock device complete with brackets, assembled |
| PMSPDAS901BAT1 | Emergency battery (12 Vdc), assembled |
| PMSPDAS902BAT2 | Back-up battery (24 Vdc), assembled |
| PMDAS900PH1A | Pair of photocells |
| PMDAS11M8 | N° 4 fixing plates (n° 2 wings) for AC1356, PAM16 and PAM30 |
| PMDAS18M8 | N° 4 fixing plates (n° 2 wings) for AC4255 and AC4870 |
| PMDAS40M8 | N° 4 fixing plates (n° 2 wings) for ALU48 |

Front cover

| Standard casing length | | MILL FINISH | | Standard casing length | | EURAS C0 | |
|------------------------|---------------|-------------|--|------------------------|---------------|----------|--|
| mm | Codice fino a | | | mm | Codice fino a | | |
| 2000 | PMCRDAS107G20 | | | 2000 | PMCRDAS107N20 | | |
| 2300 | PMCRDAS107G23 | | | 2300 | PMCRDAS107N23 | | |
| 2600 | PMCRDAS107G26 | | | 2600 | PMCRDAS107N26 | | |
| 3000 | PMCRDAS107G30 | | | 3000 | PMCRDAS107N30 | | |
| 3600 | PMCRDAS107G36 | | | 3600 | PMCRDAS107N36 | | |
| 4000 | PMCRDAS107G40 | | | 4000 | PMCRDAS107N40 | | |
| 4400 | PMCRDAS107G44 | | | 4400 | PMCRDAS107N44 | | |
| 5600 | PMCRDAS107G56 | | | 5600 | PMCRDAS107N56 | | |

Ditec DAS107PLUS

Automation for sliding doors

Function-selectors

| Article Code | Article Description |
|--------------|---------------------|
|--------------|---------------------|

Mechanical

- | | |
|-------------|--|
| PMCOM501MKS | Mechanical function-selector with key operation |
| PMCOM501MHS | Mechanical function-selector with handle operation |

Digital

- | | |
|------------|--------------------------------------|
| PMCOM500ES | Digital electronic function-selector |
|------------|--------------------------------------|

Electronic

- | | |
|------------|---|
| PMCOM501ES | Electronic capacitive touch function-selector with Bluetooth® module and RJ45 connector for interface Configuration Tool DAS900CTI |
| PMCOM501ER | Electronic capacitive touch function-selector and security key with Bluetooth® module and RJ45 connector for interface Configuration Tool DAS900CTI |
| PMCOM502ES | Electronic capacitive touch function-selector with Bluetooth® module |
| PMCOM502ER | Electronic function-selector with capacitive touch push buttons, protection key (Euro cylinder) and Bluetooth® module |

Accessories

| Article Code | Article Description |
|--------------|---------------------|
|--------------|---------------------|

- | | |
|---------|---|
| PMCOMAR | Double external square box for COM502ER |
|---------|---|

Configuration accessories - Configuration Tool

| Article Code | Article Description |
|--------------|---------------------|
|--------------|---------------------|

- | | |
|-------------|--|
| PMDAS900CT | Configuration Tool. Configuration App for tablet (only for Android devices) |
| PMDAS900CTI | Bluetooth® interface for direct connection between the Control Panel and the Slider Configuration Tool |



DAS900CTI



COM501ER - COM501ES



COM502ES



COM502ER



DAS801LOK



DAS107K1PN



DAS901BAT1



DAS902BAT2



COM501MKS



COM501MHS



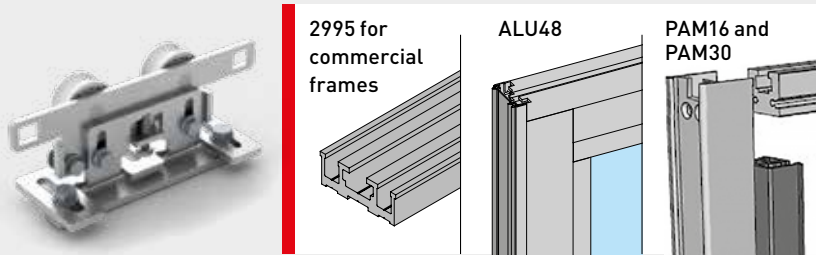
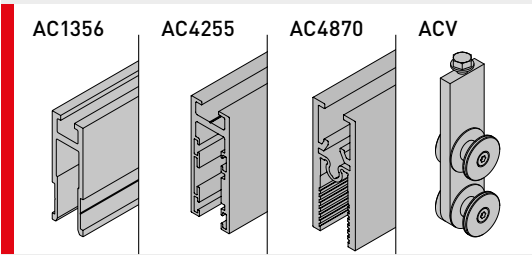
COM500ES



DAS801GCL

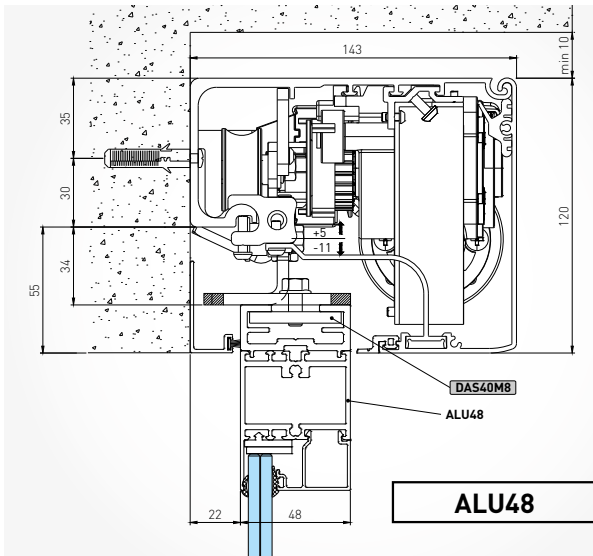


GLASS WING **FRAMED WING**

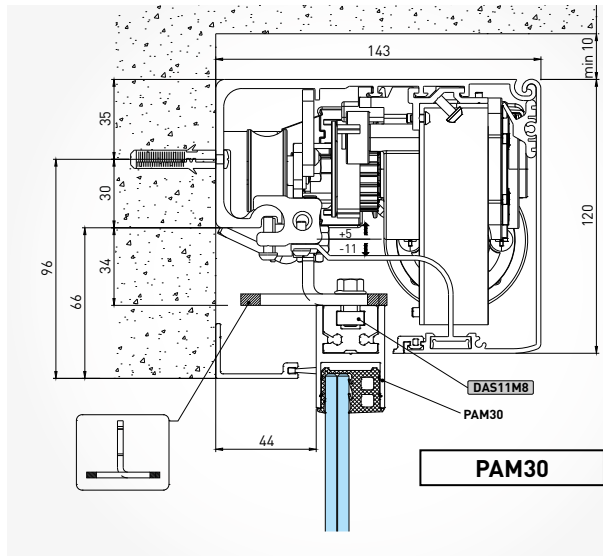


FIXING PLATES SELECTION TABLE - DAS107PLUS

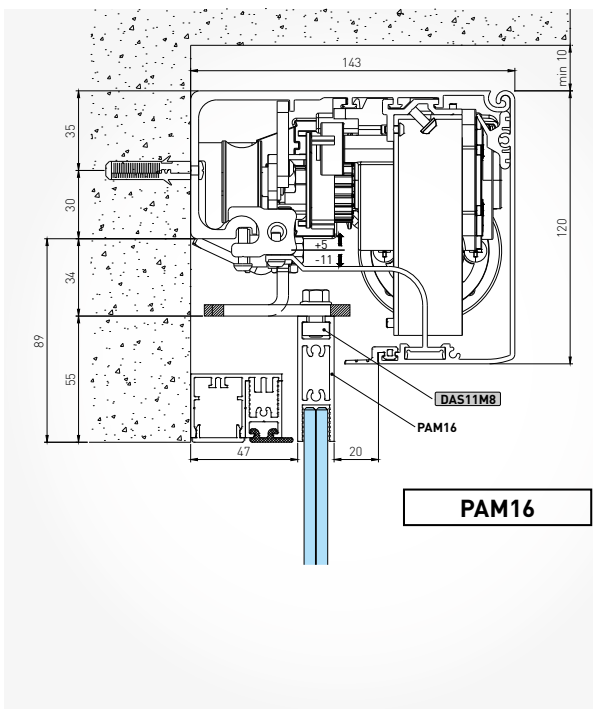
Series profiles ALU48 - DAS40M8



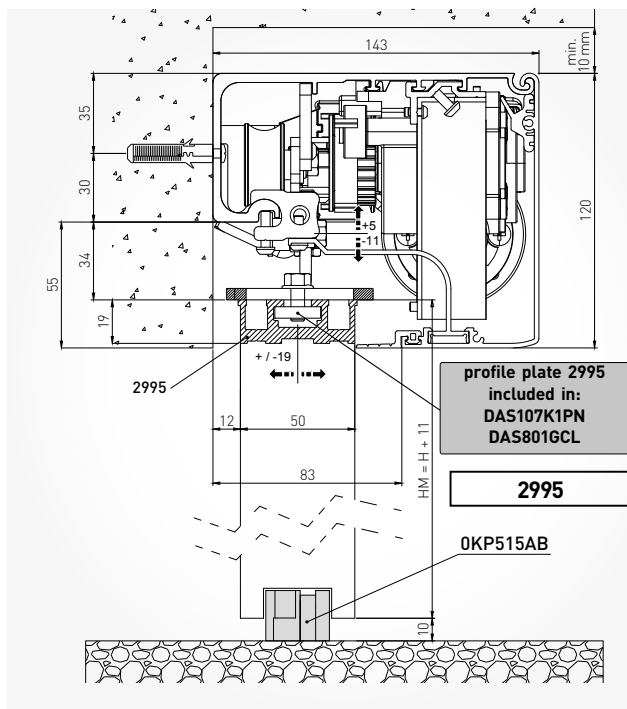
Series profiles PAM 30 - DAS11M8



Series profiles PAM 16 - DAS11M8

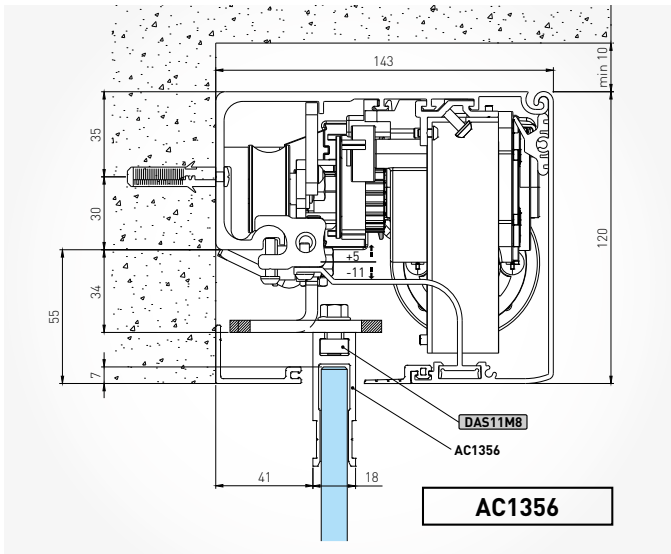


Generic frame - 2995

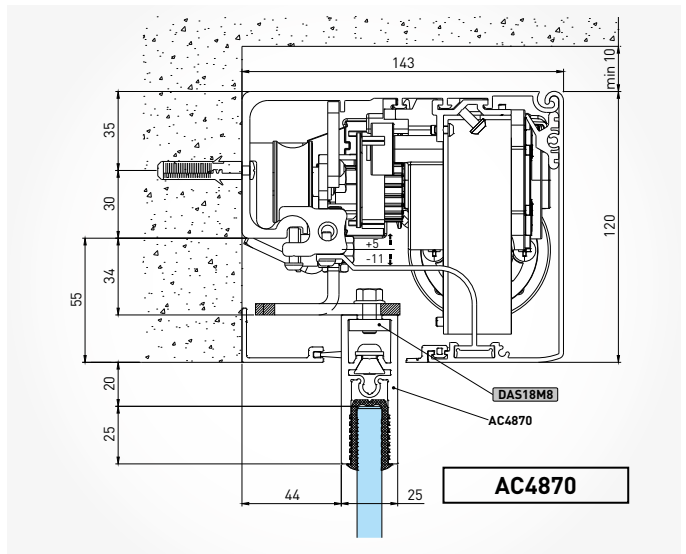


FIXING PLATES SELECTION TABLE - DAS107PLUS

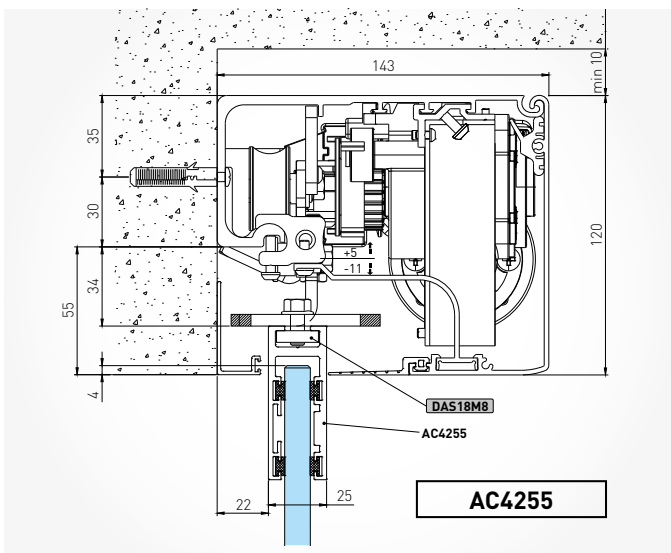
Series profiles AC1356 - DAS11M8



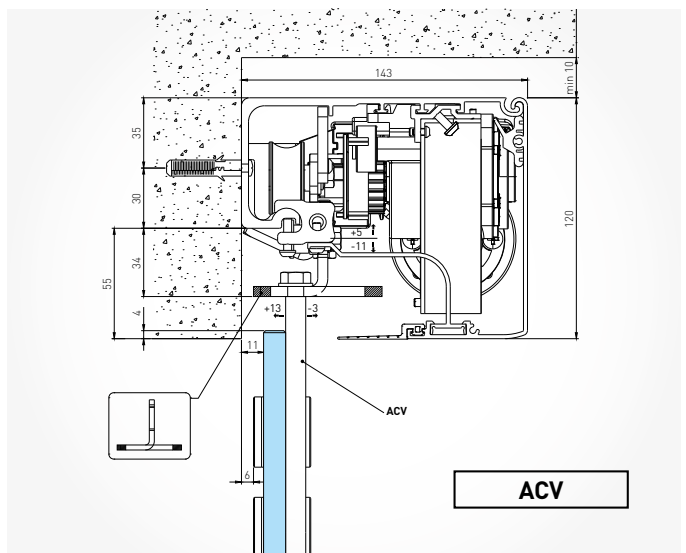
Series profiles AC4870 - DAS18M8



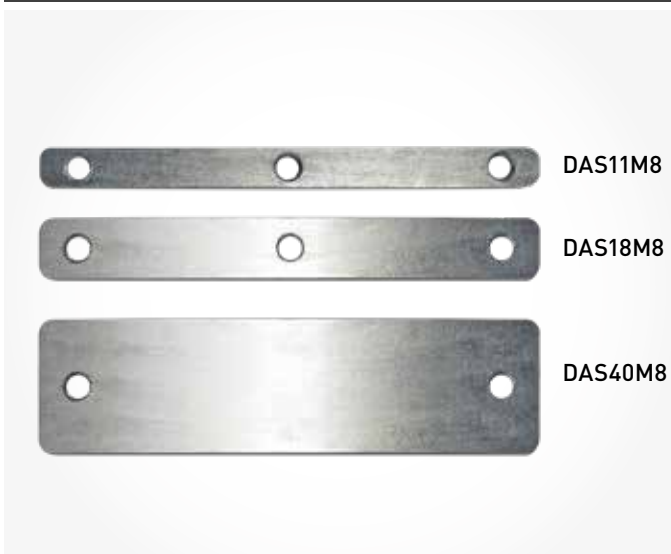
Series profiles AC4255 - DAS18M8



Series profiles ACV



Fixing plates



DAS11M8

DAS18M8

DAS40M8

Ditec DAS200 - DAS200HD DAS200T



The Ditec DAS automation system has been conceived and designed **around the needs of the customer**. **Innovative technical** solutions come together with **superior quality components** in a process of continuous improvement. A complete and highly modular range of products to ensure **impeccably smooth, quiet and reliable operation** in every application.

The different versions for specific applications are:

- **DAS200**: maximum capacity of 200 kg
- **DAS200HD**: maximum capacity of 280 kg
- **DAS200T**: maximum capacity of 320 kg, with a telescopic opening system

INTELLIGENT



INNOVATIVE
DESIGN



EASY TO
INSTALL



SMART THINGS



Technical specifications

| | DAS200 | DAS200HD | DAS200T |
|--|---|---|---|
| Description | automation for sliding doors | automation for sliding doors | automation for telescopic sliding doors |
| Max. wing weight | 120 kg (1 wing) 200 kg (2 wings) | 150 kg (1 wing) 280 kg (2 wings) | 240 kg (1+1 wing) 320 kg (2+2 wings) |
| Clear passage | 715 - 3215 mm (1 wing) 790 - 3240 mm (2 wings) | 715 - 3215 mm (1 wing) 840 - 3240 mm (2 wings) | 1103 - 4320 mm (1+1 wing) 1600 - 4320 mm (2+2 wings) |
| Product dimensions mm (HxWxL) | 120 x 185 x L | 120 x 185 x L | 120 x 265 x L |
| Max. opening and closing speed (2 wings) | 1.6 m/s | 1.6 m/s | 1.6 m/s |
| Power supply | 100 ÷ 240 Vac, -10%/+10%; 50/60 Hz | 100 ÷ 240 Vac, -10%/+10%; 50/60 Hz | 100 ÷ 240 Vac, -10%/+10%; 50/60 Hz |
| Power supply rated power | 75 W | 150 W | 150 W |
| Accessories power supply | 24 Vdc/0.64 A | 24 Vdc/1 A | 24 Vdc/1 A |
| Protection rating | IP20 | IP20 | IP20 |
| Approvals | TÜV | TÜV | TÜV |
| Control panel | 1DAS20QE | 1DAS20HDQE | 1DAS20HDQE |

Main functions

| | DAS200 1DAS20QE | DAS200HD - DAS200T 1DAS20HDQE |
|---|------------------------------------|------------------------------------|
| Control panel | | |
| Power supply | 100 ÷ 240 Vac, -10%/+10%; 50/60 Hz | 100 ÷ 240 Vac, -10%/+10%; 50/60 Hz |
| Batteries | 12 Vdc o 24 Vdc (opcional) | 12 Vdc o 24 Vdc (opcional) |
| Hold force adjustment | ■ | ■ |
| Obstacle detection (stop while opening or reverse while closing) | ■ | ■ |
| Automatic passage opening width selection (depending on the flow of people) | ■ | ■ |
| Hold open time | 0 - 60 s | 0 - 60 s |
| Presence hold open time | 0 - 60 s | 0 - 60 s |
| Interlock function | ■ (optional with DAS902MP) | ■ (optional with DAS902MP) |
| Opening safety function (speed limiting) | ■ | ■ |
| Battery energy saving function in case of power failure | ■ | ■ |
| Emergency reverse with presence sensor | ■ (compliant with EN 16005) | ■ (compliant with EN 16005) |
| Safety test and safety monitoring function | ■ (compliant with EN 16005) | ■ (compliant with EN 16005) |
| Independent opening / closing commands | ■ (optional with DAS902MP) | ■ (optional with DAS902MP) |
| "Nurse" function | ■ (optional with DAS902MP) | ■ (optional with DAS902MP) |
| "Fire alarm" function | ■ (optional with DAS902MP) | ■ (optional with DAS902MP) |
| Emergency opening function | ■ | ■ |



INTELLIGENT

The Ditec DAS operator is conceived to cater for all possible applications with **precision** and in **complete safety**

- **Smart** start-up mode with **self-acquisition** function, including automatic detection and recognition of:
 - Passage opening
 - Door weight
 - Presence and type of lock devices (standard and anti-panic)
 - Emergency and backup batteries
- Superior **energy efficiency** with a **switching power supply unit** offering a wide range of operating voltages
- **Digital programming** with over 90 parameters including **speed, timer, position** and **emergency function** parameters



INNOVATIVE DESIGN

Ditec DAS is designed with the ambitious goal to be an **extremely elegant door system** but at the same time **modular** and **practical**

- The **arrow design** on the front creates a **distinctive identity** that is easily recognizable and gives the product a **slim (120 mm height of cover)** and elegant look
- The horizontally breakline creates a **bold and strong brand image**

The Ditec design is intended to **make customers' lives easier** and to **optimise stock** management and logistics

- Just **one casing** for all the operators of the DAS200 family
- A **practical rear beam**, which matches with the main casing, for a fast and safe **telescopic** door installation, reducing the complexity of the old stock
- The **same carriage unit** and **door holder** for all applications (Ditec framed and glass panel doors, commercial doors)
- Steel lateral heads for a **secure mechanical connection** to the casing and an **elegant look**



EASY TO INSTALL

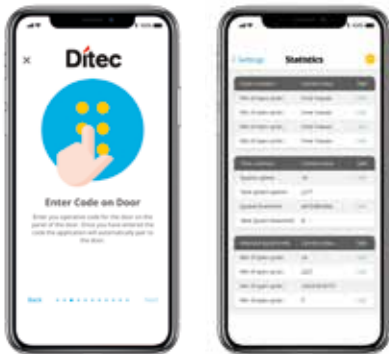
A professional and extremely simple and quick to fit automation system which **significantly saves installation time**

- **FAST & SAFE** system to fix main components to beam
- **Simple** and **easily accessible** mechanical adjustment of components such as the carriage, door holder, locking device and drive belt
- Dedicated **PLUG & PLAY** connectors for all main components, such as the power supply unit, electrical board and motor
- Dedicated **PLUG & PLAY** connectors for accessories such as batteries and sensors (both opening and safety sensors and safety sensors only)
- **EASY ACCESS** for installing and service action due to a **rotating mechanism** that allows the cover to be opened simply and quickly



SMART THINGS

Ditec offers two different **App** based solutions - one of the **end user** and one for the **installer** - for a smart management and control of DAS automatic doors.



DITEC DOOR CONNECT



Free App available on Play Store and App Store.

For use with latest generation Bluetooth® wireless technology-equipped COM501 and COM502 function-selectors, offering the end user access to the following features:

- 5 functions, including **RESET**
- Download and send **events** and **statistics log**
- Download and send **error log**
- Add and manage **App users** (up to 7)
- Manage setting of **partial opening** and **timer-controlled automatic closing parameters**
- **People count and flow control management**

SLIDER CONFIGURATION TOOL



An **advanced software** (DAS900CT) for **installers**, allowing the **complete configuration** and management of DAS automation from a tablet (requires DAS900CTI interface).

This software offers the **installer** the following features:

- Usage of 5 controller functions, including **RESET**
- **Configure all parameters** of the control panel
- Download and upload **preset parameter configurations**
- Manage **events** and **errors log**
- Manage complete **statistics log**
- Electrical board software update





KIT

Basic automatioan

| Article Code | Article Description |
|---------------------|--|
| PMDAS200K1 | Fixed component kit for 1 DAS200 wing The kit contains, in one box, the components, bolts and screws required for creating an automation system, including: - 1 power supply - 1 gear motor - 1 control unit - N° 2 trolleys + door holders + 2995 fixing plates for commercial frames - 1 pulley - mechanical stops, end caps, brackets for cover |
| PMDAS820GCL | Trolleys for 2 nd wing + door holders + 2995 fixing plates for commercial frames |
| PMDAS820CLS | Additional trolley for door wing > 1600 mm |
| PMDAS200B44G | Casing L = 4450 mill finish |
| PMDAS200B66G | Casing L = 6650 mill finish |
| PMDAS200B44N | Casing L = 4450 EURAS C0 |
| PMDAS200B66N | Casing L = 6650 EURAS C0 |
| PMV3464N44 | Sliding guide L = 4450 EURAS C0 |
| PMV3464N66 | Sliding guide L = 6650 EURAS C0 |
| PMRGR346580 | Guide vibration proof gasket (80 m roll) |
| PMDAS802B50 | Transmission belt 50 m |

Front cover

| Article Code | Article Description |
|---------------------|--|
| PMDAS200C44G | Cover L = 4450 mill finish |
| PMDAS200C66G | Cover L = 6650 mill finish |
| PMDAS200C44N | Cover L = 4450 EURAS C0 |
| PMDAS200C66N | Cover L = 6650 EURAS C0 |
| PMRGR351180 | Adjustable gasket for bottom side of cover (no. 4 rolls of 20 m) |

Note: To check the position of the components and the specific accessories, please refer to the "WIZARD DAS" program

Ditec DAS200

Automation for commercial sliding doors

| | | |
|---------------------|--------|---------|
| Max capacities | 1 wing | 2 wings |
| Max very heavy duty | 120 Kg | 200 Kg |

KIT

Specific accessories

| Article Code | Article Description |
|---------------|--|
| PMDAS802LOK | Wing stop device complete with brackets, without release handle |
| PMDAS802LOKA | Anti-panic system complete with brackets, without release handle |
| PMDAS802MLOKA | Fail safe electromagnetic locking device |
| PMDAS802LOKB | Two position block system complete with brackets, without release handle (DAS902MP required) |
| PMLOKSBM | Manual release handle, wall mounted |
| PMDASLOKSB | Manual release handle integrated in the casing |
| PMDAS901BAT1 | Emergency battery (12 Vdc) |
| PMDAS902BAT2 | Back-up battery (24 Vdc) |
| PMDAS902MP | Plus Module PCB (required for DAS802LOKB) |
| PMDAS800CMP | Plus Module PCB cable extension |
| PMDAS800CPS | Power supply cable extension L = 2400 mm |
| PMDAS900PH1A | Pair of photocells |
| PMDAS11M8 | N° 4 fixing plates (n° 2 wings) for AC1356, PAM16 and PAM30 |
| PMDAS18M8 | N° 4 fixing plates (n° 2 wings) for AC4255 and AC4870 |
| PMDAS40M8 | N° 4 fixing plates (n° 2 wings) for ALU48 |
| PMDAS35M8 | N° 4 fixing plates (n° 2 wings) for PAMH60 |
| PMDAS802RJ45 | RJ45 connettor for DAS900CTI |
| PMDAS802RJA | RJ45 adapter for electronic selectors (COM502ES/COM502ER) |
| PMDAS900FM | Magnetic limit switch indicator micro kit |



DAS802LOK



DAS802LOKA



DAS802LOKB



DAS902MP

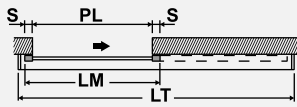
Ditec DAS200

Automation for commercial sliding doors

| | | |
|---------------------|--------|---------|
| Max capacities | 1 wing | 2 wings |
| Max very heavy duty | 120 Kg | 200 Kg |

ASSEMBLED

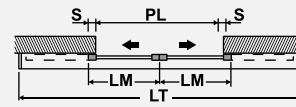
1 Wing



| Code Up to | Dimensioning - mm | | | Basic automation With MILL FINISH aluminium casing |
|---------------|--------------------------------------|--|-----------------------------|---|
| | PL= Nominal transit opening | LM=wing S=overlap with S=50+50 nominal | LT= Automation length | |
| PMDAS200A1L20 | 915 | 1015 | 2000 | |
| PMDAS200A1L22 | 1015 | 1115 | 2200 | |
| PMDAS200A1L26 | 1215 | 1315 | 2600 | |
| PMDAS200A1L30 | 1415 | 1515 | 3000 | |
| PMDAS200A1L33 | 1565 | 1665 | 3300 | |
| PMDAS200A1L36 | 1715 | 1815 | 3600 | |
| PMDAS200A1L40 | 1915 | 2015 | 4000 | |
| PMDAS200A1L44 | 2115 | 2215 | 4400 | |
| PMDAS200A1L66 | 3215 | 3315 | 6600 | |

Basic automation price including:
fixed component kit for 1 wing, casing, belt, door attachment
bracket 2995

2 Wings



| Code Up to | Dimensioning - mm | | | Basic automation With MILL FINISH aluminium casing |
|---------------|--------------------------------------|--|-----------------------------|---|
| | PL= Nominal transit opening | LM=wing S=overlap with S=50+50 nominal | LT= Automation length | |
| PMDAS200A2L20 | 940 | 2 x 520 | 2000 | |
| PMDAS200A2L22 | 1040 | 2 x 570 | 2200 | |
| PMDAS200A2L26 | 1240 | 2 x 670 | 2600 | |
| PMDAS200A2L30 | 1440 | 2 x 770 | 3000 | |
| PMDAS200A2L33 | 1590 | 2 x 845 | 3300 | |
| PMDAS200A2L36 | 1740 | 2 x 920 | 3600 | |
| PMDAS200A2L40 | 1940 | 2 x 1020 | 4000 | |
| PMDAS200A2L44 | 2140 | 2 x 1120 | 4400 | |
| PMDAS200A2L66 | 3240 | 2 x 1670 | 6600 | |

Basic automation price including:
fixed component kit for 1 wing, casing, trolleys for 2nd wing,
belt, door attachment bracket 2995

Note: To check the position of the components or when Ditec or generic frames are used with S overlap different from the one shown, or with other additional specific accessories, please refer to the "WIZARD DAS" program

Note: Finally, the fixing plates must be added (please see pages 30-31)

Specific accessories

| Article Code | Article Description |
|-----------------|--|
| PMSPDAS802LOK | Wing stop device complete with brackets, without release handle, assembled |
| PMSPDAS802LOKA | Anti-panic system complete with brackets, without release handle, assembled |
| PMSPDAS802MLOKA | Fail safe electromagnetic locking device, assembled |
| PMSPDAS802LOKB | Two position block system complete with brackets, without release handle, assembled (DAS902MP required) |
| PMSPDASLOKSB | Manual release handle integrated in the casing, assembled |
| PMSPDAS901BAT1 | Emergency battery (12 Vdc), assembled |
| PMSPDAS902BAT2 | Back-up battery (24 Vdc), assembled |
| PMSPDAS902MP | Plus Module PCB (required for DAS802LOKB), assembled |
| PMSPDAS800CMP | Plus Module PCB cable extension, assembled |
| PMSPDAS800CPS | Power supply cable extension L = 2400 mm, assembled |
| PMSPDAS800KPI | PAS005AP detection safety sensor built in the cover, assembled |
| PMSPDAS802RJ45 | RJ45 connector for DAS900CTI, assembled |
| PMSPDAS900FM | Magnetic limit switch indicator micro kit, assembled |

Ditec DAS200

Automation for commercial sliding doors

| | | |
|---------------------|--------|---------|
| Max capacities | 1 wing | 2 wings |
| Max very heavy duty | 120 Kg | 200 Kg |

ASSEMBLED

| Front cover | | | | | | | |
|------------------------|--|-------------|--|------------------------|--|------------|--|
| Standard casing length | | MILL FINISH | | Standard casing length | | EURAS C0 | |
| mm | | Code Up to | | mm | | Code Up to | |
| 2000 | | PMCRDASG20 | | 2000 | | PMCRDASN20 | |
| 2200 | | PMCRDASG22 | | 2200 | | PMCRDASN22 | |
| 2600 | | PMCRDASG26 | | 2600 | | PMCRDASN26 | |
| 3000 | | PMCRDASG30 | | 3000 | | PMCRDASN30 | |
| 3300 | | PMCRDASG33 | | 3300 | | PMCRDASN33 | |
| 3600 | | PMCRDASG36 | | 3600 | | PMCRDASN36 | |
| 4000 | | PMCRDASG40 | | 4000 | | PMCRDASN40 | |
| 4400 | | PMCRDASG44 | | 4400 | | PMCRDASN44 | |
| 6600 | | PMCRDASG66 | | 6600 | | PMCRDASN66 | |



Ditec DAS200

Automation for commercial sliding doors

Function-selectors

| Article Code | Article Description |
|--------------|---------------------|
|--------------|---------------------|

Mechanical

- | | |
|---------------------|--|
| PM COM501MKS | Mechanical function-selector with key operation |
| PM COM501MHS | Mechanical function-selector with handle operation |

Digital

- | | |
|--------------------|--------------------------------------|
| PM COM500ES | Digital electronic function-selector |
|--------------------|--------------------------------------|

Electronic

- | | |
|--------------------|---|
| PM COM501ES | Electronic capacitive touch function-selector with Bluetooth® module and RJ45 connector for interface Configuration Tool DAS900CTI |
| PM COM501ER | Electronic capacitive touch function-selector and security key with Bluetooth® module and RJ45 connector for interface Configuration Tool DAS900CTI |
| PM COM502ES | Electronic capacitive touch function-selector with Bluetooth® module |
| PM COM502ER | Electronic function-selector with capacitive touch push buttons, protection key (Euro cylinder) and Bluetooth® module |

Accessories

| Article Code | Article Description |
|--------------|---------------------|
|--------------|---------------------|

- | | |
|-----------------|---|
| PM COMAR | Double external square box for COM502ER |
|-----------------|---|

Configuration accessories - Configuration Tool

| Article Code | Article Description |
|--------------|---------------------|
|--------------|---------------------|

- | | |
|---------------------|--|
| PM DAS900CT | Configuration Tool. Configuration App for tablet (only for Android devices) |
| PM DAS900CTI | Bluetooth® interface for direct connection between the Control Panel and the Slider Configuration Tool |



COM501MKS - COM501MHS



COM501ER - COM501ES



COM502ES



COM502ER



KIT

Basic automation

| Article Code | Article Description |
|---------------------|--|
| PMDAS200HDK1 | Fixed component kit for 1 DAS200HD wing The kit contains, in one box, the components, bolts and screws required for creating an automation system, including: - 1 power supply - 1 gear motor - 1 control unit - N° 2 trolleys + door holders + 2995 fixing plates for commercial frames - 1 pulley - mechanical stops, end caps, brackets for cover |
| PMDAS820GCL | Trolleys for 2 nd wing + door holders + 2995 fixing plates for commercial frames |
| PMDAS820CLS | Additional trolley for door wing > 1600 mm |
| PMDAS200B44G | Casing L = 4450 mill finish |
| PMDAS200B66G | Casing L = 6650 mill finish |
| PMDAS200B44N | Casing L = 4450 EURAS C0 |
| PMDAS200B66N | Casing L = 6650 EURAS C0 |
| PMV3464N44 | Sliding guide L = 4450 EURAS C0 |
| PMV3464N66 | Sliding guide L = 6650 EURAS C0 |
| PMRGR346580 | Guide vibration proof gasket (80 m roll) |
| PMDAS802B50 | Transmission belt 50 m |

Front cover

| Article Code | Article Description |
|---------------------|--|
| PMDAS200C44G | Cover L = 4450 mill finish |
| PMDAS200C66G | Cover L = 6650 mill finish |
| PMDAS200C44N | Cover L = 4450 EURAS C0 |
| PMDAS200C66N | Cover L = 6650 EURAS C0 |
| PMRGR351180 | Adjustable gasket for bottom side of cover (no. 4 rolls of 20 m) |

Note: To check the position of the components and the specific accessories, please refer to the "WIZARD DAS" program

Ditec DAS200HD

Automation for commercial sliding doors

| | | |
|---------------------|--------|---------|
| Max capacities | 1 wing | 2 wings |
| Max very heavy duty | 150 Kg | 280 Kg |

KIT

Specific accessories

| Article Code | Article Description |
|---------------|--|
| PMDAS802LOK | Wing stop device complete with brackets, without release handle |
| PMDAS802LOKA | Anti-panic system complete with brackets, without release handle |
| PMDAS802MLOKA | Fail safe electromagnetic locking device |
| PMDAS802LOKB | Two position block system complete with brackets, without release handle (DAS902MP required) |
| PMLOKSBM | Manual release handle, wall mounted |
| PMDASLOKSB | Manual release handle integrated in the casing |
| PMDAS901BAT1 | Emergency battery (12 Vdc) |
| PMDAS902BAT2 | Back-up battery (24 Vdc) |
| PMDAS902MP | Plus Module PCB (required for DAS802LOKB) |
| PMDAS800CMP | Plus Module PCB cable extension |
| PMDAS800CPS | Power supply cable extension L = 2400 mm |
| PMDAS900PH1A | Pair of photocells |
| PMDAS11M8 | N° 4 fixing plates (n° 2 wings) for AC1356, PAM16 and PAM30 |
| PMDAS18M8 | N° 4 fixing plates (n° 2 wings) for AC4255 and AC4870 |
| PMDAS40M8 | N° 4 fixing plates (n° 2 wings) for ALU48 |
| PMDAS35M8 | N° 4 fixing plates (n° 2 wings) for PAMH60 |
| PMDAS802RJ45 | RJ45 connector for DAS900CTI |
| PMDAS802RJA | RJ45 adapter for electronic selectors (COM502ES/COM502ER) |
| PMDAS900FM | Magnetic limit switch indicator micro kit |



DAS802LOK



DAS802LOKA



DAS802LOKB



DAS902MP

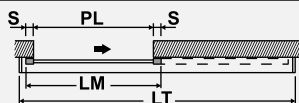
Ditec DAS200HD

Automation for commercial sliding doors

| | | |
|---------------------|--------|---------|
| Max capacities | 1 wing | 2 wings |
| Max very heavy duty | 150 Kg | 280 Kg |

ASSEMBLED

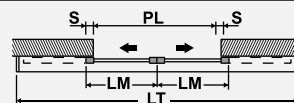
1 Wing



| Code Up to | Dimensioning - mm | | | Basic automation With MILL FINISH aluminium casing |
|-----------------|-----------------------------|--|-----------------------|---|
| | PL= Nominal transit opening | LM=wing S=overlap with S=50+50 nominal | LT= Automation length | |
| PMDAS200HDA1L20 | 915 | 1015 | 2000 | |
| PMDAS200HDA1L22 | 1015 | 1115 | 2200 | |
| PMDAS200HDA1L26 | 1215 | 1315 | 2600 | |
| PMDAS200HDA1L30 | 1415 | 1515 | 3000 | |
| PMDAS200HDA1L33 | 1565 | 1665 | 3300 | |
| PMDAS200HDA1L36 | 1715 | 1815 | 3600 | |
| PMDAS200HDA1L40 | 1915 | 2015 | 4000 | |
| PMDAS200HDA1L44 | 2115 | 2215 | 4400 | |
| PMDAS200HDA1L66 | 3215 | 3315 | 6600 | |

Basic automation price including:
fixed component kit for 1 wing, casing, belt, door attachment bracket 2995

2 Wings



| Code Up to | Dimensioning - mm | | | Basic automation With MILL FINISH aluminium casing |
|------------------|-----------------------------|--|-----------------------|---|
| | PL= Nominal transit opening | LM=wing S=overlap with S=50+50 nominal | LT= Automation length | |
| PM DAS200HDA2L20 | 940 | 2 x 520 | 2000 | |
| PM DAS200HDA2L22 | 1040 | 2 x 570 | 2200 | |
| PM DAS200HDA2L26 | 1240 | 2 x 670 | 2600 | |
| PM DAS200HDA2L30 | 1440 | 2 x 770 | 3000 | |
| PM DAS200HDA2L33 | 1590 | 2 x 845 | 3300 | |
| PM DAS200HDA2L36 | 1740 | 2 x 920 | 3600 | |
| PM DAS200HDA2L40 | 1940 | 2 x 1020 | 4000 | |
| PM DAS200HDA2L44 | 2140 | 2 x 1120 | 4400 | |
| PM DAS200HDA2L66 | 3240 | 2 x 1670 | 6600 | |

Basic automation price including:
fixed component kit for 1 wing, casing, trolleys for 2nd wing, belt, door attachment bracket 2995

Note: To check the position of the components or when Ditec or generic frames are used with S overlap different from the one shown, or with other additional specific accessories, please refer to the "WIZARD DAS" program

Note: Finally, the fixing plates must be added (please see pages 30-31)

Specific accessories

| Article Code | Article Description |
|-----------------|---|
| PMSPDAS802LOK | Wing stop device complete with brackets, without release handle, assembled |
| PMSPDAS802LOKA | Anti-panic system complete with brackets, without release handle, assembled |
| PMSPDAS802MLOKA | Fail safe electromagnetic locking device, assembled |
| PMSPDAS802LOKB | Two position block system complete with brackets, without release handle, assembled (DAS902MP required) |
| PMSPDASLOKSB | Manual release handle integrated in the casing, assembled |
| PMSPDAS901BAT1 | Emergency battery (12 Vdc), assembled |
| PMSPDAS902BAT2 | Back-up battery (24 Vdc), assembled |
| PMSPDAS902MP | Plus Module PCB (required for DAS802LOKB), assembled |
| PMSPDAS800CMP | Plus Module PCB cable extension, assembled |
| PMSPDAS800CPS | Power supply cable extension L = 2400 mm, assembled |
| PMSPDAS800KPI | PAS005AP detection safety sensor built in the cover, assembled |
| PMSPDAS802RJ45 | RJ45 connector for DAS900CTI, assembled |
| PMSPDAS900FM | Magnetic limit switch indicator micro kit, assembled |

Ditec DAS200HD

Automation for commercial sliding doors

| Max capacities | 1 wing | 2 wings |
|---------------------|--------|---------|
| Max very heavy duty | 150 Kg | 280 Kg |

ASSEMBLED

Transformation into version for emergency exits

| Article Code | Article Description |
|--------------|---|
| PMSPDAS200RG | Surcharge to update to redundant version (including battery DAS902BAT2) |

Front cover

| Standard casing length | | MILL FINISH | | Standard casing length | | EURAS C0 | |
|------------------------|------------|-------------|--|------------------------|------------|----------|--|
| mm | Code Up to | | | mm | Code Up to | | |
| 2000 | PMCRDASG20 | | | 2000 | PMCRDASN20 | | |
| 2200 | PMCRDASG22 | | | 2200 | PMCRDASN22 | | |
| 2600 | PMCRDASG26 | | | 2600 | PMCRDASN26 | | |
| 3000 | PMCRDASG30 | | | 3000 | PMCRDASN30 | | |
| 3300 | PMCRDASG33 | | | 3300 | PMCRDASN33 | | |
| 3600 | PMCRDASG36 | | | 3600 | PMCRDASN36 | | |
| 4000 | PMCRDASG40 | | | 4000 | PMCRDASN40 | | |
| 4400 | PMCRDASG44 | | | 4400 | PMCRDASN44 | | |
| 6600 | PMCRDASG66 | | | 6600 | PMCRDASN66 | | |



Ditec DAS200HD

Automation for commercial sliding doors

Function-selectors

| Article Code | Article Description |
|--------------|---------------------|
|--------------|---------------------|

Mechanical

- | | |
|-------------|--|
| PMCOM501MKS | Mechanical function-selector with key operation |
| PMCOM501MHS | Mechanical function-selector with handle operation |

Digital

- | | |
|------------|--------------------------------------|
| PMCOM500ES | Digital electronic function-selector |
|------------|--------------------------------------|

Electronic

- | | |
|------------|---|
| PMCOM501ES | Electronic capacitive touch function-selector with Bluetooth® module and RJ45 connector for interface Configuration Tool DAS900CTI |
| PMCOM501ER | Electronic capacitive touch function-selector and security key with Bluetooth® module and RJ45 connector for interface Configuration Tool DAS900CTI |
| PMCOM502ES | Electronic capacitive touch function-selector with Bluetooth® module |
| PMCOM502ER | Electronic function-selector with capacitive touch push buttons, protection key (Euro cylinder) and Bluetooth® module |

Accessories

| Article Code | Article Description |
|--------------|---------------------|
|--------------|---------------------|

- | | |
|---------|---|
| PMCOMAR | Double external square box for COM502ER |
|---------|---|

Configuration accessories - Configuration Tool

| Article Code | Article Description |
|--------------|---------------------|
|--------------|---------------------|

- | | |
|-------------|--|
| PMDAS900CT | Configuration Tool, Configuration App for tablet (only for Android devices) |
| PMDAS900CTI | Bluetooth® interface for direct connection between the Control Panel and the Slider Configuration Tool |



COM501MKS - COM501MHS



COM501ER - COM501ES



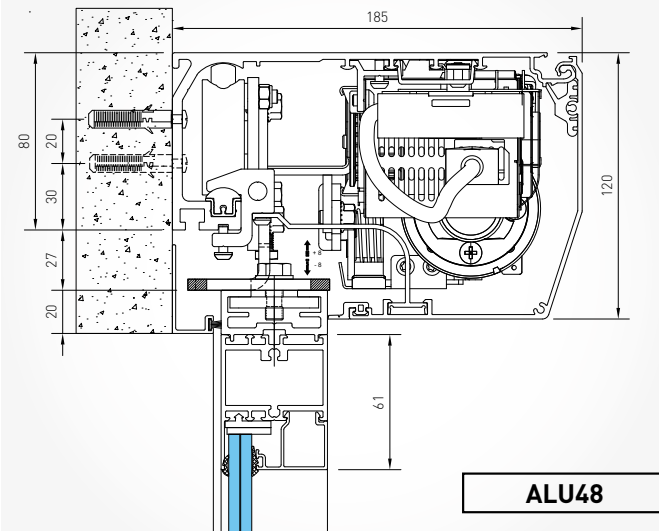
COM502ES



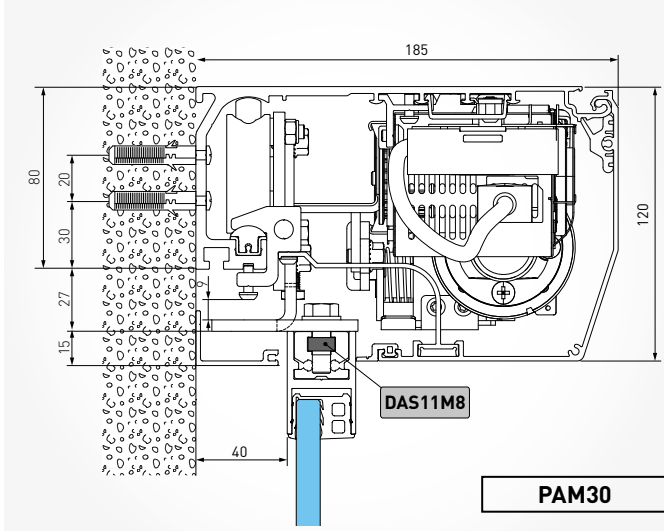
COM502ER

FIXING PLATES SELECTION TABLE - DAS200 and DAS200HD

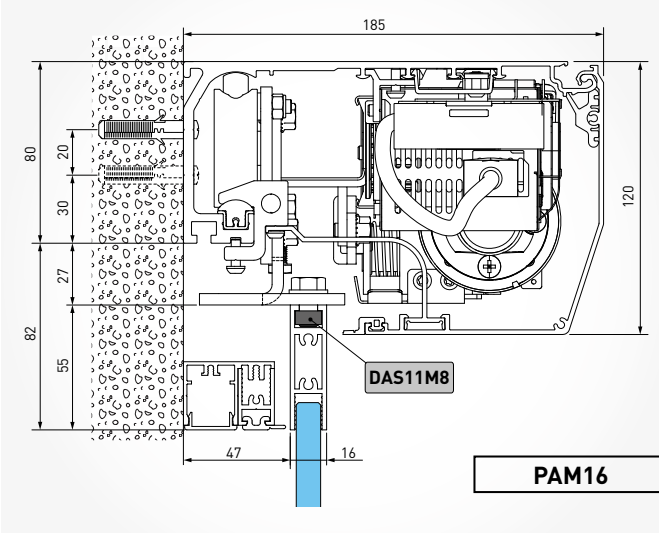
Series profiles ALU48 - DAS40M8



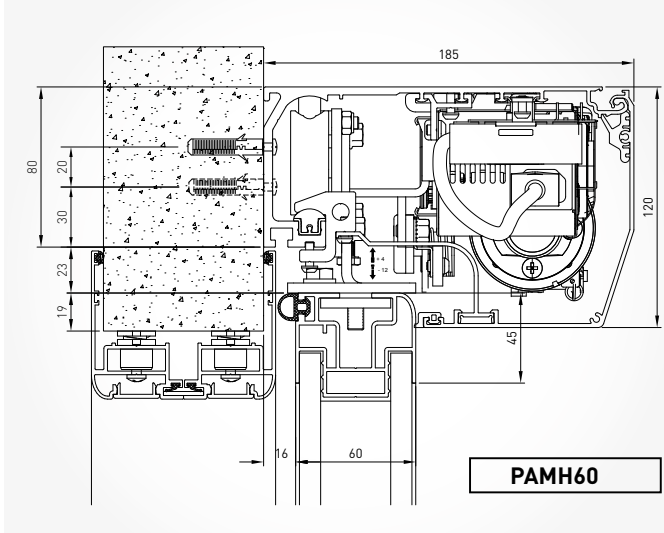
Series profiles PAM 30 - DAS11M8



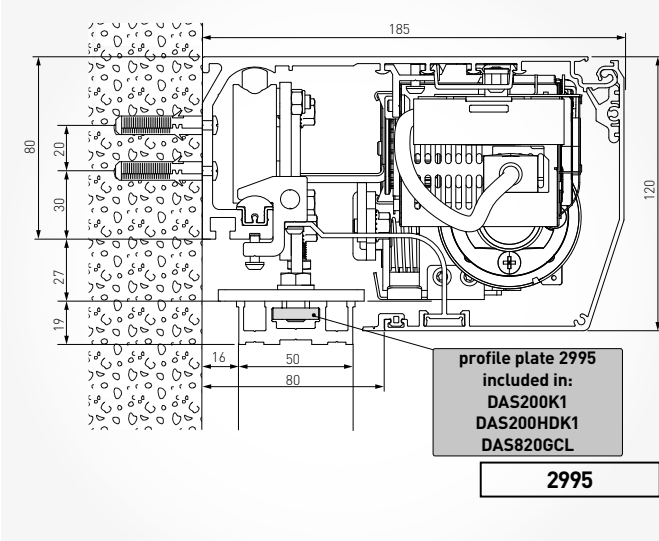
Series profiles PAM 16 - DAS11M8



Series profiles PAMH60 - DAS35M8

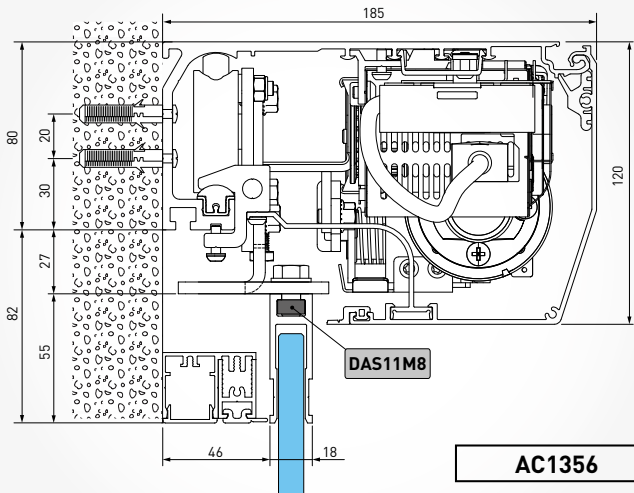


Generic frame - 2995



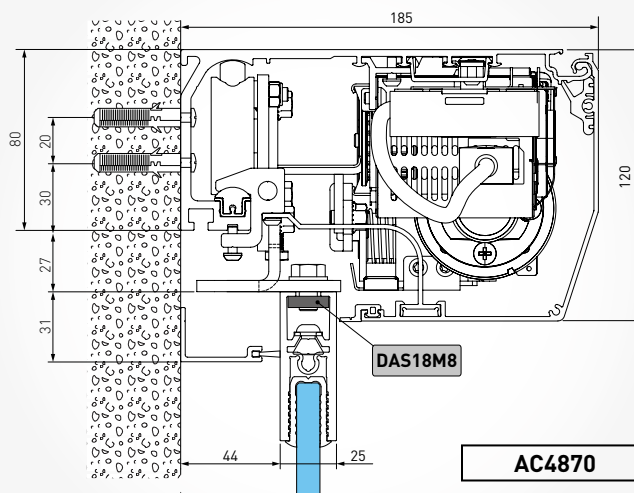
FIXING PLATES SELECTION TABLE - DAS200 and DAS200HD

Series profiles AC1356 - DAS11M8



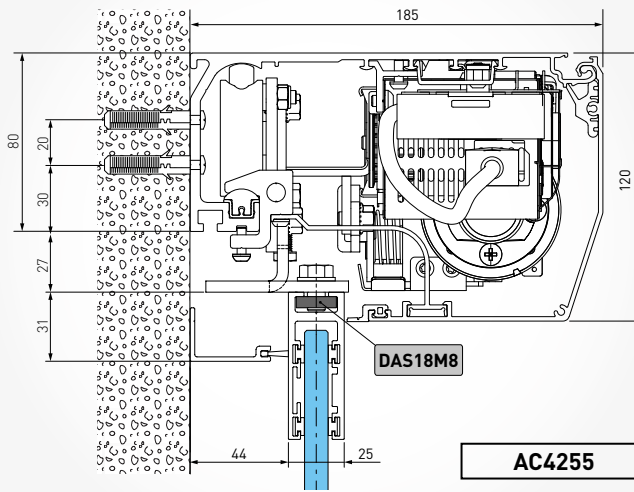
AC1356

Series profiles AC4870 - DAS18M8



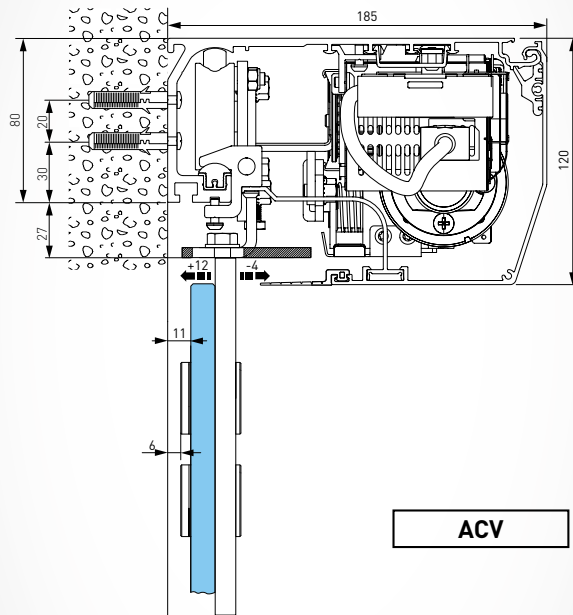
AC4870

Series profiles AC4255 - DAS18M8



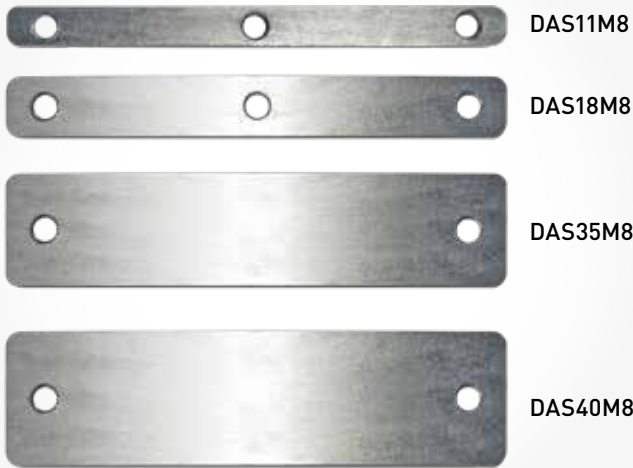
AC4255

Series profiles ACV



ACV

Fixing plates



DAS11M8

DAS18M8

DAS35M8

DAS40M8



KIT

Basic automation

| Article Code | Article Description |
|----------------------|--|
| PMDAS200HDK1 | Fixed component kit for 1 DAS200HD wing The kit contains, in one box, the components, bolts and screws required for creating an automation system, including: - 1 power supply - 1 gear motor - 1 control unit - N° 2 trolleys + door holders + 2995 fixing plates for commercial frames - 1 pulley - mechanical stops, end caps, brackets for cover |
| PMDAS200TKA | Additional fixed component kit for 1+1 wing DAS200T |
| PMDAS820TGCL | 3 rd -4 th wing trolleys |
| PMDAS820CLS | Additional trolley for door wing > 1600 mm |
| PMDAS200B44G | Casing L = 4450 mill finish |
| PMDAS200B66G | Casing L = 6650 mill finish |
| PMDAS200B44N | Casing L = 4450 EURAS C0 |
| PMDAS200B66N | Casing L = 6650 EURAS C0 |
| PMDAS200TB66G | Additional casing for telescopic application L = 6650 mill finish |
| PMDAS200TB66N | Additional casing for telescopic application L = 6650 EURAS C0 |
| PMV3464N44 | Sliding guide L = 4450 EURAS C0 |
| PMV3464N66 | Sliding guide L = 6650 EURAS C0 |
| PMRGR346580 | Guide vibration proof gasket (80 m roll) |
| PMDAS802B50 | Transmission belt 50 m |

Front cover

| Article Code | Article Description |
|---------------------|--|
| PMDAS200C44G | Cover L = 4450 mill finish |
| PMDAS200C66G | Cover L = 6650 mill finish |
| PMDAS200C44N | Cover L = 4450 EURAS C0 |
| PMDAS200C66N | Cover L = 6650 EURAS C0 |
| PMRGR351180 | Adjustable gasket for bottom side of cover (no. 4 rolls of 20 m) |

Note: To check the position of the components and the specific accessories, please refer to the "WIZARD DAS" program

Ditec DAS200T

Automation for commercial telescopic sliding doors

| | | |
|---------------------|------------|-------------|
| Max capacities | 1 + 1 wing | 2 + 2 wings |
| Max very heavy duty | 240 Kg | 320 Kg |

KIT

Specific accessories

| Article Code | Article Description |
|---------------|--|
| PMDAS802LOK | Wing stop device complete with brackets, without release handle |
| PMDAS802LOKA | Anti-panic system complete with brackets, without release handle |
| PMDAS802MLOKA | Fail safe electromagnetic locking device |
| PMDAS802LOKB | Two position block system complete with brackets, without release handle (DAS902MP required) |
| PMLOKSBM | Manual release handle, wall mounted |
| PMDASLOKSB | Manual release handle integrated in the casing |
| PMDAS901BAT1 | Emergency battery (12 Vdc) |
| PMDAS902BAT2 | Back-up battery (24 Vdc) |
| PMDAS902MP | Plus Module PCB (required for DAS802LOKB) |
| PMDAS800CMP | Plus Module PCB cable extension |
| PMDAS800CPS | Power supply cable extension L = 2400 mm |
| PMDAS900PH1A | Pair of photocells |
| PMDAS40M8 | N° 4 fixing plates (1+1 wings) for ALU48 |
| PMDASTAC16 | Brackets kit and fixing plates for AC1356/PAM16 (1+1 wing) |
| PMDASTAC | Brackets kit and fixing plates for AC4255/AC4870 (1+1 wing) |
| PMDAST30 | Brackets kit and fixing plates for PAM30 (1+1 wing) |
| PMDAS802RJ45 | RJ45 connector for DAS900CTI |
| PMDAS802RJA | RJ45 adapter for electronic selectors (COM502ES/COM502ER) |
| PMDAS900FM | Magnetic limit switch indicator micro kit |



DAS802LOK



DAS802LOKA



DAS802LOKB



DAS902MP

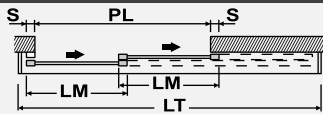
Ditec DAS200T

Automation for commercial telescopic sliding doors

| | | |
|---------------------|------------|-------------|
| Max capacities | 1 + 1 wing | 2 + 2 wings |
| Max very heavy duty | 240 Kg | 320 Kg |

ASSEMBLED

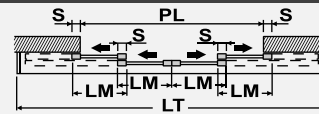
1 Wing



| Code Up to | Dimensioning - mm | | | Basic automation With MILL FINISH aluminium casing |
|----------------|--------------------------------------|--|-----------------------------|---|
| | PL= Nominal transit opening | LM=wing S=overlap with S=50+50 nominal | LT= Automation length | |
| PMDAS200TA1L20 | 1237 | 693 | 2000 | |
| PMDAS200TA1L22 | 1370 | 760 | 2200 | |
| PMDAS200TA1L26 | 1637 | 893 | 2600 | |
| PMDAS200TA1L30 | 1903 | 1027 | 3000 | |
| PMDAS200TA1L33 | 2103 | 1127 | 3300 | |
| PMDAS200TA1L36 | 2303 | 1227 | 3600 | |
| PMDAS200TA1L40 | 2570 | 1360 | 4000 | |
| PMDAS200TA1L44 | 2837 | 1493 | 4400 | |
| PMDAS200TA1L66 | 4303 | 2227 | 6600 | |

Basic automation price including:
fixed component kit for 1 wing, casing, belt, door attachment
bracket 2995

2 Wings



| Code Up to | Dimensioning - mm | | | Basic automation With MILL FINISH aluminium casing |
|----------------|--------------------------------------|--|-----------------------------|---|
| | PL= Nominal transit opening | LM=wing S=overlap with S=50+50 nominal | LT= Automation length | |
| - | - | - | - | |
| - | - | - | - | |
| - | - | - | - | |
| PMDAS200TA2L30 | 1920 | 2 x 530 | 3000 | |
| PMDAS200TA2L33 | 2120 | 2 x 580 | 3300 | |
| PMDAS200TA2L36 | 2320 | 2 x 630 | 3600 | |
| PMDAS200TA2L40 | 2587 | 2 x 697 | 4000 | |
| PMDAS200TA2L44 | 2853 | 2 x 763 | 4400 | |
| PMDAS200TA2L66 | 4320 | 2 x 1130 | 6600 | |

Basic automation price including:
fixed component kit for 1 wing, casing, trolleys for 2nd wing,
belt, door attachment bracket 2995

Note: To check the position of the components or when Ditec or generic frames are used with S overlap different from the one shown, or with other additional specific accessories, please refer to the "WIZARD DAS" program

Note: Finally, the fixing plates must be added (please see pages 38-39)

Specific accessories

| Article Code | Article Description |
|-----------------|--|
| PMSPDAS802LOK | Wing stop device complete with brackets, without release handle, assembled |
| PMSPDAS802LOKA | Anti-panic system complete with brackets, without release handle, assembled |
| PMSPDAS802MLOKA | Fail safe electromagnetic locking device, assembled |
| PMSPDAS802LOKB | Two position block system complete with brackets, without release handle, assembled (DAS902MP required) |
| PMSPDASLOKSB | Manual release handle integrated in the casing, assembled |
| PMSPDAS901BAT1 | Emergency battery (12 Vdc), assembled |
| PMSPDAS902BAT2 | Back-up battery (24 Vdc), assembled |
| PMSPDAS902MP | Plus Module PCB (required for DAS802LOKB), assembled |
| PMSPDAS800CMP | Plus Module PCB cable extension, assembled |
| PMSPDAS800CPS | Power supply cable extension L = 2400 mm, assembled |
| PMSPDAS800KPI | PAS005AP detection safety sensor built in the cover, assembled |
| PMSPDAS802RJ45 | RJ45 connector for DAS900CTI, assembled |
| PMSPDAS900FM | Magnetic limit switch indicator micro kit, assembled |

Ditec DAS200T

Automation for commercial telescopic sliding doors

| Max capacities | 1 + 1 wing | 2 + 2 wings |
|---------------------|------------|-------------|
| Max very heavy duty | 240 Kg | 320 Kg |

ASSEMBLED

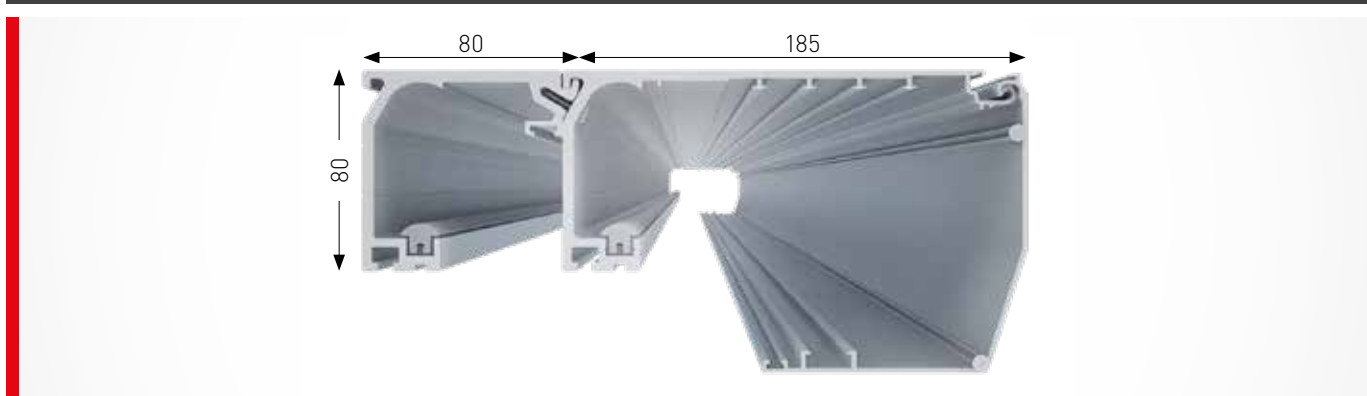
Transformation into version for emergency exits

| Article Code | Article Description |
|--------------|---|
| PMSPDAS200RG | Surcharge to update to redundant version (including battery DAS902BAT2) |

Front cover

| Standard casing length | | MILL FINISH | | Standard casing length | | EURAS C0 | |
|------------------------|------------|-------------|--|------------------------|------------|----------|--|
| mm | Code Up to | | | mm | Code Up to | | |
| 2000 | PMCRDASG20 | | | 2000 | PMCRDASN20 | | |
| 2200 | PMCRDASG22 | | | 2200 | PMCRDASN22 | | |
| 2600 | PMCRDASG26 | | | 2600 | PMCRDASN26 | | |
| 3000 | PMCRDASG30 | | | 3000 | PMCRDASN30 | | |
| 3300 | PMCRDASG33 | | | 3300 | PMCRDASN33 | | |
| 3600 | PMCRDASG36 | | | 3600 | PMCRDASN36 | | |
| 4000 | PMCRDASG40 | | | 4000 | PMCRDASN40 | | |
| 4400 | PMCRDASG44 | | | 4400 | PMCRDASN44 | | |
| 6600 | PMCRDASG66 | | | 6600 | PMCRDASN66 | | |

QUICK AND SAFE INSTALLATION



Ditec DAS200T

Automation for commercial telescopic sliding doors

Function-selectors

| Article Code | Article Description |
|--------------|---------------------|
|--------------|---------------------|

Mechanical

- | | |
|-------------|--|
| PMCOM501MKS | Mechanical function-selector with key operation |
| PMCOM501MHS | Mechanical function-selector with handle operation |

Digital

- | | |
|------------|--------------------------------------|
| PMCOM500ES | Digital electronic function-selector |
|------------|--------------------------------------|

Electronic

- | | |
|------------|---|
| PMCOM501ES | Electronic capacitive touch function-selector with Bluetooth® module and RJ45 connector for interface Configuration Tool DAS900CTI |
| PMCOM501ER | Electronic capacitive touch function-selector and security key with Bluetooth® module and RJ45 connector for interface Configuration Tool DAS900CTI |
| PMCOM502ES | Electronic capacitive touch function-selector with Bluetooth® module |
| PMCOM502ER | Electronic function-selector with capacitive touch push buttons, protection key (Euro cylinder) and Bluetooth® module |

Accessories

| Article Code | Article Description |
|--------------|---------------------|
|--------------|---------------------|

- | | |
|---------|---|
| PMCOMAR | Double external square box for COM502ER |
|---------|---|

Configuration accessories - Configuration Tool

| Article Code | Article Description |
|--------------|---------------------|
|--------------|---------------------|

- | | |
|-------------|--|
| PMDAS900CT | Configuration Tool, Configuration App for tablet (only for Android devices) |
| PMDAS900CTI | Bluetooth® interface for direct connection between the Control Panel and the Slider Configuration Tool |



COM501MKS - COM501MHS



COM501ER - COM501ES

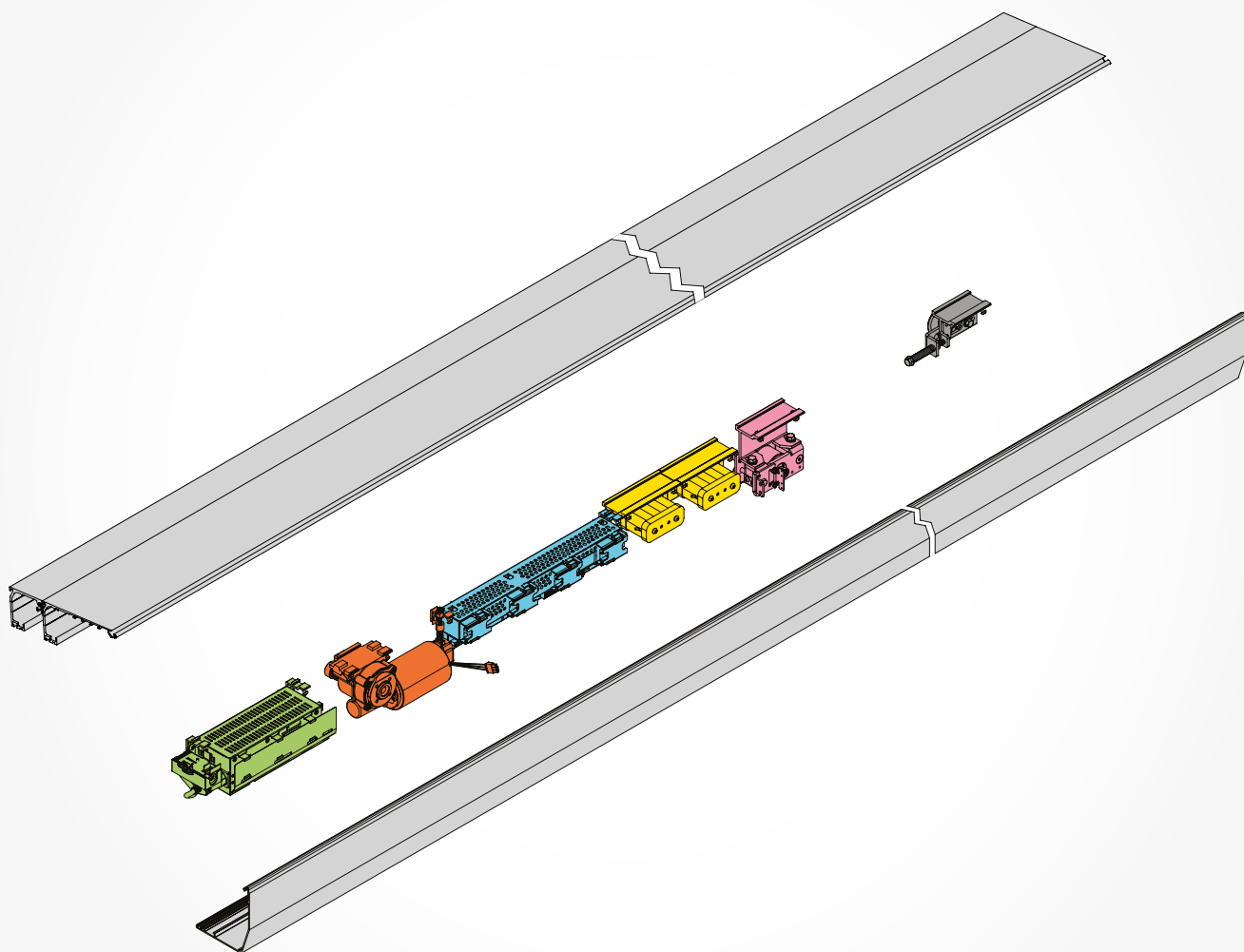


COM502ES



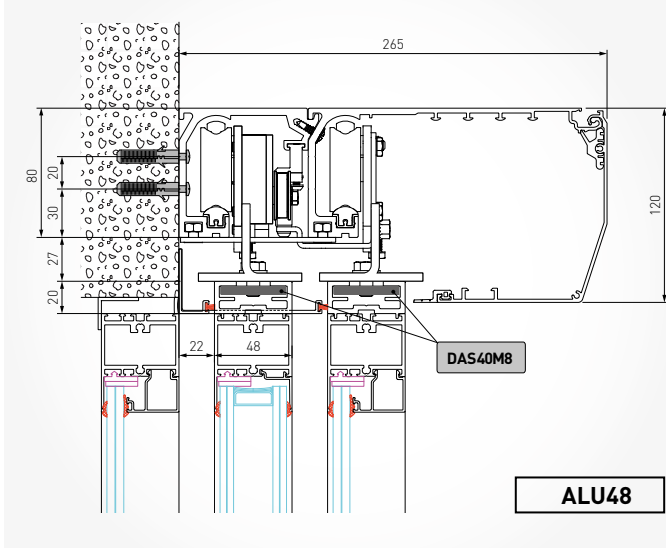
COM502ER

A PRACTICAL REAR BEAM, WHICH MATCHES WITH THE MAIN CASING

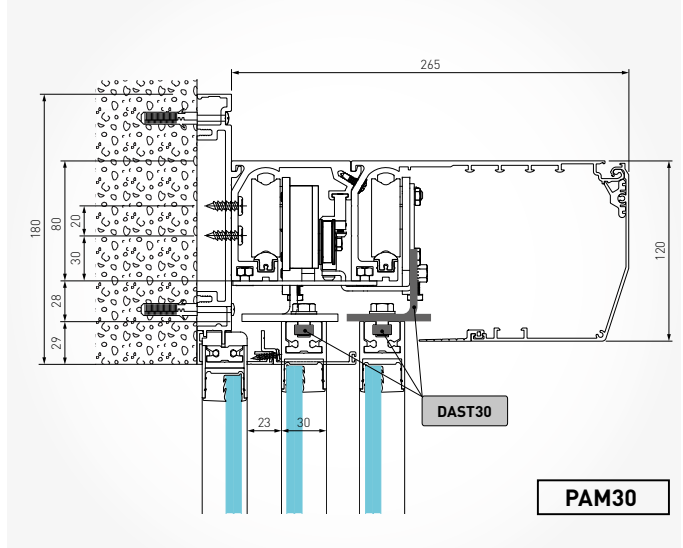


DOOR HOLDERS AND FIXING PLATES SELECTION TABLE

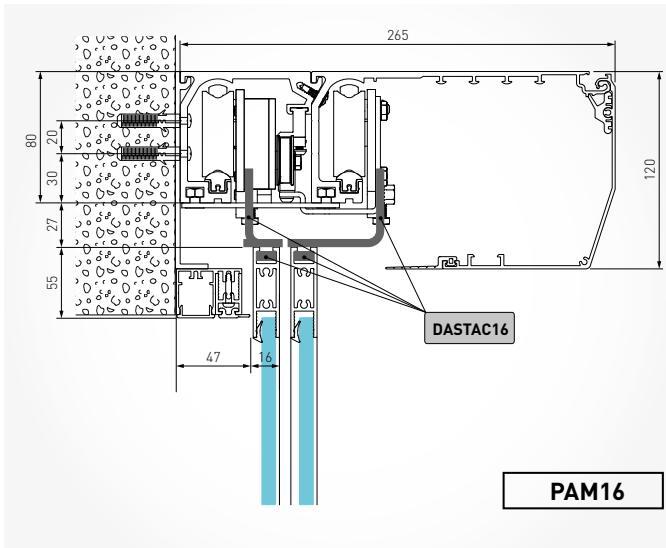
Series profiles ALU48 - DAS40M8



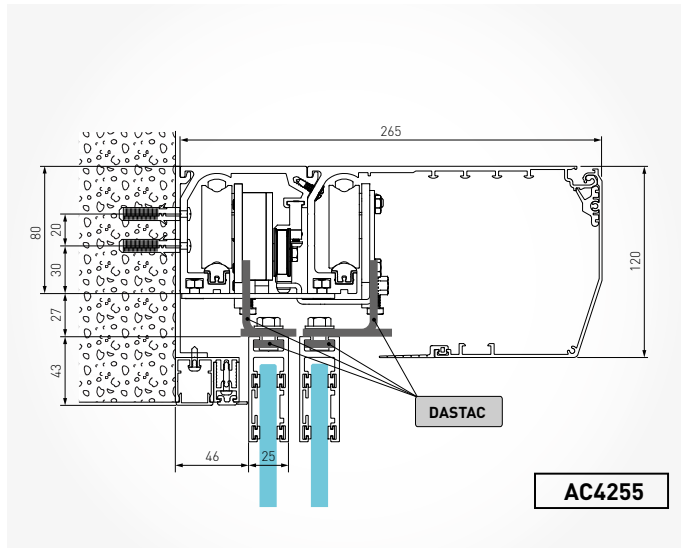
Series profiles PAM 30 - DAST30



Series profiles PAM 16 - DASTAC16

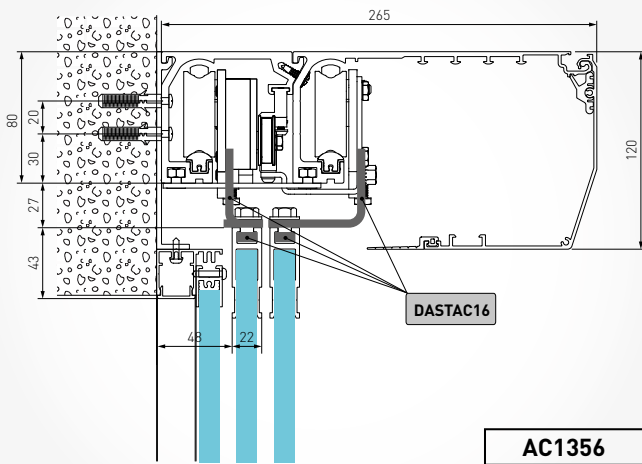


Series profiles AC4255 - DASTAC



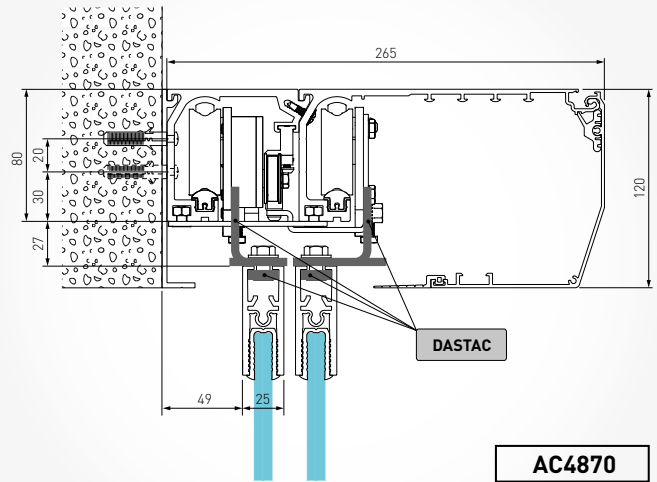
DOOR HOLDERS AND FIXING PLATES SELECTION TABLE

Series profiles AC1356 - DASTAC16



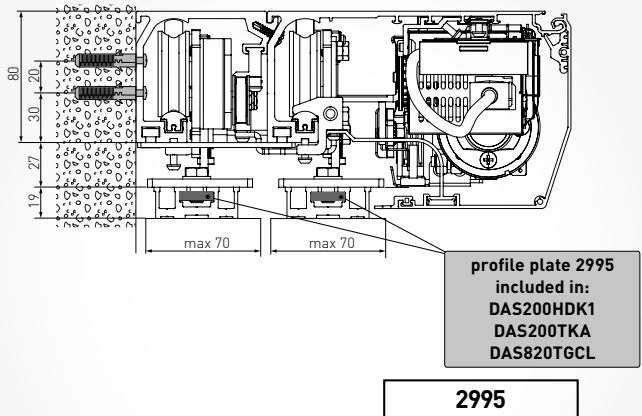
AC1356

Series profiles AC4870 - DASTAC



AC4870

Generic frame - 2995



2995

Fixing plates



Ditec DAS200 how to compose the range

KIT

DAS200



fixed components kit for
1 DAS200 wing

DAS200HD



fixed components kit for
1 DAS200HD wing

DAS200T



fixed components kit for
1+1 DAS200HD telescopic wings



ASSEMBLED

Ditec DAS200
how to compose
the range

DAS200



assembled code DAS200



assembled front cover

DAS200HD



assembled code DAS200HD



assembled front cover

DAS200T



assembled code DAS200T



assembled front cover



Ditec DAS200RG DAS200TRG



Ditec DAS is the most complete range of automations for sliding, commercial, pedestrian doors, suitable for every possible need starting with escape route systems.

The solutions of the DAS range cover the regulatory requirements of every market, and include:

- Redundant anti-panic system with DAS200RG, and the telescopic version DAS200TRG
- Break-out anti-panic system available on DAS200 e DAS200HD

INNOVATIVE
DESIGN



CERTIFIED



INTELLIGENT



SMART THINGS



Technical specifications

| | DAS200RG | DAS200TRG |
|--|---|---|
| Description | automation for sliding doors | automation for telescopic sliding doors |
| Special uses | redundant emergency system | redundant emergency system |
| Max. wing weight | 150 kg (1 wing) 280 kg (2 wing) | 240 kg (1+1 wing) 320 kg (2+2 wing) |
| Clear passage | 765 - 3215 mm (1 wing) 865 - 3240 mm (2 wings) | 1370 - 4303 mm (1+1 wing) 1587 - 4320 mm (2+2 wings) |
| Product dimensions mm (HxWxL) | 120 x 185 x L | 120 x 265 x L |
| Max. opening and closing speed (2 wings) | 1.6 m/s | 1.6 m/s |
| Power supply | 100 ÷ 240 Vac, -10%/+10%; 50/60 Hz | 100 ÷ 240 Vac, -10%/+10%; 50/60 Hz |
| Power supply rated power | 150 W | 150 W |
| Accessories power supply | 24 V=/1 A | 24 V=/1 A |
| Protection rating | IP20 | IP20 |
| Approvals | TÜV | TÜV |
| Control panel | 1DAS20RGQE | 1DAS20RGQE |

Main functions

| | DAS200RG - DAS200TRG |
|---|------------------------------------|
| Control panel | 1DAS20RGQE |
| Power supply | 100 ÷ 240 Vac, -10%/+10%; 50/60 Hz |
| Batteries | 24 Vdc |
| Hold force adjustment | ■ |
| Obstacle detection (stop while opening or reverse while closing) | ■ |
| Automatic passage opening width selection (depending on the flow of people) | ■ |
| Hold open time | 0 - 60 s |
| Presence hold open time | 0 - 60 s |
| Opening safety function (speed limiting) | ■ |
| Battery energy saving function in case of power failure | ■ |
| Emergency reverse with presence sensor | ■ (compliant with EN 16005) |
| Safety test and safety monitoring function | ■ (compliant with EN 16005) |
| "Fire alarm" function | ■ (optional with DAS902MP) |
| Emergency opening function | ■ |



INTELLIGENT

- An advanced control panel autonomously manages the regular checks carried out to ensure each component is working properly, and guarantees the opening of the door in the event of:
 - A power supply failure
 - A fire alarm signal
 - Partial or total system malfunctioning
- **Smart** start-up mode with **self-acquisition** function, including automatic detection and recognition of:
 - Passage opening
 - Door weight
 - Anti-panic lock device presence
 - Back-up 24 Vdc battery
- Superior **energy efficiency** with a **switching power supply unit** offering a wide range of operating voltages
- **Digital programming** with over 90 parameters including **speed, timer, position** and **emergency function** parameters



INNOVATIVE DESIGN

- The **arrow design** on the front creates a **distinctive identity** that is easily recognizable and gives the product a **slim (120 mm height of cover)** and elegant look
 - The horizontally breakline creates a bold and **strong brand image**
- The Ditec design is intended to **make customers' lives easier** and to **optimise stock** management and logistics
- Just **one casing** for all the operators of the DAS200 family
 - A **practical rear beam**, which matches with the main casing, for a fast and safe **telescopic** door installation, reducing the complexity of the old stock
 - The **same carriage unit** and **door holder** for all applications (Ditec framed and glass panel doors, commercail doors)
 - Steel lateral heads for a **secure mechanical connection** to the casing **and an elegant look**



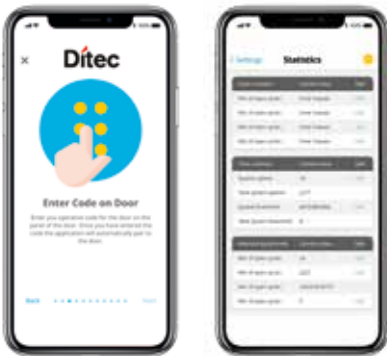
CERTIFIED

- **EN 16005:2023** - Powered pedestrian door
- **DIN 18650:2010 - 1 and 2** - Powered pedestrian door
- **AutSchR:1997**
- **EN 60335 - 1 and 2** - Safety electrical appliances
- **EN ISO 13849 - 1** - Safety of machinery
- **2006/42/EC** - Machinery Directive
- **2014/30/EU** - Electromagnetic Compatibility Directive
- **2011/65/EU** - RoHS Restriction of Hazardous Substances
- **1907/2006/EC** - REACH Registration, Evaluation, Authorisation and Restriction of Chemicals



SMART THINGS

Ditec offers two different **App** based solutions - one of the **end user** and one for the **installer** - for a smart management and control of DAS automatic doors.



DITEC DOOR CONNECT



Free App available on Play Store and App Store.

For use with latest generation Bluetooth®-equipped COM501 and COM502 function-selectors, offering the end user access to the following features:

- 5 functions, including **RESET**
- Download and send **events** and **statistics log**
- Download and send **error log**
- Add and manage **App users** (up to 7)
- Manage setting of **partial opening** and **timer-controlled automatic closing parameters**
- **People count and flow control management**

SLIDER CONFIGURATION TOOL



An **advanced software** (DAS900CT) **for installers**, allowing the **complete configuration** and management of DAS automation from a tablet (requires DAS900CTI interface).

This software offers the **installer** the following features:

- Usage of 5 controller functions, including **RESET**
- **Configure all parameters** of the control panel
- Download and upload **preset parameter configurations**
- Manage **events** and **errors log**
- Manage complete **statistics log**
- Electrical board software update





KIT

Basic automation

| Article Code | Article Description |
|---------------------|--|
| PMDAS200RGK1 | Fixed component kit for 1 redundant DAS200RG wing The kit contains, in one box, the components, bolts and screws required for creating an automation system, including: - 1 power supply - 1 gear motor - 1 control unit - N° 2 trolleys + door holders + 2995 fixing plates for commercial frames - 1 pulley - mechanical stops, end caps. brackets for cover |
| PMDAS902BAT2 | Battery (24 Vdc) |
| PMDAS820GCL | Trolleys for 2 nd wing + door holders + 2995 fixing plates for commercial frames |
| PMDAS820CLS | Additional trolley for door wing > 1600 mm |
| PMDAS200B44G | Casing L = 4450 mill finish |
| PMDAS200B66G | Casing L = 6650 mill finish |
| PMDAS200B44N | Casing L = 4450 EURAS C0 |
| PMDAS200B66N | Casing L = 6650 EURAS C0 |
| PMV3464N44 | Sliding guide L = 4450 EURAS C0 |
| PMV3464N66 | Sliding guide L = 6650 EURAS C0 |
| PMRGR346580 | Guide vibration proof gasket (80 m roll) |
| PMDAS802B50 | Transmission belt 50 m |

Front cover

| Article Code | Article Description |
|---------------------|--|
| PMDAS200C44G | Cover L = 4450 mill finish |
| PMDAS200C66G | Cover L = 6650 mill finish |
| PMDAS200C44N | Cover L = 4450 EURAS C0 |
| PMDAS200C66N | Cover L = 6650 EURAS C0 |
| PMRGR351180 | Adjustable gasket for bottom side of cover (no. 4 rolls of 20 m) |

Note: To check the position of the components and the specific accessories, please refer to the "WIZARD DAS" program

Specific accessories

| Article Code | Article Description |
|------------------|---|
| PMDAS11M8 | N° 4 fixing plates (n° 2 wings) for AC1356, PAM16 and PAM30 |
| PMDAS18M8 | N° 4 fixing plates (n° 2 wings) for AC4255 and AC4870 |
| PMDAS40M8 | N° 4 fixing plates (n° 2 wings) for ALU48 |



KIT

Basic automation

| Article Code | Article Description |
|----------------------|--|
| PMDAS200RGK1 | Fixed component kit for 1 redundant DAS200RG wing The kit contains, in one box, the components, bolts and screws required for creating an automation system, including: - 1 power supply - 1 gear motor - 1 control unit - N° 2 trolleys + door holders + 2995 fixing plates for commercial frames - 1 pulley - mechanical stops, end caps, brackets for cover |
| PMDAS902BAT2 | Battery (24 Vdc) |
| PMDAS200TKA | Additional fixed component kit for 1+1 wing DAS200T |
| PMDAS820TGCL | 3 rd -4 th wing trolleys |
| PMDAS820CLS | Additional trolley for door wing > 1600 mm |
| PMDAS200B44G | Casing L = 4450 mill finish |
| PMDAS200B66G | Casing L = 6650 mill finish |
| PMDAS200B44N | Casing L = 4450 EURAS C0 |
| PMDAS200B66N | Casing L = 6650 EURAS C0 |
| PMDAS200TB66G | Additional casing for telescopic application L = 6650 mill finish |
| PMDAS200TB66N | Additional casing for telescopic application L = 6650 EURAS C0 |
| PMV3464N44 | Sliding guide L = 4450 EURAS C0 |
| PMV3464N66 | Sliding guide L = 6650 EURAS C0 |
| PMRGR346580 | Guide vibration proof gasket (80 m roll) |
| PMDAS802B50 | Transmission belt 50 m |

Front cover

| Article Code | Article Description |
|---------------------|--|
| PMDAS200C44G | Cover L = 4450 mill finish |
| PMDAS200C66G | Cover L = 6650 mill finish |
| PMDAS200C44N | Cover L = 4450 EURAS C0 |
| PMDAS200C66N | Cover L = 6650 EURAS C0 |
| PMRGR351180 | Adjustable gasket for bottom side of cover (no. 4 rolls of 20 m) |

Note: To check the position of the components and the specific accessories, please refer to the "WIZARD DAS" program

Specific accessories

| Article Code | Article Description |
|-------------------|---|
| PMDAS40M8 | Fixing plates kit for ALU48 |
| PMDASTAC16 | Brackets kit and fixing plates kit for AC1356/PAM16 (1+1 wing) |
| PMDASTAC | Brackets kit and fixing plates kit for AC4255/AC4870 (1+1 wing) |
| PMDAST30 | Brackets kit and fixing plates kit for PAM30 (1+1 wing) |

Ditec DAS200RG - DAS200TRG

Automation for commercial sliding doors,
redundant system with double gearmotor

KIT

| | | |
|--------------------------|------------|-------------|
| Max capacities DAS200RG | 1 wing | 2 wings |
| Max very heavy duty | 150 Kg | 280 Kg |
| Max capacities DAS200TRG | 1 + 1 wing | 2 + 2 wings |
| Max very heavy duty | 240 Kg | 320 Kg |

Specific accessories

| Article Code | Article Description |
|---------------|--|
| PMDAS802LOKA | Anti-panic system complete with brackets, without release handle |
| PMDAS802MLOKA | Fail safe electromagnetic locking device |
| PMDAS802LOKB | Two position block system complete with brackets, without release handle (DAS902MP required) |
| PMLOKSBM | Manual release handle, wall mounted |
| PMDASLOKSB | Manual release handle integrated in the casing |
| PMDAS902MP | Plus Module PCB (required for DAS802LOKB) |
| PMDAS800CMP | Plus Module PCB cable extension |
| PMDAS800CPS | Power supply cable extension L = 2400 mm |
| PMDAS900PH1A | Pair of photocells |
| PMDAS802RJ45 | RJ45 connector for DAS900CTI |
| PMDAS802RJA | RJ45 adapter for electronic selectors (COM502ES/COM502ER) |
| PMDAS900FM | Magnetic limit switch indicator micro kit |



COM501MKS



COM501ER - COM501ES



DASLOKSBM



COM502ER

Ditec DAS200RG - DAS200TRG

Automation for commercial sliding doors,
redundant system with double gearmotor

| | | |
|--------------------------|------------|-------------|
| Max capacities DAS200RG | 1 wing | 2 wings |
| Max very heavy duty | 150 Kg | 280 Kg |
| Max capacities DAS200TRG | 1 + 1 wing | 2 + 2 wings |
| Max very heavy duty | 240 Kg | 320 Kg |

Assembled automation

| Article Code | Article Description |
|--------------|---|
| PMSPDAS200RG | Surcharge to update to redundant version (including battery DAS902BAT2) |

Note: Assembled automations is composed by: assembled code DAS200HD + surcharge to update to redundant version.
Example: 1 wing automation DAS200HDA1L30 with LT = 3000 mm + SPDAS200RG

Function-selectors

| Article Code | Article Description |
|-------------------|--|
| Mechanical | |
| PMCOM501MKS | Mechanical function-selector with key operation |
| Electronic | |
| PMCOM501ES | Electronic capacitive touch function-selector with Bluetooth® module and RJ45 connetor for interface Configuration Tool DAS900CTI |
| PMCOM501ER | Electronic capacitive touch function-selector and security key with Bluetooth® module and RJ45 connetor for interface Configuration Tool DAS900CTI |
| PMCOM502ES | Electronic capacitive touch function-selector with Bluetooth® module |
| PMCOM502ER | Electronic function-selector with capacitive touch push buttons, protection key (Euro cylinder) and Bluetooth® module |

Accessories

| Article Code | Article Description |
|--------------|---|
| PMCOMAR | Double external square box for COM502ER |

Configuration accessories - Configuration Tool

| Article Code | Article Description |
|--------------|--|
| PMDAS900CT | Configuration Tool. Configuration App for tablet (only for Android devices) |
| PMDAS900CTI | Bluetooth® interface for direct connection between the Control Panel and the Slider Configuration Tool |

Push-buttons and devices

| Article Code | Article Description |
|--------------|---|
| PM0PSE | Red emergency button |
| PM0PSEV | Green emergency pushbutton with key operated release device |

DUAL TECHNOLOGY - Active infrared 24 GHz microwaves (EN 16005)

| Article Code | Article Description |
|--------------|---|
| PMPAS024ADT | *Dual technology self testing sensor, 24 GHz microwaves and active infrared, dual function, for redundant sliding doors safe operation, 12÷30 Vdc - IP 54 |
| PMPAS024AMR | *Dual technology self testing sensor, with LCD menu, 24 GHz microwaves and active infrared, dual function, for redundant sliding doors safe operation, 12÷30 Vdc - IP 54 |

*compliant with the EN 16005 standard

Ditec DAS200R

how to compose the range

KIT

DAS200RG

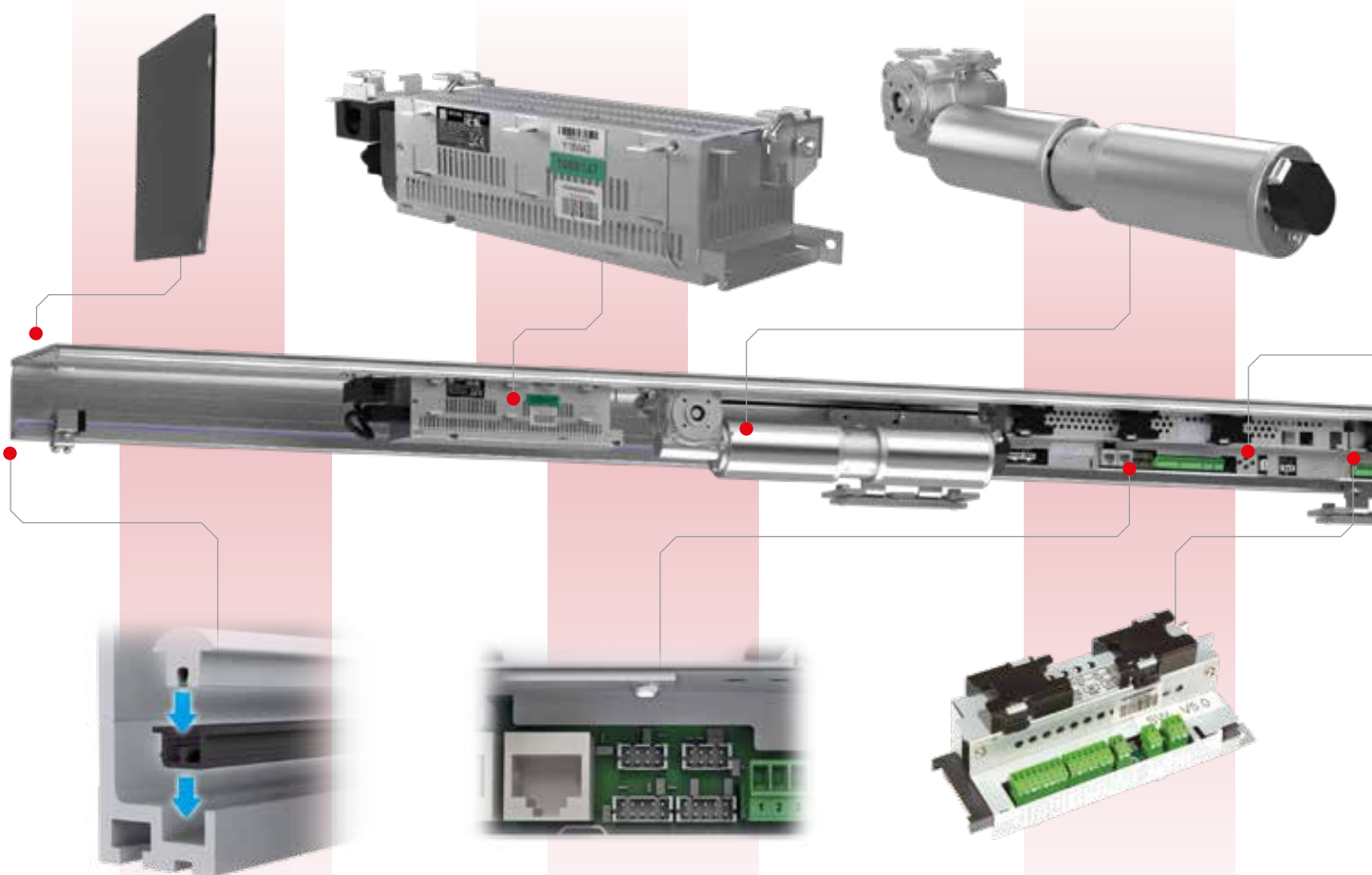


fixed components kit for
1 DAS200RG redundant wing

DAS200TRG



fixed components kit for
1+1 DAS200RG
telescopic
redundant wings



ASSEMBLED

Ditec DAS200R how to compose the range

DAS200RG



assembled code DAS200HD



surcharge to redundant version,
included DAS902BAT2
(SPDAS200RG)



assembled front cover

DAS200TRG



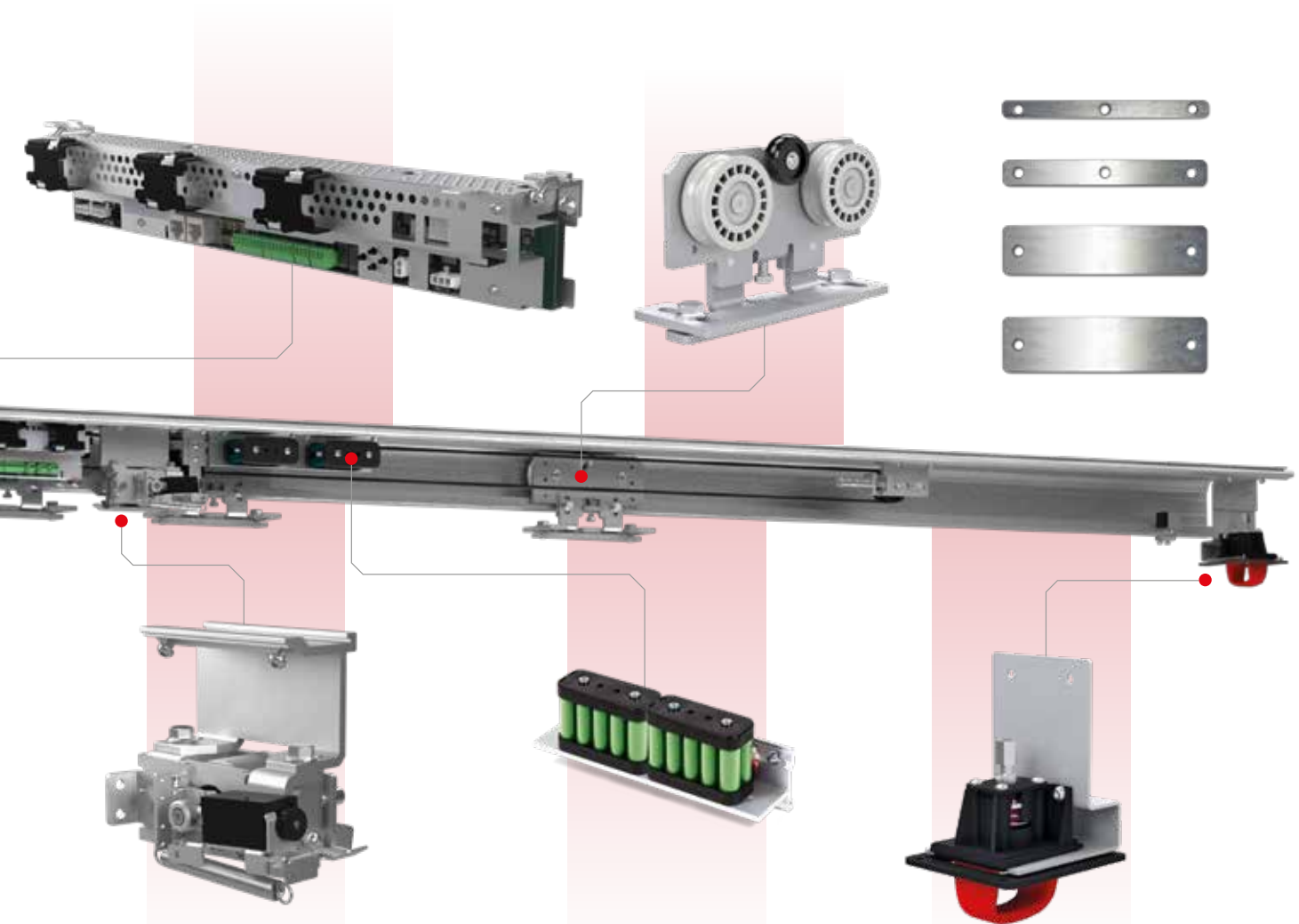
assembled code DAS200T



surcharge to redundant version,
included DAS902BAT2
(SPDAS200RG)



assembled front cover





There are three anti-panic breakout systems available for ALU48 profiles, TÜV SÜD certified:

- **SBO**: breakout system for inward sliding wings only,
 - **RBO**: breakout system for outward sliding wings only,
 - **TBO**: full breakout system for both wings and fixed side panels.
- This device also makes the door suitable as an EMERGENCY EXIT.
They are available for model
- DAS107PLUS
 - DAS200, DAS200HD.

Breakout devices for emergency exits - Framed wings

| Article Code | Description of article |
|---------------|--|
| PMKASM48N | BO Mobile-Wing Breakout Kit |
| PMKASF48 | TBO Side Fixed-Wing Breakout Kit |
| PMKASF | TBO Side Fixed-Wing Breakout Kit - generic doors |
| PMDAS902KRB48 | Container + RBO Photocell Kit for Ditec DAS107PLUS, DAS200, DAS200HD |
| PMDAS902KSB48 | SBO Photocell Kit for Ditec DAS107PLUS, DAS200, DAS200HD |
| PMKSER48 | Hook Lock Kit for Mobile Wing |
| PMKSER481 | Semi Cylinder for KSER48 |
| PMKSER482 | Through Cylinder for KSER48 |

| TBO* - Full breakout inwards sliding doors with fixed side doors | | 1M+1F | | 2M+2F | |
|--|---|-------|----------------------|-------|----------------------|
| Code | Description | ALU48 | Commercial series*** | ALU48 | Commercial series*** |
| PMKASM48N | BO Mobile-Wing Breakout Kit | 1 | 1 | 2 | 2 |
| PMKASF48 | BO Side Fixed-Wing Breakout Kit | 1 | - | 2 | - |
| PMKASF | BO Side Fixed-Wing Breakout Kit - generic doors | - | 1 | - | 2 |
| PMKSER48 | Hook Lock Kit for Mobile Wing | 1 | 1 | 1 | 1 |
| PMKSER481 ** | Semi Cylinder for KSER48 | 1 | 1 | 1 | 1 |
| PMKSER482 ** | Through Cylinder for KSER48 | 1 | 1 | 1 | 1 |

| RBO* - Breakout of outwards sliding wings SBO* - Breakout of sliding inwards wings | | 1MW | | 2MW | |
|---|--|-------|----------------------|-------|----------------------|
| Code | Description | ALU48 | Commercial series*** | ALU48 | Commercial series*** |
| PMKASM48N | BO Mobile-Wing Breakout Kit | 1 | 1 | 2 | 2 |
| PMDAS902KRB48 | RBO Photocell Kit (DAS107PLUS, DAS200, DAS200HD) | 1 | 1 | 1 | 1 |
| PMDAS902KSB48 | SBO Photocell Kit (DAS107PLUS, DAS200, DAS200HD) | 1 | 1 | 1 | 1 |
| PMKSER48 | Hook Lock Kit for Mobile Wing | 1 | 1 | 1 | 1 |
| PMKSER481 ** | Semi Cylinder for KSER48 | 1 | 1 | 1 | 1 |
| PMKSER482 ** | Through Cylinder for KSER48 | 1 | 1 | 1 | 1 |

Notes: * TÜV certified within the limits indicated in the approval (Commercial Series excluded)

** choose only one of the two optional cylinders for each lock

*** in order to complete the installation, the following profiles are also required:



V9834G50 (mill finish) or V9834N50 (Euras C0) breakout-wing attachment

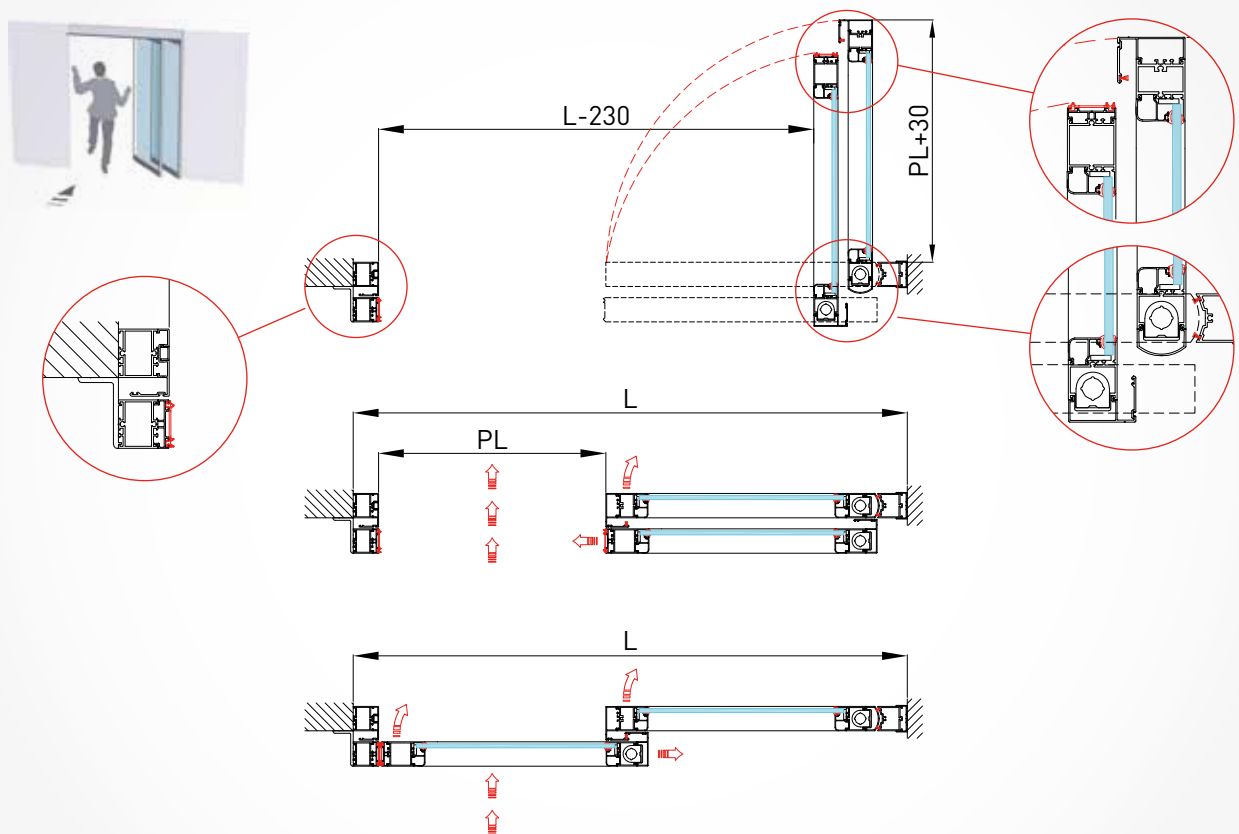
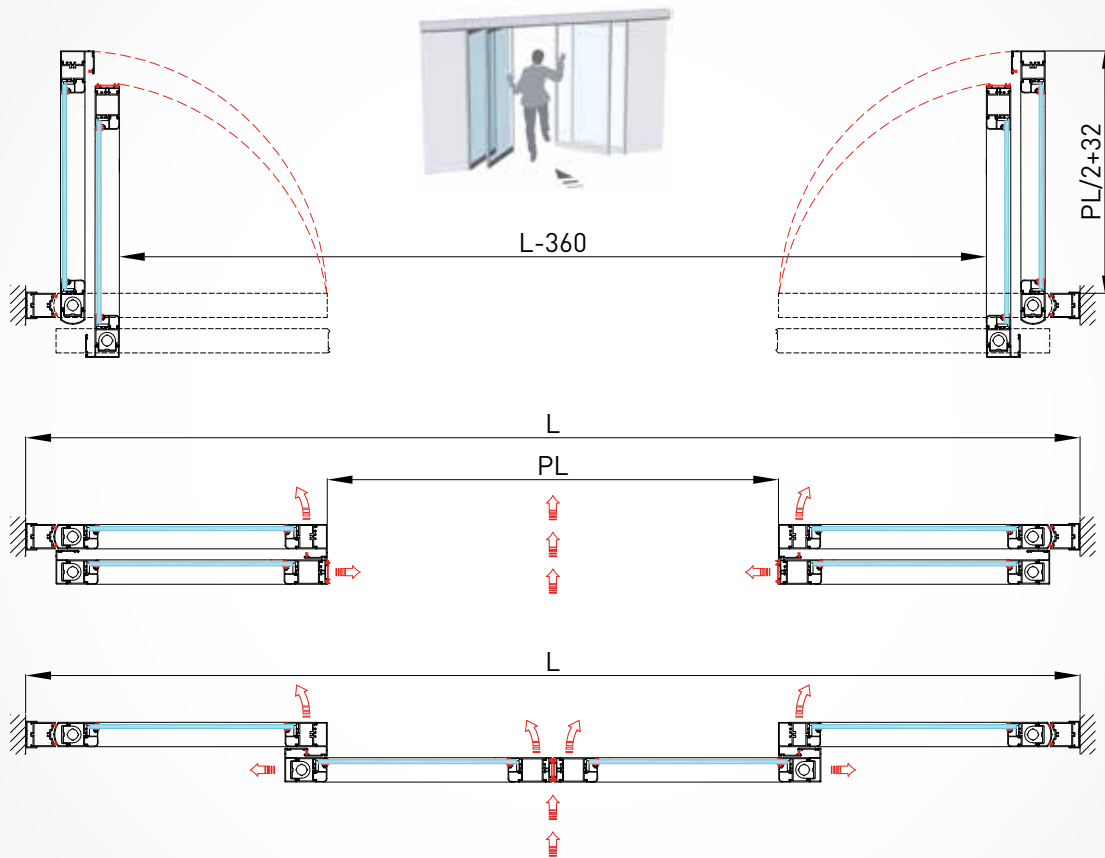
V1600N15 (Euras C0) floor guides for breakout wings

DAS40M8 fixing plate for profile automation bracket V9834

see technical instructions IP2427 and IP2209 in the download area of our website www.ditecautomations.com

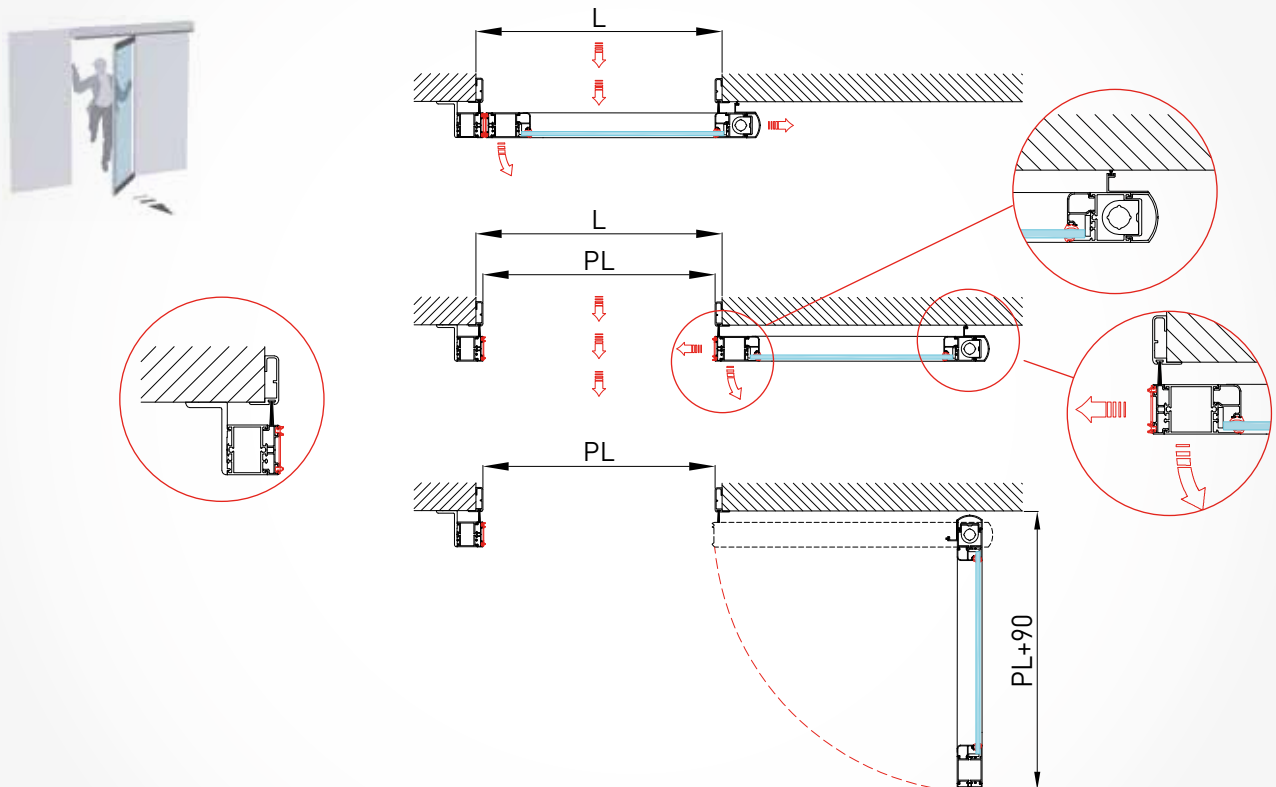
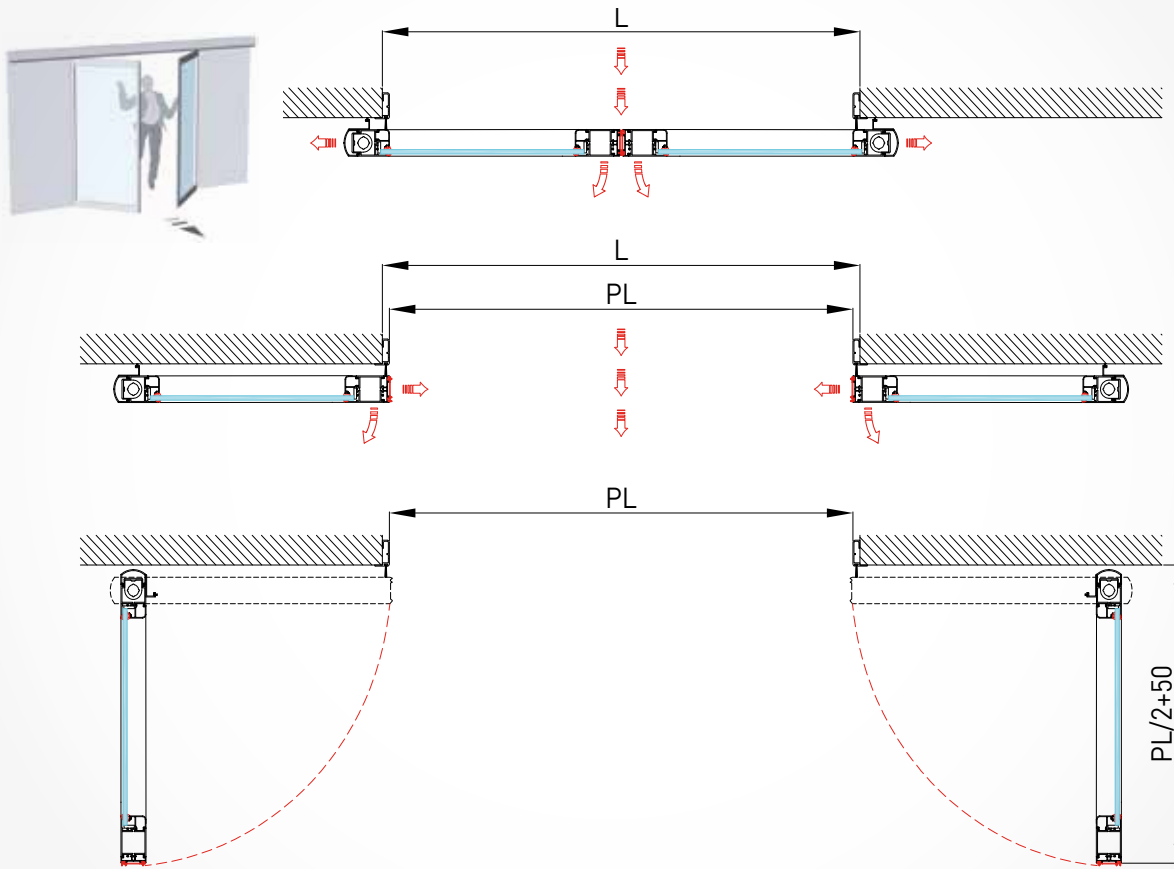
Anti-panic breakout systems TB0

ALU48 TB0 anti-panic full-breakout system



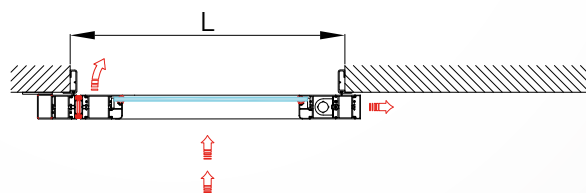
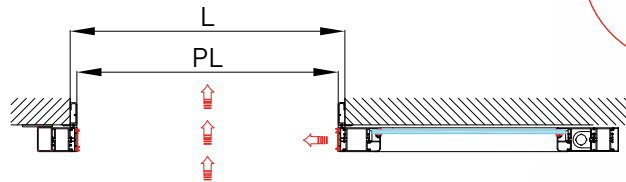
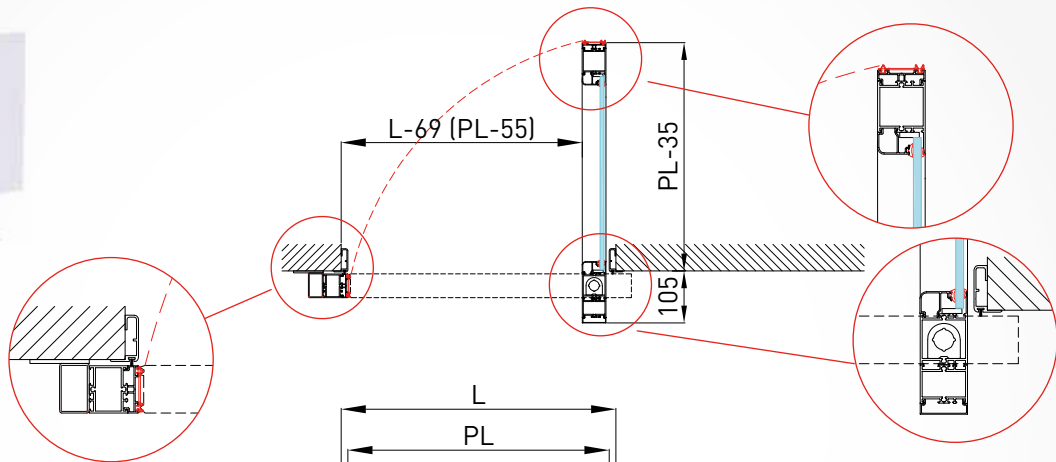
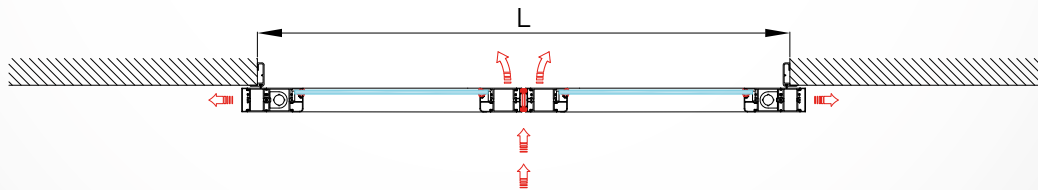
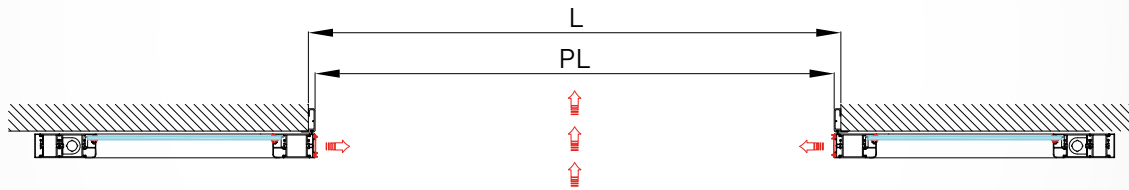
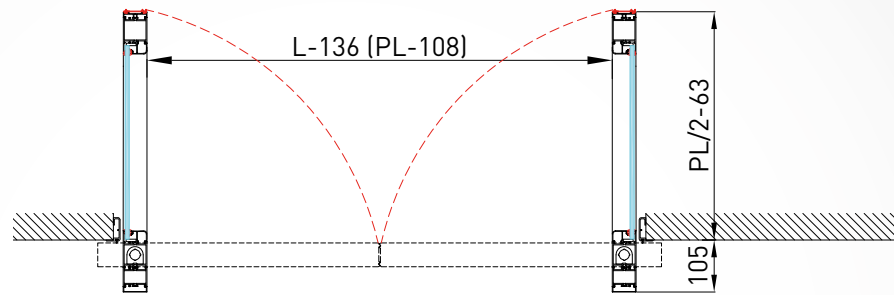
Anti-panic breakout systems RBO

ALU48 RBO outdoor moving door anti-panic breakout system



Anti-panic breakout systems SBO

ALU48 SBO interior moving door anti-panic breakout system





Ditec offers tailored solutions to meet any mandatory requirements of special sectors: from controlled atmosphere environments to operating rooms the pharmaceutical industry and analysis laboratories.



QUALITY AND PERFORMANCE

- Semi-hermetic closure (along the 2 vertical frames of the wing) and hermetic closure (along the 4 edges of the wing)
- Maximum silence thanks to anti-vibration tracks and gaskets
- Integrated sensors with rounded lines for maximum hygiene



POWERFUL

- Configuration for a maximum capacity of 500 kg.
- High resistance reinforced nylon wheels



CERTIFIED

- Hermetic closure seal certified according to UNI EN 12207
- Sound reduction certified to UNI EN ISO 10140-2 standard

Technical specifications of available models

| | VALOR HS | VALOR HH |
|--|--|--|
| Description | automation for heavy sliding doors | automation for airtight sliding doors |
| Special uses | airtight wings for hospitals and clean rooms | hermetic airtight wings for hospitals and clean rooms |
| Stroke control | encoder | encoder |
| Capacity | class 4: 200 kg (1 wing) / 340 kg (2 wings) | class 4: 200 kg (1 wing) / 200 kg (2 wings) |
| Capacity with 2 wheels per runner | class 5: 170 kg (1 wing) / 300 kg (2 wings) | class 5: 160 kg (1 wing) / 160 kg (2 wings) |
| Capacity with 2 wheels per runner and 3rd runner | class 5: 300 kg (1 wing) / 360 kg (2 wings) | |
| Capacity with 2 wheels per runner and 3rd runner | class 6: 220 kg (1 wing) / 300 kg (2 wings) | |
| Intermittent operation | class 4: S2 = 20 min / S3 = 30% class 5: S2 = 60 min / S3 = 60% class 6: S3 = 100% | class 4: S2 = 20 min / S3 = 30% class 5: S2 = 60 min / S3 = 60% |
| Power supply | 230 Vac / 50-60 Hz | 230 Vac / 50-60 Hz |
| Power input | 1 A | 1 A |
| Maximum opening and closing speed | 0.5 m/s (1 wing) 1.0 m/s (2 wings) | 0.5 m/s (1 wing) 1.0 m/s (2 wings) |
| Release system for manual opening | handle type | |
| Operating temperature | -20°C / +55°C (-10°C / +50°C batteries) | +2°C / +55°C (+2°C / +50°C batteries) |
| Protection rating | IP20 | IP20 |
| Product dimensions mm (HxWxL) | 300 x 150 x L | 300 x 150 x L |
| Control panel | EL32 (built in) | EL32 (built in) |

Ditec VALOR HS

Automation for heavy sliding doors
and semi-hermetic doors



Ditec VALOR HS is the sliding door actuator that guarantees semi-hermetic closure, minimum noise level and hygiene in any hospital environment. Moreover, VALOR HS can handle a maximum capacity of 500 kg on two wings or 450 kg on each single wing (ideal for the radiology sector where lead screening of wings is required).



POWERFUL

- Configuration for a maximum capacity of 500 kg
- High resistance reinforced nylon wheels



QUALITY AND PERFORMANCE

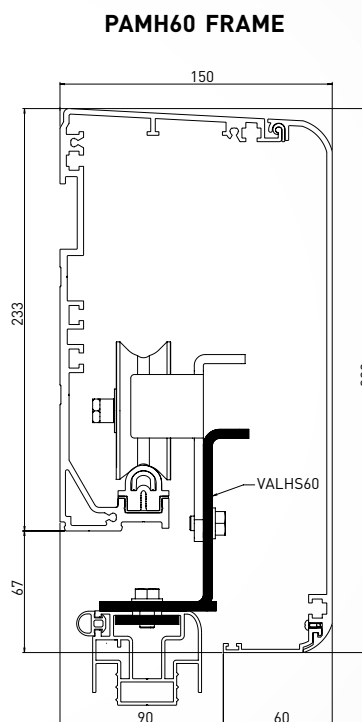
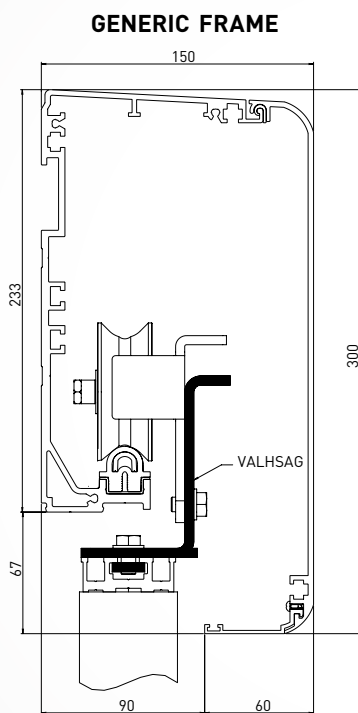
- Semi-hermetic closure (along the 2 vertical frames of the wing)
- Maximum silence thanks to anti-vibration tracks and gaskets
- Integrated sensors with rounded lines for maximum hygiene



INTELLIGENT

- Innovative electronic panel (EL32) with self-adjustment of automatic opening times and passageway
- MD1 display for monitoring and controlling regulation functions

SECTIONS



KIT

Basic automation

| Article Code | Description of article |
|--------------|---|
| PMKVAL1HS | Fixed components kit for 1 VALOR HS automatic wing (gear motor Z32C) The kits contain, in one box, the components, bolts and screws required for creating an automation system, including: <ul style="list-style-type: none"> - Gear motor - Feeder unit - Electronic panel - Transmission unit - Trolleys - Die-casting aluminium right/left head |
| PMKVALM1HS | Fixed components kit for 1 manual VALOR HS wing - prepared for motorisation The kits contain, in one box, the components, bolts and screws required for creating an automation system, including: <ul style="list-style-type: none"> - Transmission unit - Trolleys |
| PMKVALHSGC | VALOR HS 2nd wing trolleys |
| PMKVALHS2RC | VALOR HS 1 wing 2nd wheel kit |
| PMKVALHSCLS | VALOR HS 1 wing 3rd trolleys |
| PMRGR427680 | Guide vibration proof gasket 80 m |
| PMOKP851B | Cover-casing gasket 200 m |
| PMRCG8M1050 | Transmission belt 8M10, 50 m roll |
| PMV4218N66 | Sliding guide L = 6650 EURAS C0 |
| PMV4229G66 | Casing L = 6650 mill finish |
| PMV4229N66 | Casing L = 6650 EURAS C0 |

Front cover

| Article Code | Description of article |
|--------------|--|
| PMVALHHSI | Cover intermediate support, for LT ≥ 3200 mm |
| PMVALHSTF | Pair of heads in RAL 9006 painted steel |
| PMV4274G66 | Vertical cover L = 6650 mill finish |
| PMV4274N66 | Vertical cover L = 6650 EURAS C0 |
| PMV4352G66 | Horizontal cover L = 6650 mill finish |
| PMV4352N66 | Horizontal cover L = 6650 EURAS C0 |

Specific accessories

| Article Code | Description of article |
|--------------|--|
| PMVALHSLOK | Wing stop device complete with brackets, without release handle |
| PMLOKSBM | Manual release handle, wall mounted |
| PMVALHHABC | Anti-panic system with back-up battery |
| PMVALHHABE | Emergency battery anti-panic device |
| PMVALHHFM | Magnetic limit switch indicator micro kit |
| PMKVALHHT2 | VALOR HS earth kit for 1 or 2 wings (1 wing PL max 2400 mm, 2 wings PL max 2300 mm) |
| PMMP1 | Plus Module PCB |
| PMPAS005APIH | Detection safety sensor built in the cover |

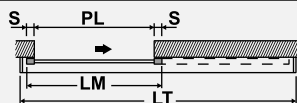
Ditec VALOR HS

Automation for heavy sliding doors and semi-hermetic doors

ASSEMBLED

| Maximum capacities | 1 wing | 2 wings |
|--|--------|---------|
| Maximum very heavy duty | 170 Kg | 300 Kg |
| Maximum very heavy duty [2nd additional wheel] | 300 Kg | 360 Kg |
| Maximum heavy duty [2nd additional wheel + 3rd runner] | 450 Kg | 500 Kg |

1 Wing - with lead-free wing and wing containing lead



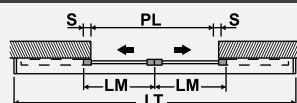
| Code Up to | Dimension - mm | | | | LT= Automation length | Basic automation With Mill finish aluminium casing |
|---------------|-------------------------------|--|-------------------------------|--|-----------------------------|---|
| | lead-free wing | | wing containing lead | | | |
| | PL= nominal access opening | LM=wing S=overlap with S=60+60 nominal | PL= nominal access opening | LM=wing S=overlap with S=120+120 nominal | | |
| PMVAL1HS23 | 1015 | 1135 | 925 | 1165 | 2300 | |
| PMVAL1HS29 | 1315 | 1435 | 1225 | 1465 | 2900 | |
| PMVAL1HS35 | 1615 | 1735 | 1525 | 1765 | 3500 | |
| PMVAL1HS41 | 1915 | 2035 | 1825 | 2065 | 4100 | |
| PMVAL1HS50 | 2365 | 2485 | 2275 | 2515 | 5000 | |
| PMVAL1HS66 | 3165 | 3285 | 3075 | 3315 | 6600 | |

MANUAL version - READY FOR AUTOMATION

1 Wing - with lead-free wing and wing containing lead

| | | | | | | |
|-------------|------|------|------|------|------|--|
| PMVALM1HS23 | 1015 | 1135 | 925 | 1165 | 2300 | |
| PMVALM1HS29 | 1315 | 1435 | 1225 | 1465 | 2900 | |
| PMVALM1HS35 | 1615 | 1735 | 1525 | 1765 | 3500 | |
| PMVALM1HS41 | 1915 | 2035 | 1825 | 2065 | 4100 | |

2 Wings - with lead-free wings



| Code Up to | Dimension - mm | | | LT= Automation length | Basic automation With Mill finish aluminium casing |
|---------------|----------------------------|-----------------------------------|--|-----------------------------|---|
| | PL= nominal access opening | LM=wing S=overlap with S=60+60 | | | |
| PMVAL2HS26 | 1198 | 656 | | 2600 | |
| PMVAL2HS32 | 1498 | 806 | | 3200 | |
| PMVAL2HS38 | 1798 | 956 | | 3800 | |
| PMVAL2HS46 | 2198 | 1156 | | 4600 | |
| PMVAL2HS50 | 2398 | 1256 | | 5000 | |
| PMVAL2HS66 | 3198 | 1656 | | 6600 | |

MANUAL version - READY FOR AUTOMATION

2 Wings - with lead-free wings

| | | | | | |
|-------------|------|------|--|------|--|
| PMVALM2HS26 | 1198 | 656 | | 2600 | |
| PMVALM2HS32 | 1498 | 806 | | 3200 | |
| PMVALM2HS38 | 1798 | 956 | | 3800 | |
| PMVALM2HS46 | 2198 | 1156 | | 4600 | |

Note: To check the position of the transformer, of the back-up battery and of the indoor sensor for intermediate sizes, or when Ditec or generic frames are used with a different S overlap compared to the one shown, or with other additional specific accessories, please refer to the "Sliding Configurator" program (assembly check) or E-commerce Configurator

Note: Upon placing the order, always specify where the SPPAS005APIH sensor must be positioned, if in the centre, on the left or on the right of the opening

Note: When using the handles, the passing space available is reduced. Please refer to the "Sliding Configurator" program (assembly check) or E-commerce Configurator and to the PAMH60 frame price list to check the correct dimensions of the automation

Note: When ordering automations with wings fitted with lead shielding and standard wings, standard frames can be ordered with the same overlap in height as those with lead, in order to align the automation position in terms of height (see PAMH60 frames price list)

Note: Finally, the wing connection profiles and the door holders shall have to be added (please refer to the following page)

Ditec VALOR HS

Automation for heavy sliding doors and semi-hermetic doors

ASSEMBLED

| Maximum capacities | 1 wing | 2 wings |
|--|--------|---------|
| Maximum very heavy duty | 170 Kg | 300 Kg |
| Maximum very heavy duty (2nd additional wheel) | 300 Kg | 360 Kg |
| Maximum heavy duty (2nd additional wheel + 3rd runner) | 450 Kg | 500 Kg |

Front cover

| Standard casing length mm | MILL FINISH | | EURAS C0 | |
|------------------------------|----------------------|---|----------------------|--|
| | Code Up to | € | Code Up to | |
| 2300 | - | - | PM CRVALHHN23 | |
| 2600 | - | - | PM CRVALHHN26 | |
| 2700 | - | - | - | |
| 2900 | - | - | PM CRVALHHN29 | |
| 3200 | - | - | PM CRVALHHN32 | |
| 3300 | PM CRVALHHG33 | | - | |
| 3500 | - | | PM CRVALHHN35 | |
| 3800 | - | | PM CRVALHHN38 | |
| 4100 | - | | PM CRVALHHN41 | |
| 4600 | PM CRVALHHG46 | | PM CRVALHHN46 | |
| 5000 | - | | PM CRVALHHN50 | |
| 6600 | PM CRVALHHG66 | | PM CRVALHHN66 | |

PM**SPVALHSTF (optional)** Pair of heads in RAL 9006 painted steel, assembled

Door holder selection table

| Article Code | Description of article |
|----------------------|---|
| PM VALHS60 | Pair of door holders for PAMH60 frames |
| PM VALHSAG | Pair of door holders if combined with generic frame requires the wing connection specified below |
| PM 20AIV2995 | Framed wing connection 2000 mm - Mill finish |
| PM 20AIV2995N | Framed wing connection 2000 mm - EURAS C0 |

Extra charges

| Article Code | Description of article |
|-----------------------|--|
| PM SPVALHHCN33 | Surcharge for anodised casing for automation length up to LT ≤ 3300 mm |
| PM SPVALHHCN66 | Surcharge for anodised casing of automation length LT > 3300 mm |

Note: Upon ordering 1 wing automations, always indicate the opening direction as viewed from the front cover

Ditec VALOR HS

Automation for heavy sliding doors
and semi-hermetic doors

| Maximum capacities | 1 wing | 2 wings |
|---|--------|---------|
| Maximum very heavy duty | 170 Kg | 300 Kg |
| Maximum very heavy duty (2nd additional wheel) | 300 Kg | 360 Kg |
| Maximum heavy duty (2nd additional wheel + 3rd runner) | 450 Kg | 500 Kg |

Programming accessories

| Article Code | Description of article |
|--------------|---|
| PMMD1 | Recessed display module to be combined with MDA |
| PMMDA | Wall bracket for MD1 display module |

Accessories

| Article Code | Description of article |
|----------------|---|
| PMSPKVALHS2RC | Surcharge for 2nd additional wheel kit, assembled to increase weight up to 300 kg for single wing or 360 kg for double wing |
| PMSPKVALHSCLS | Surcharge for 3rd runner kit, assembled to increase weight up to 450 for single wing or 500 kg for double wing |
| PMSPVALHSLOK | Wing stop device complete with brackets, without release handle, assembled |
| PMLOKSBM | Manual release handle, wall mounted |
| PMSPVALHHFM | Magnetic mechanical stop for indicator and/or interlock, assembled |
| PMSPKVALHHT2 | Earth kit for 1 or 2 wings, assembled |
| PMSPVALHHABC | Anti-panic system with back-up battery, assembled |
| PMSPVALHHABE | Anti-panic system with emergency battery, assembled |
| PMSPPAS005APIH | Detection safety sensor built in the cover, assembled |
| PMSPMP1 | Plus Module Board mounted on automation |

Photocells - Area sensors - Push-buttons - Function-selectors - Regulators see Accessories section

Ditec VALOR HH

Automation for hermetic sliding doors



Ditec VALOR HH represents excellence in the field of automation systems for controlled atmosphere environments. Certified hermetic closure and a specific design for a low noise level and for hygiene makes VALOR HH the ideal automation system for a hospital environment.



QUALITY AND PERFORMANCE

- Hermetic closure on 4 sides guaranteed by specific non-toxic silicone seals (no EPDM rubber)
- Positioning device for lowering the wing, and for moving it sideways by 10 mm for optimizing pressure on the seal
- Maximum silence thanks to anti-vibration tracks and gaskets



MAXIMUM HYGIENE

- Rounded design to avoid dust deposits
- Integrated safety sensors in the automation system

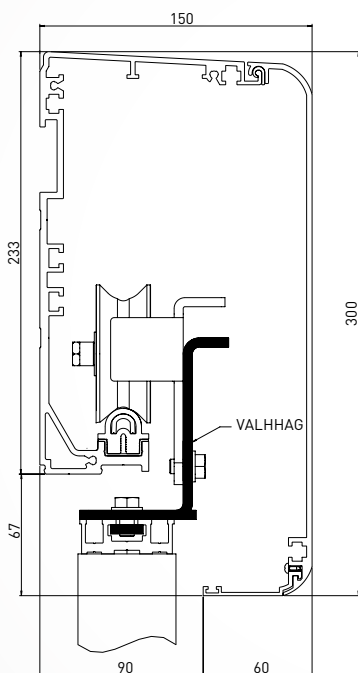


CERTIFIED

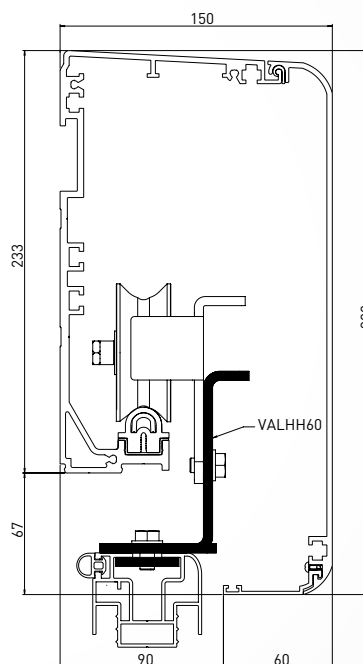
- Hermetic closure seal certified according to UNI EN 12207
- Sound reduction certified according to UNI EN ISO 10140-2 standard

SECTIONS

GENERIC FRAME



PAMH60 FRAME



KIT

Basic automation

| Article Code | Description of article |
|--------------|---|
| PMKVAL1HH | Fixed components kit for 1 VALOR HH automatic wing (gear motor Z32C) The kits contain, in one box, the components, bolts and screws required for creating an automation system, including: <ul style="list-style-type: none"> - Gear motor - Feeder unit - Electronic panel - Transmission unit - Trolleys - Die-casting aluminium right/left head |
| PMKVALM1HH | Fixed components kit for 1 manual VALOR HH wing - prepared for motorisation The kits contain, in one box, the components, bolts and screws required for creating an automation system, including: <ul style="list-style-type: none"> - Transmission unit - Trolleys |
| PMKVALHHGC | VALOR HH 2nd wing trolleys |
| PMRGR427680 | Guide vibration proof gasket 80 m |
| PMOKP851B | Cover-casing gasket 200 m |
| PMRCG8M1050 | Transmission belt 8M10, 50 m roll |
| PMV4218N66 | Sliding guide L = 6650 EURAS C0 |
| PMV4229G66 | Casing L = 6650 mill finish |
| PMV4229N66 | Casing L = 6650 EURAS C0 |

Front cover

| Article Code | Description of article |
|--------------|--|
| PMVALHHSI | Cover intermediate support, for LT ≥ 3200 mm |
| PMVALHSTF | Pair of heads in RAL 9006 painted steel |
| PMV4274G66 | Vertical cover L = 6650 mill finish |
| PMV4274N66 | Vertical cover L = 6650 EURAS C0 |
| PMV4352G66 | Horizontal cover L = 6650 mill finish |
| PMV4352N66 | Horizontal cover L = 6650 EURAS C0 |

Specific accessories

| Article Code | Description of article |
|--------------|--|
| PMVALHHABC | Anti-panic system with back-up battery |
| PMVALHHABE | Emergency battery anti-panic device |
| PMVALHHFM | Magnetic limit switch indicator micro kit |
| PMKVALHHT2 | VALOR HH earth kit for 1 or 2 wings (1 wing PL max 2400 mm, 2 wings PL max 2300 mm) |
| PMMP1 | Plus Module PCB |
| PMPAS005APIH | Detection safety sensor built in the cover |

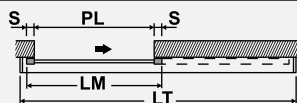
Ditec VALOR HH

Automation for hermetic sliding doors

| | | |
|-------------------------|--------|---------|
| Maximum capacities | 1 wing | 2 wings |
| Maximum very heavy duty | 200 Kg | 200 Kg |

ASSEMBLED

1 Wing - with lead-free wing and wing containing lead



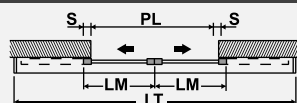
| Code Up to | Dimension - mm | | | | | LT= Automation length | Basic automation With Mill finish aluminium casing |
|---------------|-------------------------------|--|-------------------------------|--|------|-----------------------------|---|
| | lead-free wing | | wing containing lead | | | | |
| | PL= nominal access opening | LM=wing S=overlap with S=60+60 nominal | PL= nominal access opening | LM=wing S=overlap with S=120+120 nominal | | | |
| PMVAL1HH25 | 1027 | 1147 | 937 | 1177 | 2500 | | |
| PMVAL1HH31 | 1327 | 1447 | 1237 | 1477 | 3100 | | |
| PMVAL1HH37 | 1627 | 1747 | 1537 | 1777 | 3700 | | |
| PMVAL1HH43 | 1927 | 2047 | 1837 | 2077 | 4300 | | |

MANUAL version - READY FOR AUTOMATION

1 Wing - with lead-free wing and wing containing lead

| | | | | | | |
|------------|------|------|------|------|------|--|
| PMVAL1HH25 | 1027 | 1147 | 937 | 1177 | 2500 | |
| PMVAL1HH31 | 1327 | 1447 | 1237 | 1477 | 3100 | |
| PMVAL1HH37 | 1627 | 1747 | 1537 | 1777 | 3700 | |
| PMVAL1HH43 | 1927 | 2047 | 1837 | 2077 | 4300 | |

2 Wings - with lead-free wings



| Code Up to | Dimension - mm | | | LT= Automation length | Basic automation With Mill finish aluminium casing |
|---------------|-------------------------------|--|--|-----------------------------|---|
| | PL= nominal access opening | LM=wing S=overlap with S=60+60 nominal | | | |
| PMVAL2HH30 | 1243 | 679 | | 3000 | |
| PMVAL2HH36 | 1543 | 829 | | 3600 | |
| PMVAL2HH42 | 1843 | 979 | | 4200 | |
| PMVAL2HH50 | 2243 | 1179 | | 5000 | |

Note: To check the position of the transformer, of the back-up battery and of the indoor sensor for intermediate sizes, or when Ditec or generic frames are used with a different S overlap compared to the one shown, or with other additional specific accessories, please refer to the "Sliding Configurator" program (assembly check) or E-commerce Configurator

Note: Upon placing the order, always specify where the SPPAS005APIH sensor must be positioned, if in the centre, on the left or on the right of the opening

Note: When using the handles, the passing space available is reduced. Please refer to the "Sliding Configurator" program (assembly check) or E-commerce Configurator and to the PAMH60 frame price list to check the correct dimensions of the automation

Note: When ordering automations with wings fitted with lead shielding and standard wings, standard frames can be ordered with the same overlap in height as those with lead, in order to align the automation position in terms of height (see PAMH60 frames price list)

Note: Finally, the wing connection profiles and the door holders shall have to be added (please refer to the following page)

CERTIFIED FEATURES

SOUND REDUCTION according to the UNI EN ISO 10140-2:2010 and UNI EN ISO 717-1:2013 standards:

VALOR HH with panelled wings in
Stainless Steel with 3 mm lead shielding: **34 dB**

VALOR HH with panelled wings in HPL Laminate: **27 dB**



Ditec VALOR HH

Automation for hermetic sliding doors

| Maximum capacities | 1 wing | 2 wings |
|-------------------------|--------|---------|
| Maximum very heavy duty | 200 Kg | 200 Kg |

ASSEMBLED

Front cover

| Standard casing length mm | MILL FINISH | | EURAS C0 | |
|------------------------------|----------------------|--|----------------------|--|
| | Code Up to | | Code Up to | |
| 2300 | - | | PM CRVALHHN23 | |
| 2500 | - | | PM CRVALHHN25 | |
| 2900 | - | | PM CRVALHHN29 | |
| 3000 | - | | PM CRVALHHN30 | |
| 3100 | - | | PM CRVALHHN31 | |
| 3500 | - | | PM CRVALHHN35 | |
| 3600 | PM CRVALHHG36 | | PM CRVALHHN36 | |
| 3700 | - | | PM CRVALHHN37 | |
| 4100 | - | | PM CRVALHHN41 | |
| 4200 | - | | PM CRVALHHN42 | |
| 4300 | - | | PM CRVALHHN43 | |
| 5000 | PM CRVALHHG50 | | PM CRVALHHN50 | |

PM**SPVALHSTF (optional)** Pair of heads in RAL 9006 painted steel, assembled

Door holder selection table

| Article Code | Description of article |
|----------------------|---|
| PM VALHH60 | Pair of door holders for PAMH60 frames |
| PM VALHHAG | Pair of door holders if combined with generic frame requires the wing connection specified below |
| PM 20AIV2995 | Framed wing connection 2000 mm - Mill finish |
| PM 20AIV2995N | Framed wing connection 2000 mm - EURAS C0 |

Extra charges

| Article Code | Description of article |
|-----------------------|--|
| PM SPVALHHCN33 | Surcharge for anodised casing for automation length up to LT ≤ 3300 mm |
| PM SPVALHHCN66 | Surcharge for anodised casing of automation length LT > 3300 mm |

Note: Upon ordering 1 wing automations, always indicate the opening direction as viewed from the front cover

Ditec VALOR HH

Automation for hermetic sliding doors

| | | |
|-------------------------|--------|---------|
| Maximum capacities | 1 wing | 2 wings |
| Maximum very heavy duty | 200 Kg | 200 Kg |

Programming accessories

| Article Code | Description of article |
|--------------|---|
| PMMD1 | Recessed display module to be combined with MDA |
| PMMDA | Wall bracket for MD1 display module |

Accessories

| Article Code | Description of article |
|----------------|--|
| PMSPVALHHFM | Magnetic mechanical stop for indicator and/or interlock, assembled |
| PMSPKVALHHT2 | Earth kit for 1 or 2 wings, assembled |
| PMSPVALHHABC | Anti-panic system with back-up battery, assembled |
| PMSPVALHHABE | Anti-panic system with emergency battery, assembled |
| PMSPPAS005APIH | Detection safety sensor built in the cover, assembled |
| PMSPMP1 | Plus Module Board mounted on automation |

Photocells - Area sensors - Push-buttons - Function-selectors - Regulators

see Accessories section





AUTOMATION FOR SWING DOORS

Ditec SPRINT

Ditec DAB105

Ditec DAB205

Ditec DAB305

Ditec SPRINT

Ditec DAB105 - DAB205 - DAB305



Automation systems for one- or two-wing swing doors, with motorised opening and closure via motor+spring or motor only, easy to install on new or existing doors.

24 Vdc gear motor with encoder for precise management of the door movement and speed and a high-performance electric panel.

Can be configured with push doors, pull doors, break-out doors and fire doors, based on the type of arm and automation system selected.

Wide range of operating modes, such as LOW ENERGY (reduced impact force) as well as impact avoidance using sensors and selectors switches. Can also be controlled using push-button and access-control systems.

Technical specifications of available models and main functions of the system

| | SPRINT | DAB105 | DAB205 | DAB305 |
|---|--------------------------------------|--|---|---|
| Automation for swing doors | motor opening and closing | motor opening spring and motor closing | motor opening spring and motor closing | motor opening spring and motor closing |
| Product dimensions mm (H x W x L) | 79x93x450 | 111x131x720 | 111x131x720 | 70x175x840 |
| Automation weight (only operator) | 3,5 kg | 13,9 kg | 16 kg | 8 kg |
| Maximum capacity (see operation diagram) | 110 kg | 200 kg | 400 kg | 450 kg PUSH arm 370 kg PULL arm |
| Endurance test | 1 M cycles | 1 M cycles | 1 M cycles | 1 M cycles |
| Stroke control | encoder | encoder | encoder | encoder |
| Power supply | 24 Vdc SPRINTL 230 Vac / 50-60 Hz | 100 ÷ 240 Vac, -15%/+10%; 50/60 Hz * | 100 ÷ 240 Vac, -15%/+10%; 50/60 Hz* | 100 ÷ 240 Vac, -15%/+10%; 50/60 Hz * |
| Power consumption (max.) | 120 W | 75 W | 300 W | 300 W |
| Auxiliary power | 300 mA - 24 Vdc | 400 mA - 24 Vdc | 700 mA - 24 Vdc | 700 mA - 24 Vdc |
| Electro-mechanical locking device | 12 Vdc max 1.2 A | 24 Vdc max 250 mA 12 Vdc max 500 mA | 24 Vdc max 600 mA 12 Vdc max 1.2 A | 24 Vdc max 600 mA 12 Vdc max 1200 mA |
| Door wing width mm PUSH arm | 550 - 1200 | 550 - 1200 (1200 for fire doors with DAB805PSAF) | 550 - 1600 (same width for fire doors) | 500 - 1600 (1400 for fire doors) |
| Door wing width mm PULL arm | 650 - 1200 | 700 - 1200 | 700 - 1600 (1250 for fire doors) | 750 - 1400 (same width for fire doors) |
| Door wing opening angle | PUSH arm: 100° PULL arm: 110° | PUSH arm: 110° PULL arm: 110° | PUSH arm: 110° PULL arm: 110° | PUSH arm: 110° PULL arm: 110° |
| Opening time | min 3 s. 0-90° max 6 s. 0-90° | min 3 s. 0-80° max 6 s. 0-80° | min 2.5 s. 0-80° max 12 s. 0-80° | min 2.5 s. 0-80° max 12 s. 0-80° |
| Closing time | min 4 s. 90°-0° max 7 s. 90°-0° | min 3 s. 90°-10° max 6 s. 90°-10° | min 4 s. 90°-10° max 12 s. 90°-10° | min 4 s. 90°-10° max 12 s. 90°-10° |
| Hold open time | 0÷30 s | 1,5÷30 s | 1,5÷30 s | 0 ÷ 30 s |
| Operating temperature | -20°C / +55°C | -20°C / +45°C | -20°C / +45°C | -20°C / +45°C |
| Protection rating | IP 30 | IP20 | IP20 | IP20 |

* Same product for 230 Vac and 120 Vac power supply

Relevant Directives and Standards

- MD Machine Directive
- EMCD Compatibility Directive Electromagnetic
- EN 16005 User Safety Standard
- LVD Low Voltage Directive
- FIRED TESTED (DAB105, DAB205, DAB305)



Automation system for single-wing swing doors, ideal for internal environments, great looking and non-intrusive thanks to the reduced dimensions and possibility to choose the cover type: light grey or black polymer or EURAS C0 aluminium.



ELEGANT

- Neutral and refined design
- Available in light grey, black and EURAS C0 satin-finished aluminium



EASY TO ASSEMBLE

- Pre-drilled mounting plate
- Simplified and easily accessible internal layout
- Setting adjustments on the electronic card



VERSATILE

- PUSH&GO and LOW ENERGY features
- Anti-panic or continuous mode through battery kit
- SPRINTSET card for specific functions such as electro-mechanical lock and management of alarm signals

Basic automation, opening and closing by motor, without movement arms

| Article Code | Description of article |
|--|-------------------------------------|
| 230 Vac power supply and transformer | |
| PMSPRINTV | Cover in brushed aluminium EURAS C0 |
| PMSPRINTP | Cover in light grey polymer |
| PMSPRINTPN | Cover in black polymer |
| 24 Vdc power supply without transformer | |
| PMSPRINTL | Cover in light grey polymer |

Movement arms

| Article Code | Description of article |
|--------------|--|
| PMSBA | Articulated movement arm - black painted steel |
| PMSPRINTBRAS | 3-lever articulated arm - black painted steel |
| PMSBS | Arm with sliding motion - EURAS C0 |

Note:

The articulated arms (SBA) are to be used with doors that open towards the outside seen from automation front-cover side
The sliding arms (SBS) are to be used with doors that open inwards seen from the automation front cover side

Accessories

| Article Code | Description of article |
|--------------|--|
| PMSPRINTBAT | Battery kit |
| PMSPRINTSET | Configuration card to activate special functions |

Specific accessories

| | |
|--------------|--|
| PMDAB805FPI | Finger protection, for indoor use, H = 1980 mm |
| PMDAB805FP20 | Finger protection, for outdoor use, H = 2015 mm (EN 16005) |
| PMDAB805FP19 | Finger protection, for outdoor use, H = 1925 mm |

Common accessories (within limits of use)

| Description of article | |
|---|-------------------------|
| Photocells - Volumetric sensors - Buttons - Function-selectors - Regulators | see Accessories section |



SPRINTV + SBS



SBA

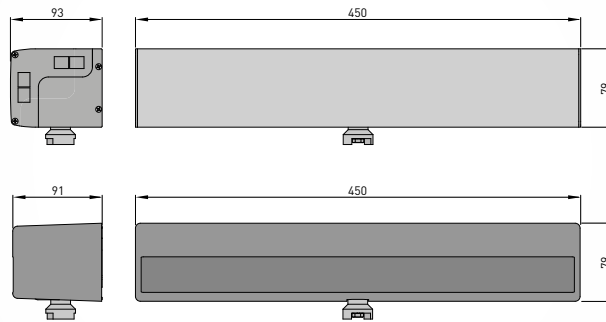


SPRINTBRAS

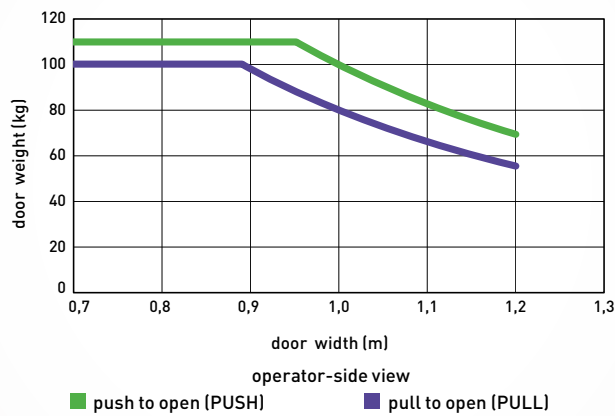


SBS

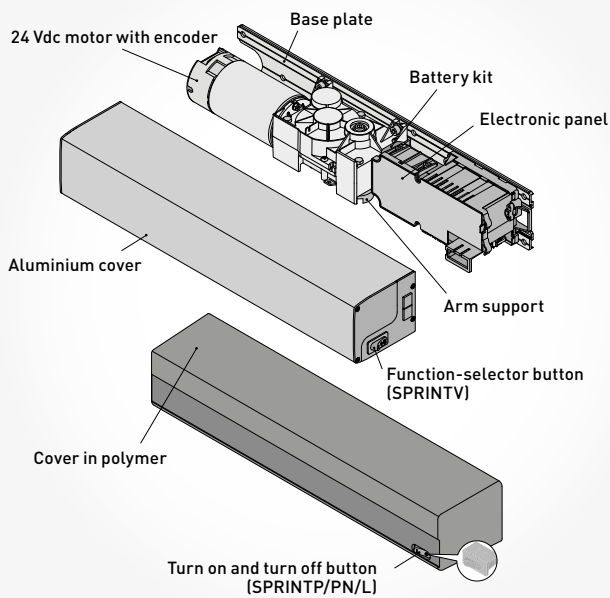
Dimension



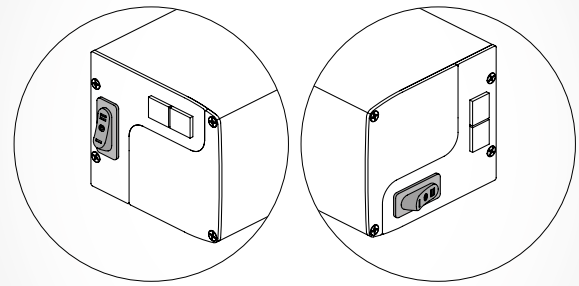
Operation diagram



Main components



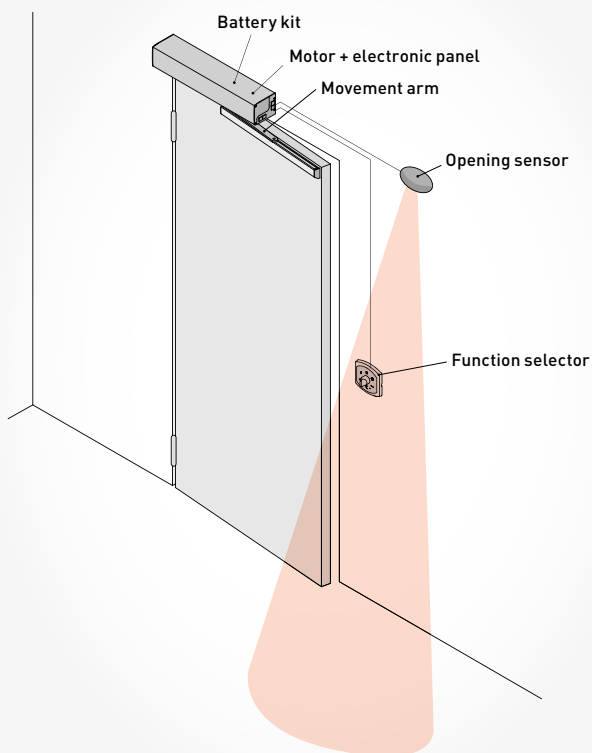
Function-selector button (only SPRINTV)



LEFT SIDE

RIGHT SIDE

Installation type



Operational functions

| | |
|--|--|
| Automatic mode | ■ |
| LOW ENERGY mode | ■ |
| PUSH&GO opening | ■ |
| Energy-Saving mode | ■ |
| Integrated basic selector | ■ (SPRINTV version) |
| Key selector | ■ optional (art. COMK*) |
| Knob selector | ■ optional (art. COMH*) |
| Monitored presence sensor control (EN 16005 compliant) | ■ in closing ■ optional in openings |
| Battery operation | ■ optional (SPRINTBAT) |
| Operator error/alarm signal | ■ optional (SPRINTSET) |

* the "partial opening" and "night-time stop" features are not available



Electromechanical servo-assisted automation system for swing doors with spring, with 24 Vdc gear motor and encoder-managed kinematics, for safe and reliable management of door movement in every situation.



QUALITY AND PERFORMANCE

- Maximum capacity of 200 kg, to cover all requirements in a commercial environment
- 24 Vdc gear motor, kinematic management via encoder, spring and motorized closure
- Adjustable closing force and delayed opening



UNIVERSAL

- Single actuator for PULL&PUSH functions
- PUSH&GO, Servo-assisted, LOW ENERGY
- ESE and ESA cards for managing specific additional functions
- Switching power supply allows DAB105 to be used with 230 Vac and 120 Vac power supply



EASY TO ASSEMBLE

- Easy and accurate settings with potentiometers and dip-switches
- Automatic self-learning process
- 10 groups of pre-set parameters

Basic automation, without movement arms

| Article Code | Description of article |
|--------------|------------------------|
| PMDAB105 | Basic operator |

Movement arms

| Article Code | Description of article |
|--------------|--------------------------------------|
| PMDAB805PSA | Articulated movement arm |
| PMDAB805PLA | Sliding movement arm |
| PMDAB805PLAT | 3-lever articulated arm |
| PMDAB805PLAB | Sliding break-out arm |
| PMDAB805PSAF | Articulated movement arm fire rated* |
| PMKPAB | Kit for cable passage |

Accessories

| Article Code | Description of article |
|--------------|------------------------|
|--------------|------------------------|

Additional setting cards

| | |
|-------------|--|
| PMDAB905ESE | Extension unit for management of: electro-mechanical lock, function-selector, batteries, fire mode |
| PMDAB905ESA | Extension unit for management of: detection sensors, alarm signal and doors monitoring status |

Battery kit

| | |
|-------------|-------------|
| PMDAB905BAT | Battery kit |
|-------------|-------------|

To use DAB105 on double wing doors

| | |
|-------------|--|
| PMDAB905SYN | Synchronism cable |
| PMDAB805CMP | Cover middle piece, L = 950 mm, may be reduced to size |

Telescopic kit for articulated movement arm fire rated*

| | |
|-------------|--|
| PMDAB805TFL | Telescopic kit long |
| PMDAB805TFS | Telescopic kit short |
| PMDAB805TKJ | Telescopic joint to be combined with DAB805TFS |

Note: * Ditec DAB105 has obtained certification SP SITAC and the Test Report from the Exova Warrington for use on fire-doors
For more details, contact our Technical Sales Office

Accessories

| Article Code | Description of article |
|--------------|------------------------|
|--------------|------------------------|

Shaft extension kit

| | |
|--------------|--|
| PMDAB805SE2 | Shaft extension 20 mm |
| PMDAB805SE5 | Shaft extension 50 mm |
| PMDAB805SE7 | Shaft extension 70 mm |
| PMDAB805SE5F | Shaft extension 50 mm fire version (see note on the previous page) |

Function-selectors

| | |
|-------------|-------------------------------------|
| PMCOM400MHB | Mechanical switch function-selector |
| PMCOM400MKB | Mechanical key function-selector |

Specific accessories

| | |
|--------------|--|
| PMDAB805FPI | Finger protection, for indoor use, H = 1980 mm |
| PMDAB805FP20 | Finger protection, for outdoor use, H = 2015 mm (EN 16005) |
| PMDAB805FP19 | Finger protection, for outdoor use, H = 1925 mm |



DAB105



DAB805PSA



DAB805PLA



DAB805PLAT



DAB805PLAB



DAB805PSAF



DAB905ESE



DAB905ESA



DAB905SYN



DAB805CMP



DAB805SE2 - DAB805SE5 - DAB805SE7



COM400MHB

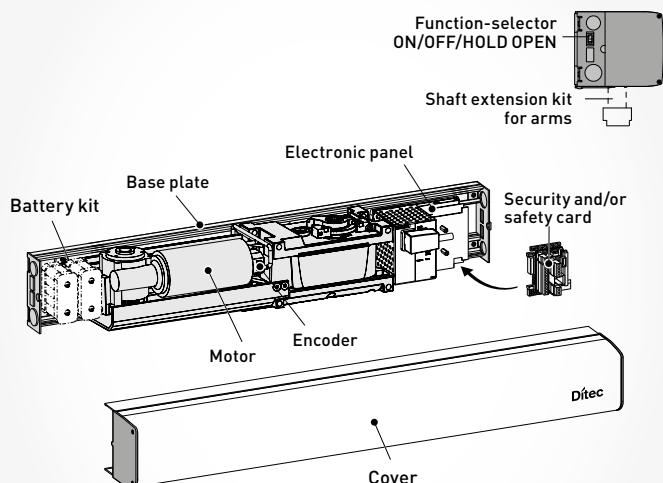


COM400MKB

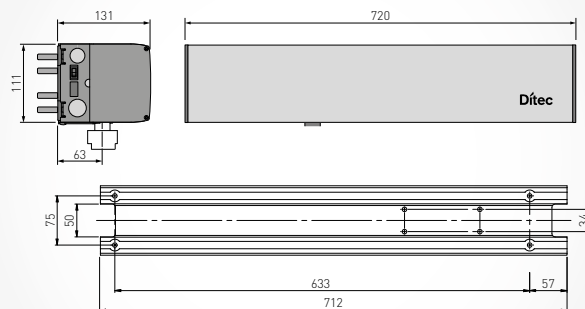


DAB905BAT

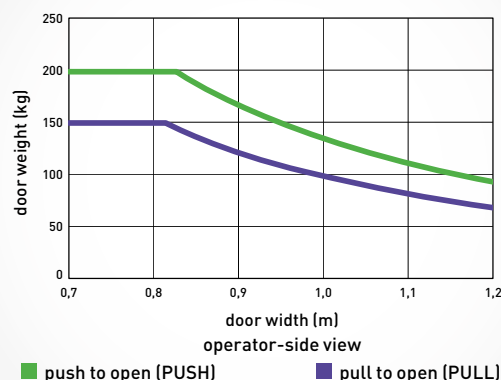
Main components



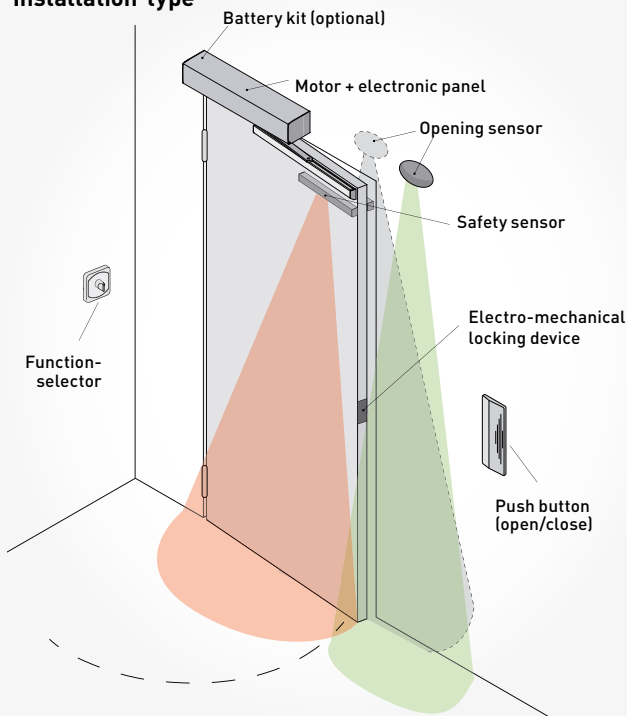
Dimension



Operation diagram



Installation type



Operational functions

| | |
|--|------------|
| Automatic mode | ■ |
| Door-closer mode | ■ |
| LOW ENERGY mode | ■ |
| Power-Assist mode | ■ |
| PUSH&GO opening | ■ |
| Integrated basic selector | ■ |
| Key selector | ■ optional |
| Knob selector | ■ optional |
| Synchronised double wing management | ■ optional |
| Monitored presence sensor control (EN 16005 compliant) | ■ |
| Battery operation | ■ optional |
| Priority opening control | ■ optional |
| Door-open status signal output | ■ optional |
| Operator error/alarm signal | ■ optional |
| Can be used with fire resistant doors | ■ |

Choice of configuration cards

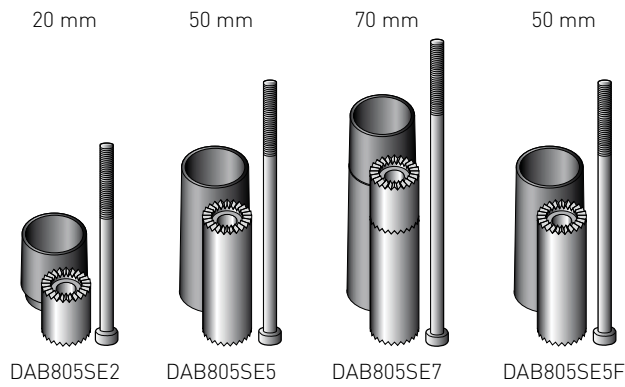
DAB905ESE CARD FUNCTIONS

- Use of the electro-mechanical lock
- Use of the COM400MHB and COM400MKB function-selectors
- Output connection for step-by-step operation
- Connection for installation of a second opening device (sensor or button)
- Priority-opening connection (to bypass night closure, for example)
- Battery use
- Use of the operating unit on fire doors

DAB905ESA CARD FUNCTIONS

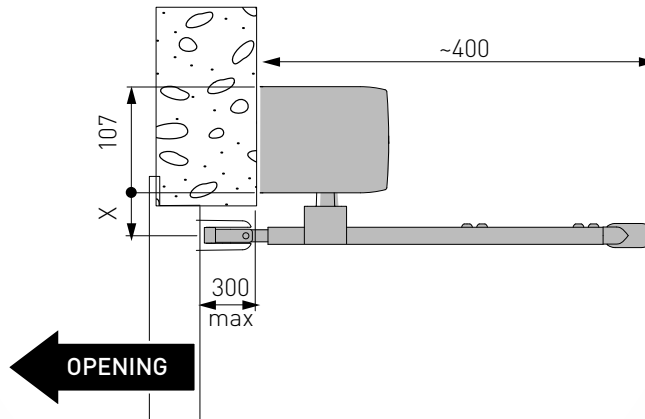
- Connection of two or more monitored REM safety sensors (in compliance with EN 16005)
- Disabling of the safety sensors in the 45-90° angle when opening (e.g. presence of a side wall)
- Output contact for managing door state (open/closed) indicator device
- Operator error/alarm signal

Shaft extension kit



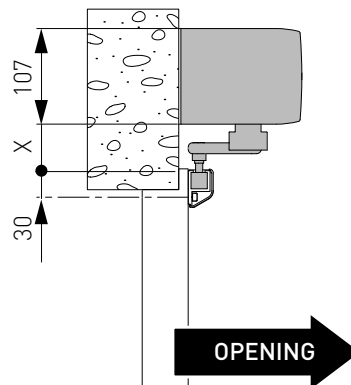
Automation with articulated movement arm DAB805PSA

| | |
|------------------------|-----|
| | X |
| DAB805PSA | 30 |
| DAB805PSA DAB805SE2 | 50 |
| DAB805PSA DAB805SE5 | 80 |
| DAB805PSA DAB805SE7 | 100 |



Automation with sliding movement arm DAB805PLA

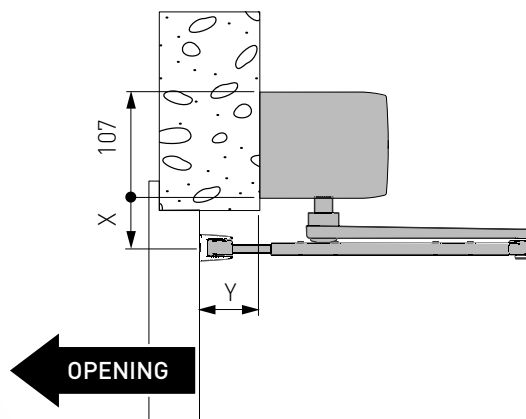
| | |
|------------------------|-----|
| | X |
| DAB805PLA | 50 |
| DAB805PLA DAB805SE2 | 70 |
| DAB805PLA DAB805SE5 | 100 |
| DAB805PLA DAB805SE7 | 120 |



Automation with articulated movement arm DAB805PSAF

| | |
|--------------------------|----|
| | X |
| DAB805PSAF | 48 |
| DAB805PSAF DAB805SE5F | 98 |

| Y | Extension |
|---------|------------------------|
| 0-100 | / |
| 100-215 | DAB805TFL |
| 215-305 | DAB805TFS DAB805TKJ |





It features an extremely powerful gear motor that opens the door and assists in closing, supported by a spring, which allows it to automate even swing doors that weigh up to 400 kg. The complete electronic panel means the parameters can easily be managed.



QUALITY AND PERFORMANCE

- Maximum capacity of 400 kg, to cover all requirements in all environments
- Suitable for heavy duty applications and intensive use, tested for 1.000.000 cycles
- Spring + motor solution to ensure perfect closing



SAFE AND RELIABLE

- External LED for monitoring status
- Battery kit for use during power cuts
- ESE and ESA cards for the electro-mechanical lock, motion detectors and alarms



VERSATILE

- Single actuator for both functions
- PUSH&GO, Servo-assisted, LOW ENERGY
- 16 groups of pre-set parameters
- PULL & PUSH bar also for fire doors
- Switching power supply allows DAB205 to be used with 230 Vac and 120 Vac power supply

Basic automation, without movement arms

| Article Code | Description of article |
|--------------|------------------------|
| PMDAB205 | Basic operator |

Movement arms

| Article Code | Description of article |
|--------------|---|
| PMDAB805PSA2 | Articulated movement arm (also for fire doors)* |
| PMDAB805PLA2 | Sliding movement arm (also for fire doors)* |
| PMKPAB | Kit for cable passage |

Accessories

| Article Code | Description of article |
|--------------|------------------------|
|--------------|------------------------|

Additional setting cards

| | |
|-------------|--|
| PMDAB905ESE | Extension unit for management of: electro-mechanical lock, function-selector, batteries, fire mode |
| PMDAB905ESA | Extension unit for management of: detection sensors, alarm signal and doors monitoring status |

Battery kit

| | |
|--------------|-------------|
| PMDAB905BAT2 | Battery kit |
|--------------|-------------|

To use DAB205 on double wing doors

| | |
|-------------|--|
| PMDAB905SYN | Synchronism cable, L = 3000 mm |
| PMDAB805CMP | Cover middle piece, L = 950 mm, may be reduced to size |

Telescopic kit for articulated movement arm fire rated

| | |
|-------------|--|
| PMDAB805TFL | Telescopic kit long |
| PMDAB805TFS | Telescopic kirt short |
| PMDAB805TKJ | Telescopic joint to be combined with DAB805TFS |

Note: * Ditec DAB205 has obtained certification SP SITAC for use on fire-doors
For more details, contact our Technical Sales Office

Accessories

| Article Code | Description of article |
|--------------|------------------------|
|--------------|------------------------|

Shaft extension kit

| | |
|--------------|-----------------------|
| PMDAB805SE22 | Shaft extension 20 mm |
| PMDAB805SE52 | Shaft extension 50 mm |
| PMDAB805SE72 | Shaft extension 70 mm |

Function-selectors

| | |
|-------------|-------------------------------------|
| PMCOM400MHB | Mechanical switch function-selector |
| PMCOM400MKB | Mechanical key function-selector |

Specific accessories

| | |
|--------------|--|
| PMDAB905MSW | Micro-switch kit to power electro-mechanical lock in case of mains outage (recommended for fire-door applications) |
| PMDAB905LED | LED alarm signal kit |
| PMDAB905RSD | RESET Kit and fire-alarm indication |
| PMDAB805FPI | Finger protection, for indoor use, H = 1980 mm |
| PMDAB805FP20 | Finger protection, for outdoor use, H = 2015 mm (EN 16005) |
| PMDAB805FP19 | Finger protection, for outdoor use, H = 1925 mm |



DAB905ESE



DAB905ESA



DAB805CMP



DAB905SYN

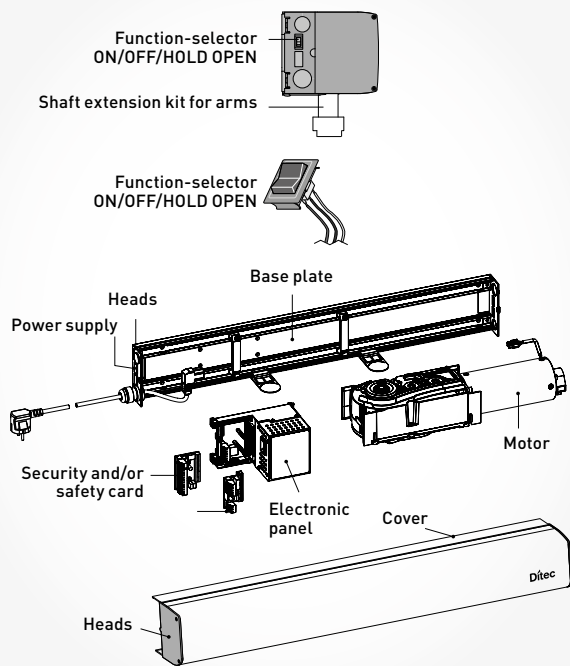


COM400MHB

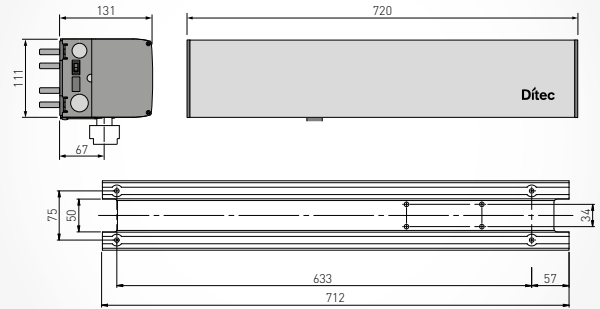


COM400MKB

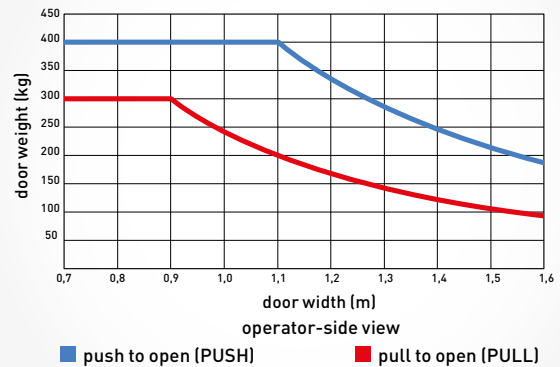
Main components



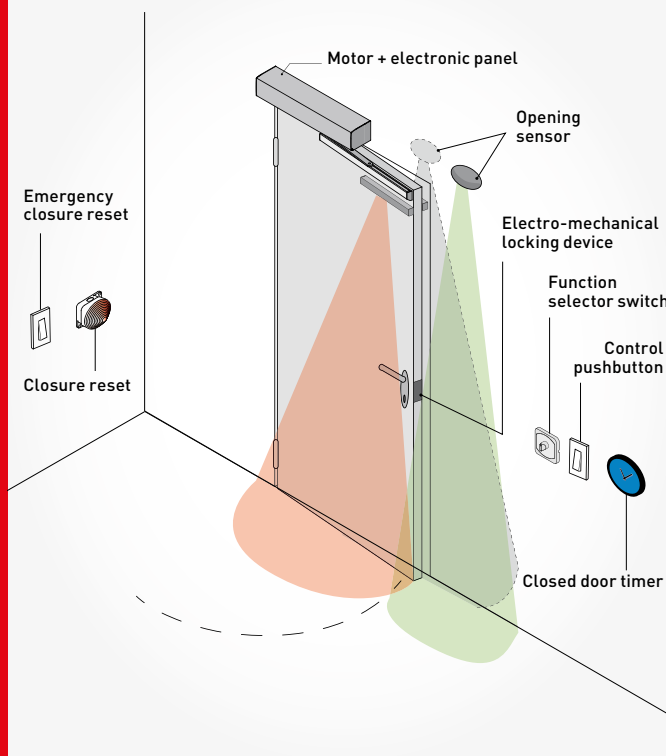
Dimension



Operation diagram



Installation type



Operational functions

| | |
|--|------------|
| Automatic mode | ■ |
| Door-closer mode | ■ |
| LOW ENERGY mode | ■ |
| Power-Assist mode | ■ |
| PUSH&GO opening | ■ |
| Integrated basic selector | ■ |
| Key selector | ■ optional |
| Knob selector | ■ optional |
| Synchronised double wing management | ■ optional |
| Advanced partial opening management on double wing | ■ optional |
| Monitored presence sensor control (EN 16005 compliant) | ■ |
| Battery operation | ■ optional |
| Priority opening control | ■ optional |
| Door-open status signal output | ■ optional |
| Operator error/alarm signal | ■ optional |
| Error indication external LED | ■ optional |
| External fire alarm indicator and reset button | ■ optional |
| Can be used with fire resistant doors | ■ |

Choice of configuration cards

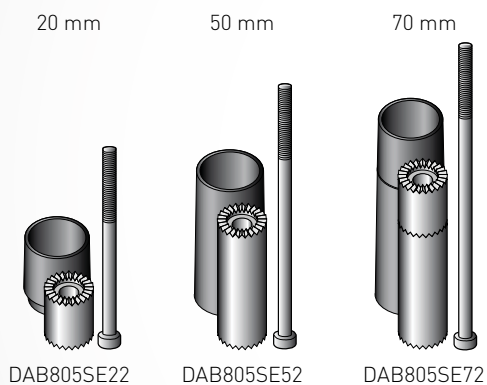
DAB905ESE CARD FUNCTIONS

- Use of the electro-mechanical lock
- Use of the COM400MHB and COM400MKB function-selectors
- Output connection for step-by-step operation
- Connection for installation of a second opening device (sensor or button)
- Priority-opening connection (to bypass night closure, for example)
- Battery use
- Use of the operating unit on fire doors

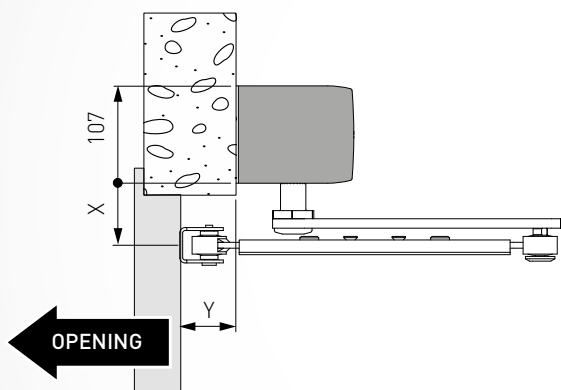
DAB905ESA CARD FUNCTIONS

- Connection of two or more monitored REM safety sensors (in compliance with EN 16005)
- Disabling of the safety sensors in the 45-90° angle when opening (e.g. presence of a side wall)
- Output contact for managing door state (open/closed) indicator device
- Operator error/alarm signal

Shaft extension kit



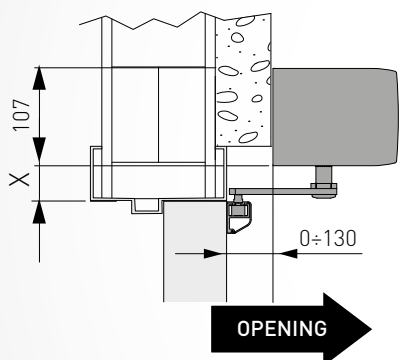
Automation with articulated movement arm DAB805PSA2



| X | Shaft extension |
|-----|-----------------|
| 48 | / |
| 68 | DAB805SE22 |
| 98 | DAB805SE52 |
| 118 | DAB805SE72 |

| Y | Joint arm | |
|---------|------------------------|--|
| 0-100 | / | |
| 100-215 | DAB805TFL | |
| 215-305 | DAB805TFS DAB805TKJ | |

Automation with sliding movement arm DAB805PLA2



| X | Shaft extension |
|-----|-----------------|
| 46 | / |
| 66 | DAB805SE22 |
| 96 | DAB805SE52 |
| 116 | DAB805SE72 |



The automation for swing doors Ditec DAB305 offers state-of-the-art technology matched with contemporary design. A total height of just 70 mm, a maximum capacity up to 450 kg and a wide range of operational functions make the DAB305 the ideal operator for any application.



INNOVATIVE DESIGN

- Elegantly stylish and also extraordinarily practical, with a total height of just 70 mm
- Superior energy efficiency with a switching power supply unit
- 21 sets of pre-configured parameters



VERSATILE

- PUSH&GO, LOW ENERGY and Servo-Assistance
- DOUBLE ACTION, with manual door opening for use in escape routes
- INVERSE
- Usable for fire doors



POWERFUL

- Maximum capacity up to 450 kg
- Closing force EN 4 - 7 for version with articulated arm and EN 4 - 6 for version with sliding arm

Basic automation

| Article Code | Description of article |
|--------------|---|
| PMDAB305 | Operator with pre-installed ESE and ESA cards, pull arm extension 20 mm (DAB805PAE), adapter for DAB305 pull arm in case of installation height under 20 mm (DAB805LA), shaft extension 20 mm (DAB80522) and LONG extension kit for telescopic/articulated arm (DAB805TFL) [arm needs to be ordered separately] |
| PMDAB305PS | Operator with pre-installed ESE and ESA cards, articulated movement arm (DABPSA3), shaft extension 20 mm (DAB80522) and LONG extension kit for telescopic/articulated arm (DAB805TFL) |
| PMDAB305PL | Operator with pre-installed ESE and ESA cards, pull/sliding movement arm (DABPLA3), pull arm extension 20 mm (DAB805PAE), adapter for DAB305 pull/sliding arm in case of installation height under 20 mm (DAB805LA) |

Movement arms

| Article Code | Description of article |
|--------------|--|
| PMDAB805PSA3 | Articulated movement arm (also for fire doors) |
| PMDAB805PLA3 | Sliding movement arm (also for fire doors), L = 400 mm, sliding track 690 mm, wing min. 700 mm |
| PMDAB805PLA4 | Sliding movement arm for heavy duty doors, L = 600 mm, sliding track 890 mm, wing min. 1050 mm |
| PMDAB805PLA5 | Sliding movement arm for narrow doors, L = 220 mm, sliding track 380 mm, wing min. 450 mm, max. 750 mm |
| PMDAB805DAR | Double acting kit DIN right |
| PMDAB805DAL | Double acting kit DIN left |

Accessories

| Article Code | Description of article |
|--------------|------------------------|
|--------------|------------------------|

Battery kit

| | |
|--------------|-------------|
| PMDAB905BAT3 | Battery kit |
|--------------|-------------|

To use DAB305 on double wing doors

| | |
|-------------|--------------------------------|
| PMDAB905SYN | Synchronism cable, L = 3000 mm |
|-------------|--------------------------------|

| | |
|-------------|--------------------|
| PMDAB805C37 | Cover, L = 3700 mm |
|-------------|--------------------|

| | |
|--------------|---|
| PMDAB805CMP1 | Cover middle piece, L = 950 mm, including middle caps and wall brackets |
|--------------|---|

| | |
|-------------|--------------------------------|
| PMDAB805COU | Mechanical coordination device |
|-------------|--------------------------------|

| | |
|-------------|---|
| PMDAB805ROD | Rod kit for coordination device (3 bars of 650 mm each) |
|-------------|---|

| | |
|------------|---------|
| PMDAB805EP | End cap |
|------------|---------|

Telescopic kit for articulated movement arm

| | |
|-------------|---------------------|
| PMDAB805TFL | Telescopic kit long |
|-------------|---------------------|

| | |
|-------------|----------------------|
| PMDAB805TFS | Telescopic kit short |
|-------------|----------------------|

| | |
|-------------|--|
| PMDAB805TKJ | Telescopic joint to be combined with DAB805TFS |
|-------------|--|

Shaft extension kit

| | |
|--------------|-----------------------|
| PMDAB805SE22 | Shaft extension 20 mm |
|--------------|-----------------------|

| | |
|--------------|-----------------------|
| PMDAB805SE52 | Shaft extension 50 mm |
|--------------|-----------------------|

| | |
|--------------|-----------------------|
| PMDAB805SE72 | Shaft extension 70 mm |
|--------------|-----------------------|

| | |
|-------------|--------------------------|
| PMDAB805PAE | Pull arm extension 20 mm |
|-------------|--------------------------|

| | |
|------------|---|
| PMDAB805LA | Adapter for pull and push arms in case of installation height under 20 mm |
|------------|---|

Spacer pull arm

| | |
|-------------|--|
| PMDAB805PLS | Spacer for sliding track 710x40x60 mm (for PULL arm) |
|-------------|--|

| | |
|--------------|--|
| PMDAB805PLS2 | Spacer for sliding track 700x20x10 mm (for PULL arm) |
|--------------|--|

Function-selectors

| | |
|-------------|-------------------------------------|
| PMCOM400MHB | Mechanical switch function-selector |
|-------------|-------------------------------------|

| | |
|-------------|----------------------------------|
| PMCOM400MKB | Mechanical key function-selector |
|-------------|----------------------------------|

Specific accessories

| | |
|-------------|--|
| PMDAB905FIK | Fire kit containing a smoke detector ORS142W, a reset & indication device, closing break kit and three pole connection cable harness |
|-------------|--|

| | |
|------------|----------------------------|
| PMDAB905SD | Smoke detector ORS142W kit |
|------------|----------------------------|

| | |
|-------------|-----------------------|
| PMDAB905SD1 | Smoke detector ORS142 |
|-------------|-----------------------|

| | |
|--------------|--------------------------------------|
| PMDAB805SSD1 | Support for smoke detector DAB905SD1 |
|--------------|--------------------------------------|

| | |
|-------------|--|
| PMDAB905CBK | Closing time adjustment kit (for fire application) and opening time INVERSE installation |
|-------------|--|

| | |
|-------------|-----------------------------------|
| PMDAB905RGP | 2 poles relay for general purpose |
|-------------|-----------------------------------|

| | |
|------------|-----------------------|
| PMDAB905EB | Emergency push-button |
|------------|-----------------------|

| | |
|------------|---------------------------------|
| PMDAB805MP | Mounting plate (for fire doors) |
|------------|---------------------------------|

| | |
|-------------|--|
| PMDAB805MPM | Mounting plate middle piece (for fire doors) |
|-------------|--|

| | |
|-------------|--------------------|
| PMDAB805SCI | Sensor cable inlet |
|-------------|--------------------|

| | |
|-------------|----------------------|
| PMDAB905LED | LED alarm signal kit |
|-------------|----------------------|

| | |
|-------------|--|
| PMDAB805FPI | Finger protection, for indoor use, H = 1980 mm |
|-------------|--|

| | |
|--------------|--|
| PMDAB805FP20 | Finger protection, for outdoor use, H = 2015 mm (EN 16005) |
|--------------|--|

| | |
|--------------|---|
| PMDAB805FP19 | Finger protection, for outdoor use, H = 1925 mm |
|--------------|---|



DAB305



DAB305PS



DAB305PL



DAB805PSA3



DAB805PLA3



DAB805PLA4



DAB805PLA5



DAB905BAT3



DAB805C37



DAB805COU



DAB805ROD



DAB805PAE



COM400MHB - COM400MKB



DAB805FPI

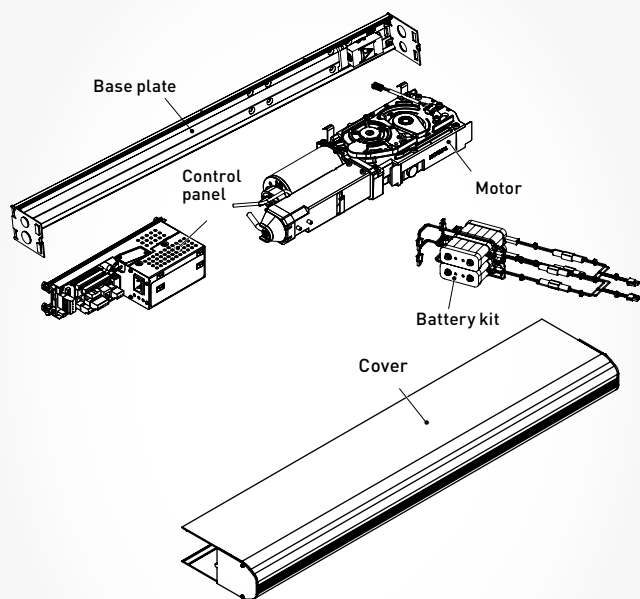


DAB905FIK

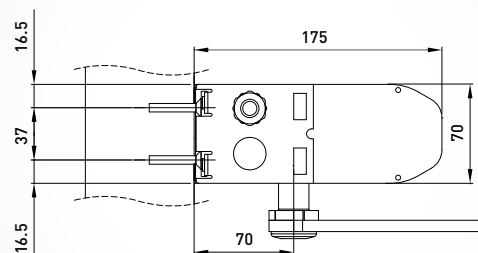


DAB905SD1

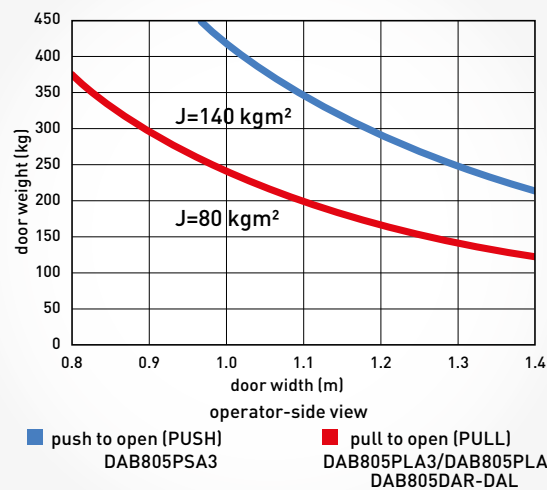
Main components



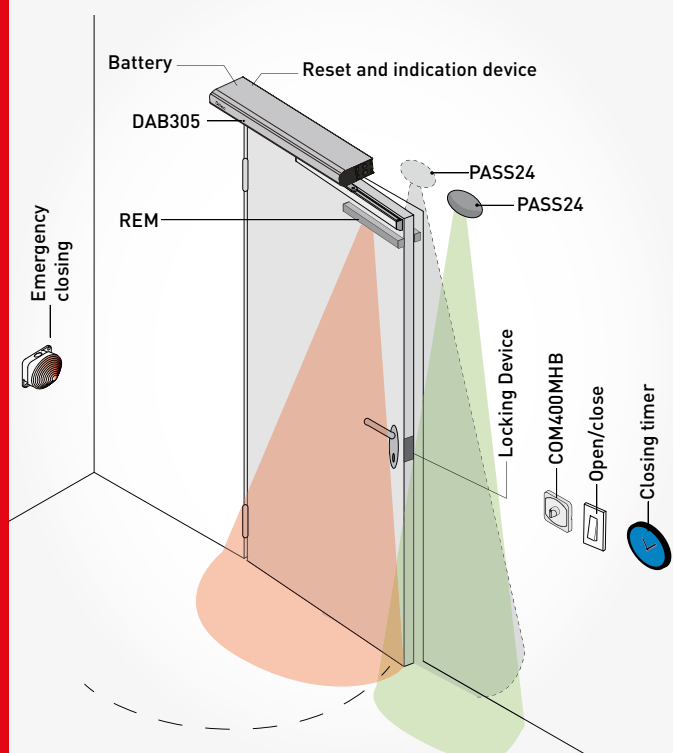
Dimensions



Operation diagram



Installation type



Operational functions

| | |
|-------------------------------------|---|
| ESE configuration card | ■ (electro-mechanical lock, function-selector, fire mode) |
| ESA configuration card | ■ (sensors, alarm signal and doors monitoring status) |
| Integrated basic selector | ■ |
| Automatic mode | ■ |
| Door-closer mode | ■ |
| LOW ENERGY mode | ■ |
| Power-Assist mode | ■ |
| PUSH&GO opening | ■ |
| INVERSE mode | ■ |
| Double acting mode | ■ optional |
| Battery operation | ■ optional |
| Synchronised double wing management | ■ optional |
| Fire rated | ■ DIN 18263-4, EN 1158, EN16005 |
| Fire rated Kit | ■ optional |
| Coordination unit | ■ optional |



ACCESSORIES

Slider Configuration Tool

Function-selectors

Ditec Door Connect

Sensors

Infra-red barriers

Control devices

Photocells and interlock

Slider Configuration Tool



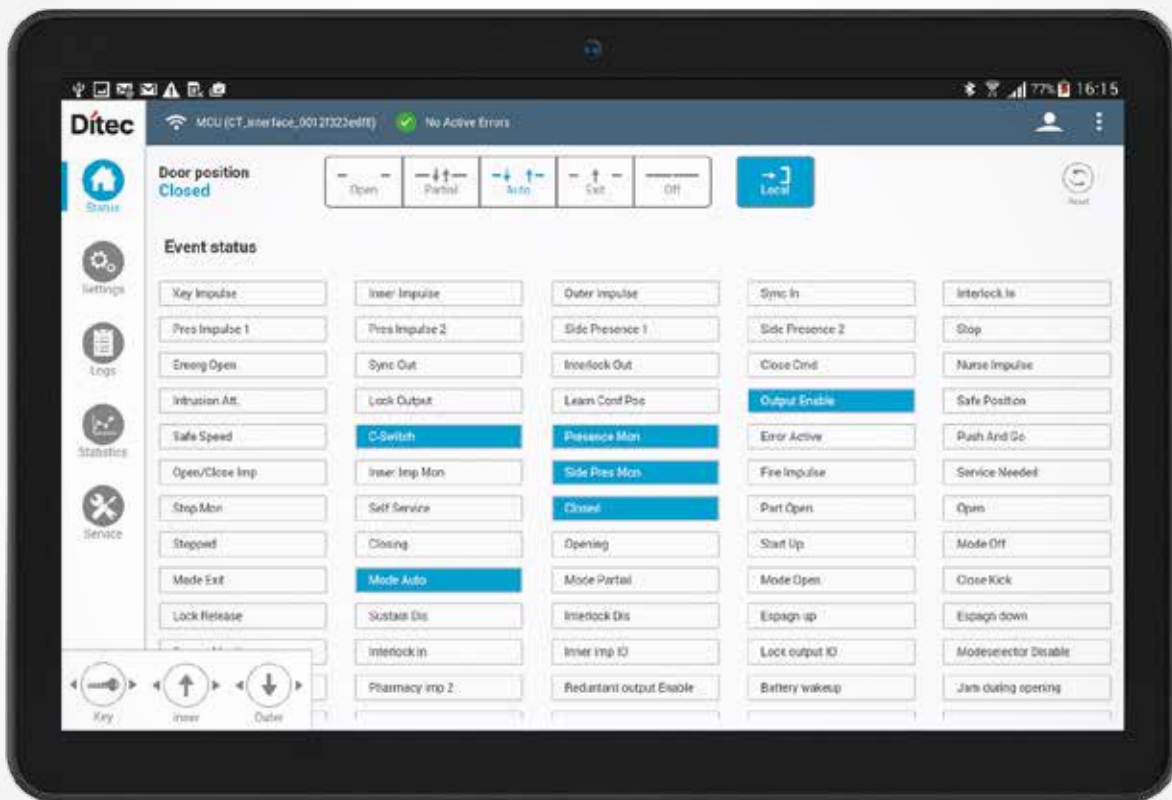
An **advanced software (DAS900CT) for installers**, allowing the **complete configuration** and management of DAS automation from a tablet (requires DAS900CTI interface). This software offers the installer the following features:

- Usage of 5 controller functions, including **RESET**
- **Configure all parameters** of the control panel
- Download and upload **preset parameter configurations**
- Manage **events** and **errors log**
- Manage complete **statistics log**
- Electrical board software update



Configuration accessories - Configuration Tool

| Article Code | Article Description |
|--------------|--|
| PMDAS900CT | Configuration Tool. Configuration App for tablet (only for Android devices) |
| PMDAS900CTI | Bluetooth® interface for direct connection between the Control Panel and the Slider Configuration Tool |



Function-selectors

Programming units for automatic doors



The range of Ditec COM selector switches represents the perfect choice to control the operating modes of one or more automation systems. The wide selection of types makes it possible to find the perfect solution for every environment, all in perfect safety: from the mechanical rotary solution to an advanced electronic selector switch for a more elegant and technological solution.

Easy installation and use, as they can be fitted to the wall (against flat surface or recessed), and are easily adapted to the principal standard switch and power-socket formats.

Rotary function-selectors

Function-selectors for setting the various operating modes of automatic doors. Available with handle operation or key operation. The control piece is a 6-position rotary electro-mechanical switch

| Article Code | Description of article |
|---------------------|---|
| PM COMH | Rotary function-selector with handle operation (for VALOR HS-HH and SPRINT) |
| PM COMK | Rotary function-selector with key operation (for VALOR HS-HH and SPRINT) |
| PM COM400MHB | Mechanical function-selector with handle operation (for DAB) |
| PM COM400MKB | Mechanical function-selector with key operation (for DAB) |

Digital function-selectors

COME is an electronic digital switch created to set the operating modes of electronic panels. It consists of a unit featuring a micro-controller, with front keyboard and indicator LEDs.

It is designed for fitting to a wall, on flat surfaces or recessed, and its size is compatible with the square standard for switches and power sockets. Operating options of COME:

- is able to set up to 4 doors in the same mode
- two COME devices can be connected on the same automation
- the COMEL device is available (see accessories): a practical and useful accessory for key locking the COME function-selector, coordinated in the same finish

| Article Code | Description of article |
|--------------------|--|
| PM COME | Electronic digital switch (for VALOR HS-HH) |
| PM MSAPZ | Selector for opening by key from outside |
| PM COM500ES | Digital electronic function-selector (for DAS107PLUS and DAS200) |

Mechanical function-selectors

| Article Code | Article Description |
|---------------------|--|
| PM COM501HCV | Mechanical function-selector with handle operation (for OLLYC, CIVIK) |
| PM COM501MKS | Mechanical function-selector with key operation (for DAS107PLUS and DAS200) |
| PM COM501MHS | Mechanical function-selector with handle operation (for DAS107PLUS and DAS200) |

Electronic function-selectors

| Article Code | Description of article |
|--------------|---|
| PMCOM501ES | Electronic capacitive touch function-selector with Bluetooth® module and RJ45 connector for interface Configuration Tool DAS900CTI (for DAS107PLUS and DAS200) |
| PMCOM501ER | Electronic capacitive touch function-selector and security key with Bluetooth® module and RJ45 connector for interface Configuration Tool DAS900CTI (for DAS107PLUS and DAS200) |
| PMCOM502ES | Electronic capacitive touch function-selector with Bluetooth® module (for DAS107PLUS and DAS200) |
| PMCOM502ER | Electronic function-selector with capacitive touch push buttons, protection key (Euro cylinder) and Bluetooth® module (for DAS107PLUS and DAS200) |

Accessories

| Article Code | Description of article |
|--------------|---|
| PMCOMAR | Double external square box for COM502ER |

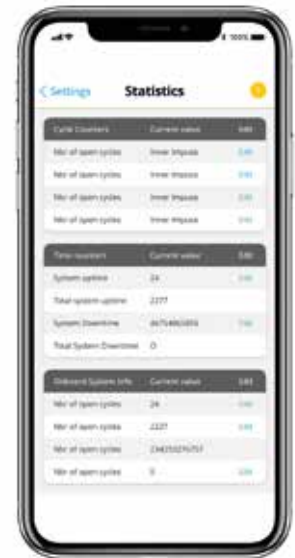
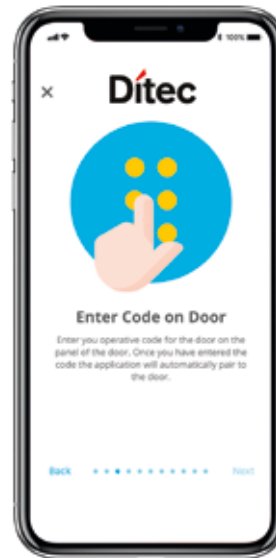
DITEC DOOR CONNECT



Free App available on Play Store and App Store.

For use with latest generation Bluetooth®-equipped COM501 and COM502 function-selectors, offering the end user access to the following features:

- 5 functions, including RESET
- Download and send **events** and **statistics log**
- Download and send **error log**
- Add and manage **App users** (up to 7)
- Manage setting of **partial opening** and **timer-controlled automatic closing parameters**
- **People count and flow control management**





COM501ER - COM501ES



COM502ES



COM502ER



COM501HCV



COME



COMAR



MSAPZ



COM400MHB - COM400MKB



COM501MKS - COM501MHS



COM500ES



COMH - COMK

Sensors

Infra-red and microwaves systems



In many applications, door operation requires a volumetric and/or motion sensor, to allow for people to move through the doors easily: in these situations, Ditec sensors are the right choice for every need.

The wide array of options makes it possible to meet every requirement, from infrared volumetric sensors to microwave technology motion sensors.

The range of Ditec sensors also includes a wide range of products that comply with EN 16005 regulations, both with IR technology (PASAA2 sensor) and with dual technology, for standard openings (PAS024AS and PAS024ASW sensors) and specifically for emergency exits (PAS024ADT and PAS024AMR).

ACTIVE INFRA-RED - Selective with person detection function

Active sensor able to monitor the approach and/or the static presence of a person, with the possibility of regulating the width and the depth of the detection area as well as levels of use and operating frequency

| Article Code | Description of article |
|--------------|---|
| PMPASAN | Movement or person detection sensor 12÷30 Vdc |
| PMPAS005APIH | *Infrared active detection sensor for safe opening and closing operations of sliding doors to be fitted on board of VALOR HS-HH automation, 12÷24 Vdc - IP 44 |
| PMPASAA2 | *Door opening and safety detection sensor for sliding doors and people detection sensor, 12÷30 Vdc - IP 54 |
| PMPAS005AP | *Infrared active detection sensor for safe opening and closing operations of sliding doors, 12÷30 Vdc - IP 54 |

*compliant with the EN 16005 standard

PASSIVE INFRA-RED - Versatile, can be used on all types of automatic doors

PASP - a model featuring simple but effective zoom adjustment of the detection range.
Active (N.O. contact) / passive (N.C. contact) switching

| Article Code | Description of article |
|--------------|------------------------|
| PMPASP | Sensor 12÷24 Vdc |

DUAL TECHNOLOGY - Active infrared 24 GHz microwaves (EN 16005)

| Article Code | Description of article |
|--------------|--|
| PMPAS024AS | *Dual technology sensor, 24 GHz two-way microwaves and active infrared, dual function, for safe operation of sliding doors, 12÷30 Vdc - IP 54 |
| PMPAS024ASW | *Dual technology sensor, 24 GHz one-way microwaves and active infrared, dual function, for safe operation of sliding doors, 12÷30 Vdc - IP 54 |
| PMPAS024ADT | *Dual technology self testing sensor, 24 GHz microwaves and active infrared, dual function, for redundant sliding doors safe operation, 12÷30 Vdc - IP 54 (for DAS200RG e DAS200TRG) |
| PMPAS024AMR | *Dual technology self testing sensor, with LCD menu, 24 GHz microwaves and active infrared, dual function, for redundant sliding doors safe operation, 12÷30 Vdc - IP 54 (for DAS200RG e DAS200TRG) |

*compliant with the EN 16005 standard

MICROWAVES AT 24 GHz - Ideal for quick opening on frequent-transit doors

PASM24 is a system of one (W) or two-way volumetric movement sensors able to effectively and carefully control a large transit area. The range of action of the sensors can be configured in a very flexible way by means of the precise adjustment of the emission lobes and of detection sensitivity

| Article Code | Description of article |
|--------------|-----------------------------------|
| PMPASS24 | Two-way sensor, 24 Vdc - IP 54 |
| PMPASM243 | Two-way sensor, 12÷30 Vdc - IP 54 |
| PMPASM24WA | One-way sensor, 12÷24 Vdc - IP 54 |

LASER - Maximum reliability for swing doors

DL is a LASER based technology safety sensor (time-of-flight presence sensor), ideal solution for swing doors. It generates 170 detection points to provide complete end-user protection. Easy to install, just one sensor is sufficient to cover the entire face of a single door wing including the hinge area, in addition to the shearing area

| Article Code | Description of article |
|--------------|--|
| PMDLR1L | Left-hand laser sensor for use on single or double wings, for hinge-side presence and security, 12÷24 Vdc - IP 54 |
| PMDLR1R | Right-hand laser sensor for use on single or double wings, for hinge-side presence and security, 12÷24 Vdc - IP 54 |
| PMDLR02 | Pair of laser sensors for use on single wing for safety on both sides, 12÷24 Vdc - IP 54 |

ACCESSORIES

| Article Code | Description of article |
|--------------|---|
| PMPASBRA | Rain accessory for the PAS024AS, PAS024ASW products |
| PMPASBBA | Black bracket accessory for the PAS024AS, PAS024ASW products |
| PMBPASB | Black recessed box for the PAS005AP, PAS024AS, PAS024ASW products |
| PMBPASBW | White recessed box for the PAS005AP, PAS024AS, PAS024ASW products |
| PMBPASO | Black recessed box for PASAA2 |
| PMBPASOW | White recessed box for PASAA2 |
| PMBPASBT | Black recessed box for PAS024AMR |



PASBRA + PASBBA



BPASBT



BPASB



DLR1L



PASAN



PASAA2 - PAS024ADT



PASP



PAS024AMR - PAS005AP - PAS024AS/ASW



PASM24WA



PASS24



PASM243






PAS005APIH

Area Sensors



Sensors Selection Guide





MICROWAVE SENSORS

| | | | | | | | | | |
|---|----------|---|---|---|--|--|--|--|------------------|
|  | PASM24WA | ■ | ■ | ■ | | | | | 4x2 or 2x2,2 |
|  | PASM243 | ■ | ■ | ■ | | | | | 4x2 or 2x3 |
|  | PASS24 | ■ | ■ | ■ | | | | | 3,6x2,5 or 2x3,6 |




INFRARED SENSORS

| | | | | | | | | | |
|---|-------|---|--|---|--|--|--|--|---------|
|  | PASAN | ■ | | ■ | | | | | 3,2x2,2 |
|  | PASP | ■ | | | | | | | 2,5x1,5 |


OPENING + SAFETY SENSORS

| | | | | | | | | | |
|---|-----------|---|---|---|---|---|---|---|--------------|
|  | PAS024AMR | ■ | ■ | ■ | ■ | ■ | ■ | ■ | 4x2 or 2x2,5 |
|  | PASAA2 | ■ | | ■ | ■ | ■ | ■ | | 3,8x2,6 |
|  | PAS024AS | ■ | ■ | ■ | | ■ | ■ | | 4x2 or 2x2,5 |
| | PAS024ASW | ■ | ■ | ■ | ■ | ■ | ■ | | 4x2 or 2x2,5 |
|  | PAS024ADT | ■ | ■ | ■ | ■ | ■ | ■ | ■ | 4x2 or 2x2,5 |

SAFETY SENSORS

| | | | | | | | | | |
|---|------------|--|--|--|--|---|---|--|--|
|  | PAS005APIH | | | | | ■ | ■ | | |
|  | PAS005AP | | | | | ■ | ■ | | |
|  | REM90 | | | | | | ■ | | |
| | REM110 | | | | | | ■ | | |

LASER SENSORS

| | | | | | | | | | |
|---|-------|--|--|--|--|--|---|--|--|
|  | DLR02 | | | | | | ■ | | |
| | DLR1L | | | | | | ■ | | |
| | DLR1R | | | | | | ■ | | |

ICON KEY

| | | | |
|--|---|---|--|
|  Control sensor for pedestrian entrances (chemists, offices, shops) |  Control sensor for pedestrian entrances and trolleys (supermarkets, shopping centres) |  Two-way sensor |  One-way sensor |
|  Detection sensor. Used as a safety accessory |  Detection sensor. Used as a complaint safety accessory. TÜV certified according to EN 16005 |  Used as an indoor sensor on redundant automations for emergency exits |  Maximum detection area (width x depth) |

Area Sensors

Sensors Selection Guide



| MICROWAVE SENSORS | | | | | | | |
|---|------------|---|---|--|---|------------|---|
|  | PASM24WA | | | | ■ | 40 mA | ■ |
|  | PASM243 | | | | ■ | 70 mA | |
|  | PASS24 | | | | ■ | 60 mA | |
| INFRARED SENSORS | | | | | | | |
|  | PASAN | | ■ | | | 50 mA | |
|  | PASP | | ■ | | ■ | 15 mA | |
| OPENING + SAFETY SENSORS | | | | | | | |
|  | PAS024AMR | | | | | 100 mA | ■ |
|  | PASAA2 | | ■ | | | 80 mA | |
|  | PAS024AS | | | | | 70 mA | |
| | PAS024ASW | | | | | 70 mA | ■ |
|  | PAS024ADT | | | | | 100 mA | ■ |
| SAFETY SENSORS | | | | | | | |
|  | PAS005APIH | ■ | | | | 50 mA | |
|  | PAS005AP | | | | | 50 mA | |
|  | REM90 | | | | ■ | 70 mA | |
| | REM110 | | | | ■ | 130 mA | |
| LASER SENSORS | | | | | | | |
|  | DLR02 | | | | ■ | 60 + 60 mA | |
| | DLR1L | | | | ■ | 60 mA | |
| | DLR1R | | | | ■ | 60 mA | |

ICON KEY



Sensor built into the cover



Used where a detection area with reduced depth is required



For installation on swing wing



Can also be fixed to the ceiling



Maximum consumption



Energy saving for heating/conditioning systems

Active infra-red barriers



The REM are active volumetric barriers for protecting and/or detecting people and objects.

Because of their specific detection features, they are especially suitable for use on automatic swing doors.

Active infra-red light detection sensors

One or more beams of infra-red light are emitted from the device. When these reflect on an obstacle in the detection area, the output contact is triggered.

Sensitivity is practically independent of the colour and structure of the object surface.

The range and angle of the detection beams are adjustable to adapt to every installation situation

| Article Code | Description of article |
|--------------|---|
| PMREM90 | Single-beam detection sensor in enclosure L = 900 mm |
| PMREM110 | Double-beam detection sensor in enclosure L = 1100 mm |

Operating mode

The REM sensors operate on the principle of suppression of the background.

The background, which is beyond the range of the device, is "perceived" but ignored.

To trigger the sensor, a signal is required, reflected off an object within the set detection range.

The sensor can be fitted moving or fixed, with protection and safety functions.

Ideal use

Detection sensor ideal for small environments where a restricted detection range is required (kitchen/dining room area in hotels, restaurants, etc.).

Anti-impact protection on swing doors.

Anti-crush and anti-shearing protection on sliding doors.



REM90



REM110



Together with its wide range of sensors, Ditec offers the possibility to control its automation systems, both for swing and sliding doors, via other methods such as buttons, proximity sensors and RFID cards for selective access control.

Push-buttons and devices

| Article Code | Description of article |
|--------------|---|
| PMPID24 | Touchless proximity sensor |
| PMAXK5M | Key-operated selector switch on wall with European cylinder. Burglar-proof with metal body. Double electrical contact with double microswitch |
| PM0PSC | Rip button |
| PM0PSE | Red emergency button |
| PM0PSEV | Green emergency pushbutton with key operated release device |
| PM0PUP | Mechanically operated push-button |
| PMPFP1 | Elbow shaped rectangular push-button |
| PMPFP2 | Stainless steel elbow shaped rectangular push-button |
| PMPDP2 | Open door square button for disabled users. Recessed assembled on aluminium profiles |

Special accessories for radio control systems

| Article Code | Description of article |
|--------------|---|
| PMBIXR2 | Two-channel 12–24 Vdc receiver. Supplied complete with removable BIXMR2 memory module. Integrated 433 MHz frequency |
| PMBIXLR42 | Four-channel receiver, 12-24 Vdc, up to 1000 codes stored, operation of the exits can be configured through dip-switch (3 impulsive/step-step exits + 1 impulsive/timed exit). Supplied complete with memory module and BIXMR type adapter |
| PMZEN4 | 4 function rolling code transmitter for 433 MHz. Colour: black |
| PMCONT1 | Board-holding base with enclosure for fitting inside or outside |

Digital combination systems

| Article Code | Description of article |
|--------------|--|
| PMAXK4 | Digital radio keypad with 4 customizable numeric codes. Version 433.92 MHz. Powered by 9 Vdc battery or by connection to 24 Vdc electronic control panel. Configurable via keys. Compatible with Ditec radio protocols: fixed code, rolling code, Encrypted AES-128 bit, PROTECTED Mode |



PID24



AXK5M



ZEN4



OPSE



OPUP



AXK4



PFP1 - PFP2



OPSEV

Photocells and interlock

The broadest range of products

Each automation system must be completed with command, control and safety devices compatible with all the system component parts and applicable regulations.

Ditec distributes top-quality products and accessories able to cater for all requirements.

Compatible only with Ditec OLLY C, CIVIK, SPRINT, VALOR HH, VALOR HS.



Photocells

| Article Code | Description of article |
|------------------|---|
| PM OCEL1 | Point to point operation - Range 7 m 1 amplifier + 1 projector + 1 receiver (in enclosure) |
| PM OCELPR | Point to point operation - Range 7 m 1 projector + 1 receiver |



OCEL1



OCELPR



FRAMES SYSTEMS

Ditec PAMAC in glass

Ditec commercial frame system

Ditec PAM16

Ditec PAM30

Ditec ALU48

Ditec PAMAC

Profiles, accessories and seals dedicated for making glass wings



Ditec profile and seal system allows commercial sliding doors to be made up featuring perfectly built-in and matched components. Once commissioned, the fixed and moving frames are aesthetically pleasing and ensure a very high standard of safety for people who use them, as required by current European standards. Thanks to their long development history, PAM lines allow glass entrances to be built locally, with ease and optimal results, suitable for easy installation of Ditec automations.

PAMAC

The PAMAC series is an essential system which allows prestigious entrances to be created by reducing the door frames in preference to more prominent see-through parts.

The system is specifically designed for 1 wing, 2 wings or telescopic automatic sliding doors, even when featuring fanlights.

Distinctive features of the system

PAMAC, designed to be compatible with current and future automations, consists of a set of reduced size, sturdy mechanical components.

Able to hold up to 12 mm thick glass, it is supplied in the mill finish or anodised aluminium (EURAS C0) version, in pre-set lengths, as shown in the following tables.

Aesthetically pleasing

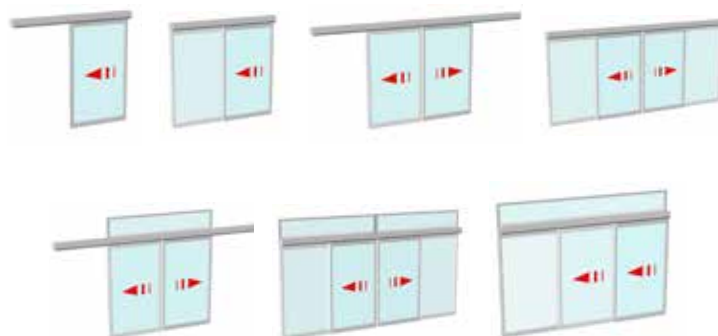
This is a very aesthetically valuable product, consisting of well matched and smooth looking components, which allows a wider glazing surface to be achieved, for better visibility.

Fittings

PAMAC is supplied with all the required manuals to make up the door frames, i.e.: system configuration charts, reference code lists, component sections and types with cutting lists; processing, drilling and assembly tables.

Notes

PAMAC cannot be used with anti-panic breakout systems.

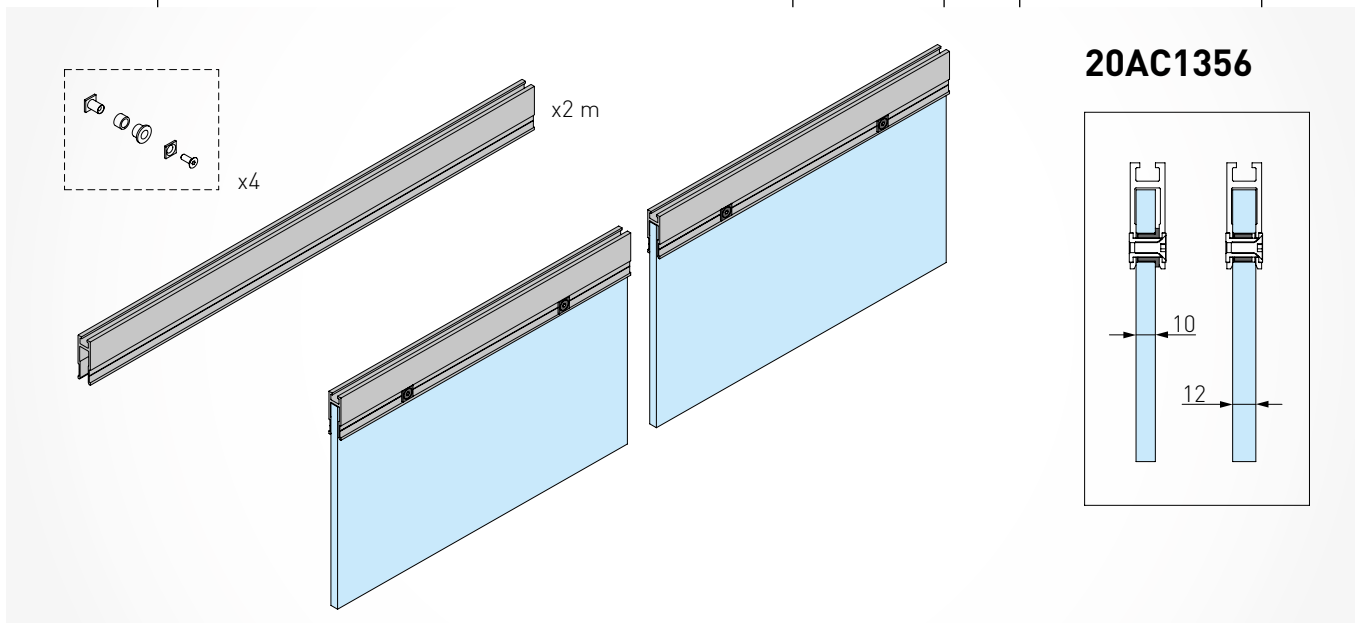


Ditec PAMAC

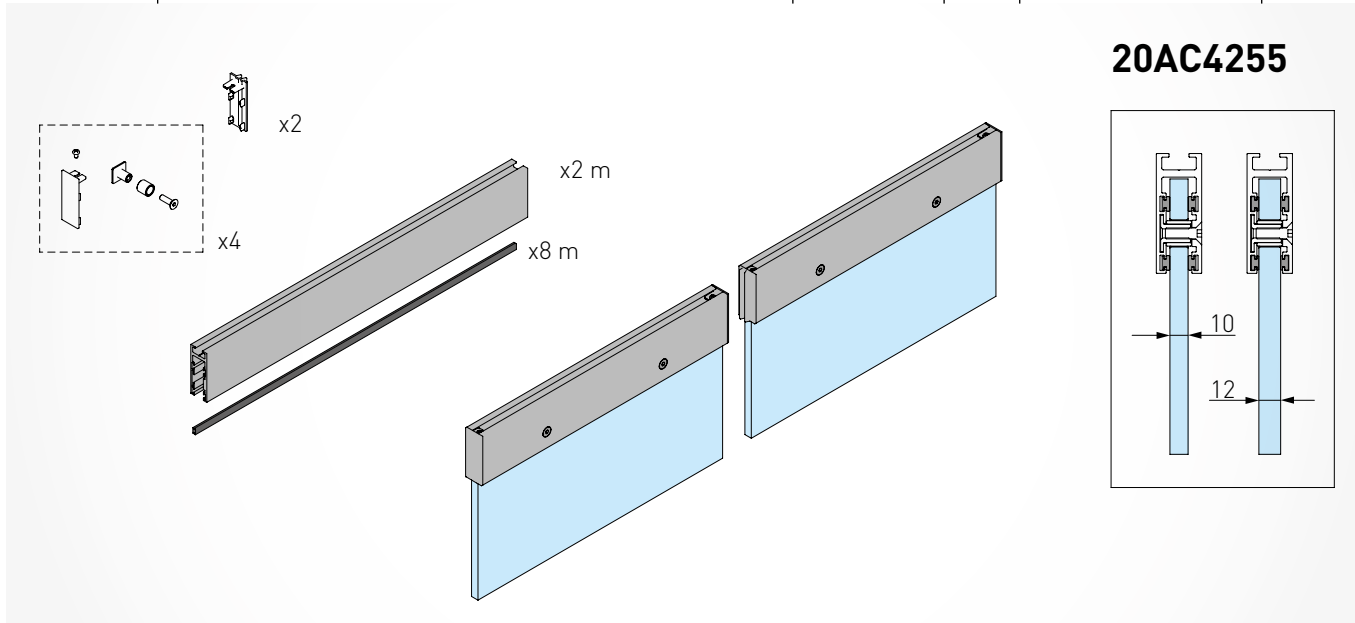
Profiles, accessories and seals dedicated for making glass wings

Aluminium systems and components for Glass Wings

| Drawing no. | Description | Finish | Supply quantity in m | Code | Rod |
|-------------|---|-------------|----------------------|--------------|-----|
| | | | | | |
| AC1356 | MILL FINISH aluminium connection profile L = 2.000 mm for glass wing | Mill finish | 2.00 | PM20AC1356* | |
| | EURAS C0 aluminium connection profile L = 2.000 mm for glass wing | Euras C0 | 2.00 | PM20AC1356N* | |



| | | | | | |
|--------|---|-------------|------|--------------|--|
| AC4255 | MILL FINISH aluminium connection profile L = 2.000 mm for glass wing | Mill finish | 2.00 | PM20AC4255* | |
| | EURAS C0 aluminium connection profile L = 2.000 mm for glass wing | Euras C0 | 2.00 | PM20AC4255N* | |



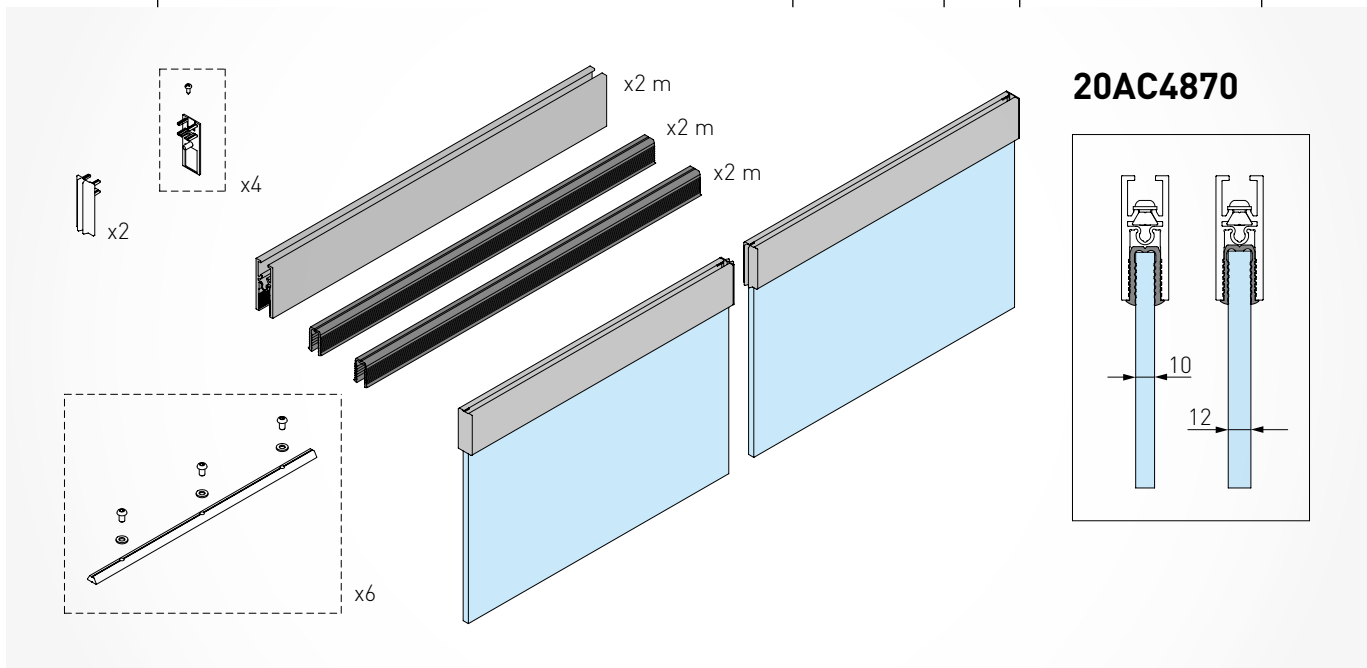
* Note: Floor runner is not included. Please refer to page 107

Ditec PAMAC

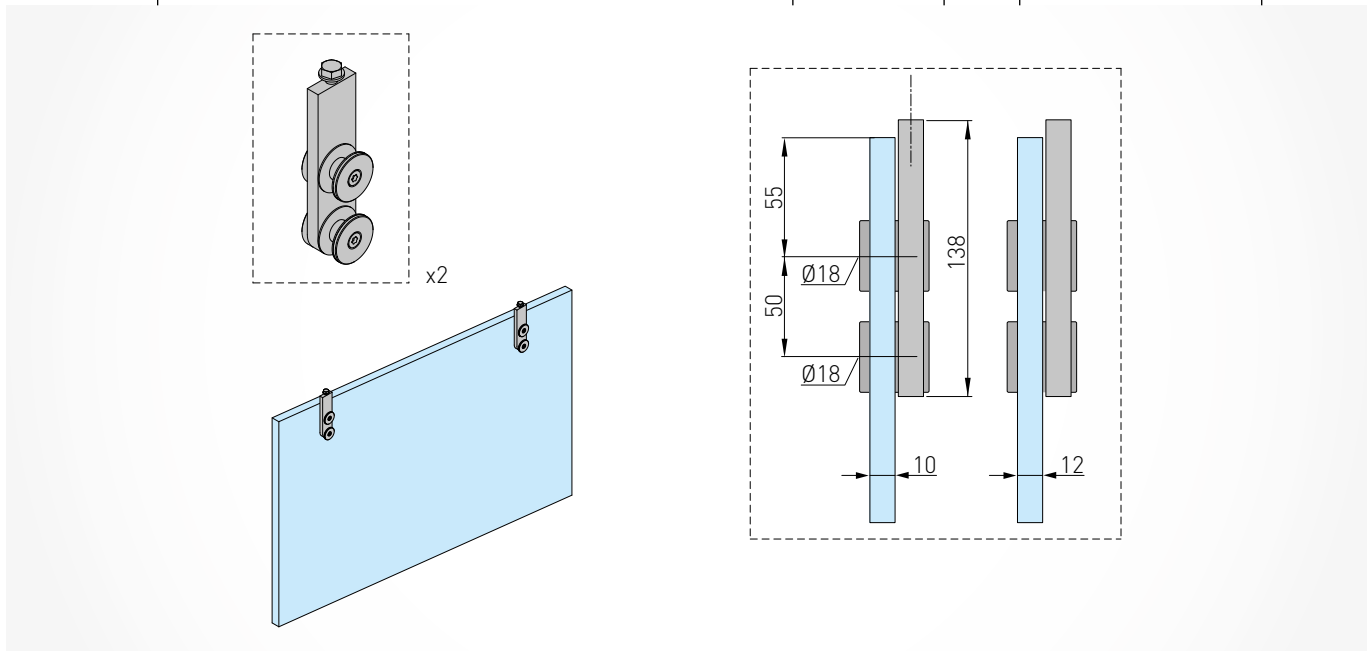
Profiles, accessories and seals dedicated for making glass wings

Aluminium systems and components for Glass Wings

| Drawing no. | Description | Finish | Supply quantity in m | Code | Rod |
|-------------|---|-------------|----------------------|--------------|-----|
| | | | | | |
| AC4870 | MILL FINISH aluminium connection clamp profile L = 2.000 mm for glass wing | Mill finish | 2.00 | PM20AC4870* | |
| | EURAS C0 aluminium connection clamp profile L = 2.000 mm for glass wing | Euras C0 | 2.00 | PM20AC4870N* | |



| | | | | | |
|-----|--|-----------------|------|-------|--|
| ACV | Stainless steel technical connection kit | Stainless steel | 2.00 | PMACV | |
|-----|--|-----------------|------|-------|--|



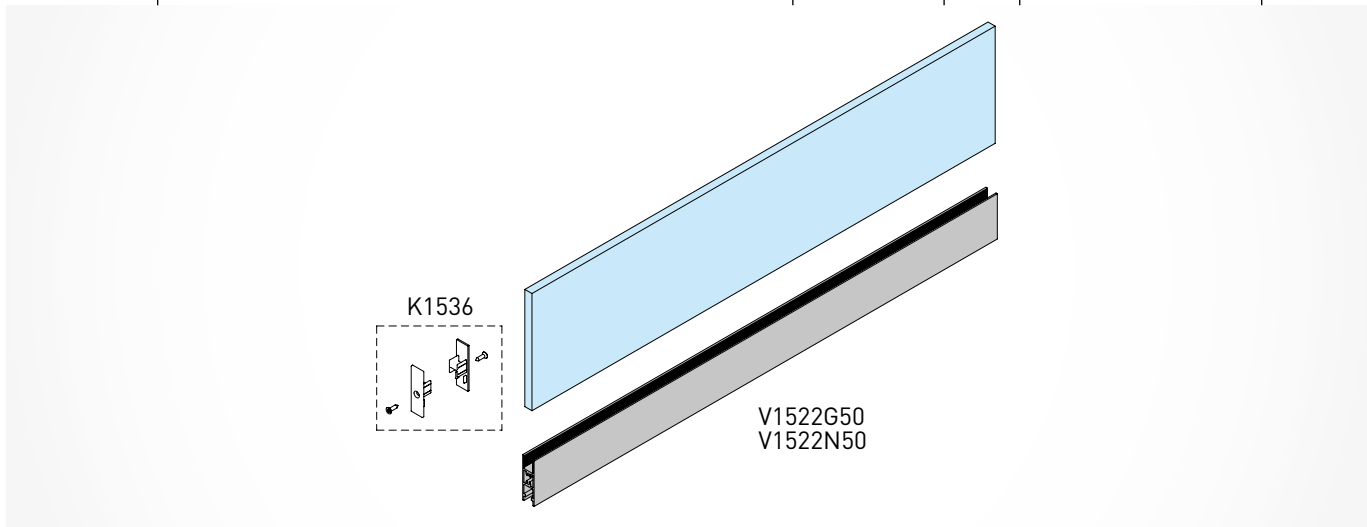
* Note: Floor runner is not included. Please refer to page 107

Ditec PAMAC

Profiles, accessories and seals dedicated for making glass wings

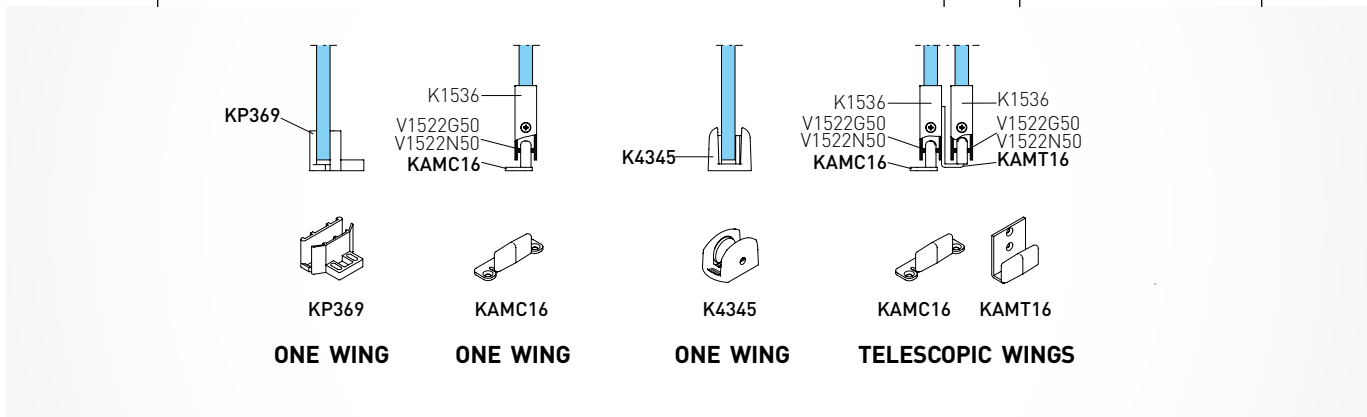
Aluminium systems and components for Glass Wings

| Drawing no. | Description | Finish | Supply quantity in m | Code | Rod |
|-------------|---|-------------|----------------------|------------|-----|
| 1522 | Lower horizontal profile for glass bottom section | Mill finish | 5.05 | PMV1522G50 | |
| | Lower horizontal profile for glass bottom section | Euras C0 | 5.05 | PMV1522N50 | |




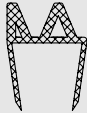
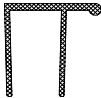
Glass Wing accessories

| Drawing no. | Description | Supply quantity in pcs | Code |
|-------------|---|------------------------|----------|
| - | 1522 bottom section profile head kit for glass wing | 1 | PMK1536 |
| - | Runner for glass wings with 1522 bottom section | 1 | PMKAMC16 |
| - | Glass wing guide runner | 1 | PMKP369 |
| - | Adjustable guide runner for glass wings | 1 | PMK4345 |
| - | Telescopic wing runner kit | 1 | PMKAMT16 |



Ditec PAMAC

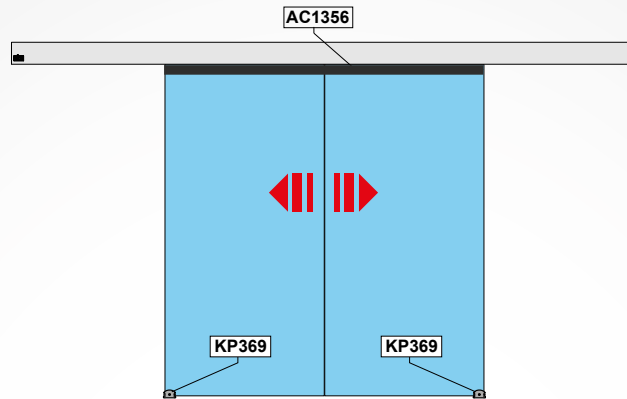
Profiles, accessories and seals dedicated for making glass wings

| Glass Wing seals | | | | | | | | |
|---|--------------|---|-------------|------|-------------------|----------------------|---------------------|----------|
| | Drawing no. | Description | Fixed panel | Wing | Perimeter profile | Supply quantity in m | Code | Rod/Roll |
|  | P765 | Central stop seal for glass wings, 10 mm thick, black | | X | | 2.50 | PMVP765V25 | |
|  | 4292 | Central stop seal for glass wings, 10 mm thick, see-through | | X | | 3.00 | PMVGR429230 | |
|  | P785A | Seal for glass wings, 10 et 12 mm thick, see-through | X | X | | 3.00 | PMVGRP785A30 | |

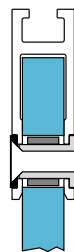
Ditec PAMAC

Examples of cross section types

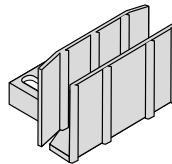
AC1356



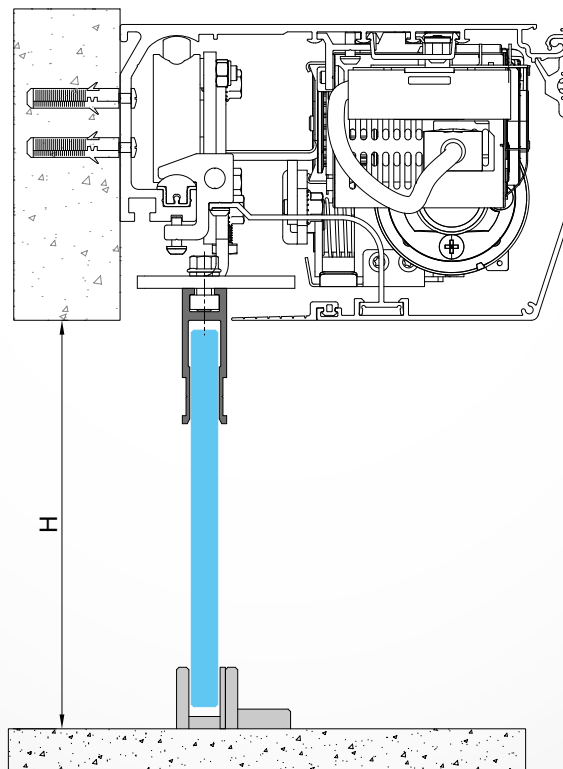
AC1356



KP369



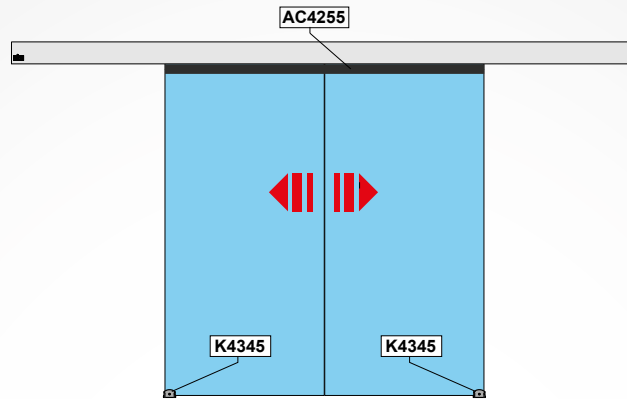
Ditec DAS200



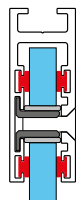
Ditec PAMAC

Examples of cross section types

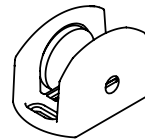
AC4255



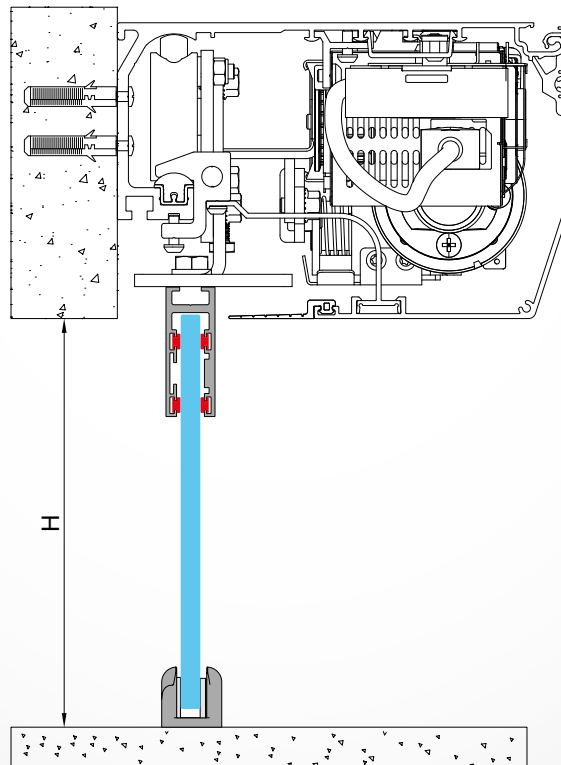
AC4255



K4345



Ditec DAS200



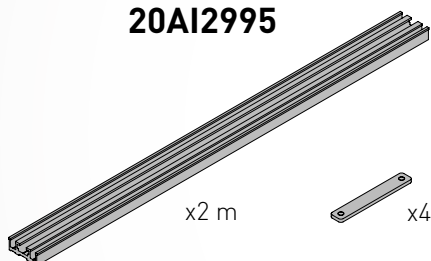
Ditec commercial frame aluminium system

Profiles and accessories dedicated for making commercial wings

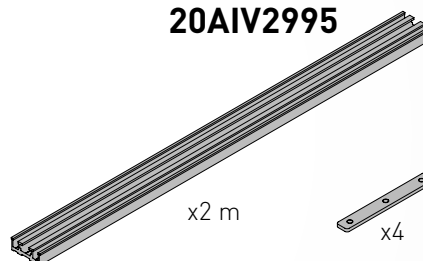
Aluminium systems for generic framed wings

| Drawing no. | Description | Finish | Supply quantity in m | Code | Rod |
|-------------|---|-------------|----------------------|---------------|-----|
| 20AI2995 | MILL FINISH aluminium connection profile L = 2.000 mm for generic framed wing | Mill finish | 2.00 | PM20AI2995* | |
| | EURAS C0 aluminium connection profile L = 2.000 mm for generic framed wing | Euras C0 | 2.00 | PM20AI2995N* | |
| 20AIV2995 | MILL FINISH aluminium connection profile L = 2.000 mm for generic framed wing (Ditec VALOR HS-HH) | Mill finish | 2.00 | PM20AIV2995* | |
| | EURAS C0 aluminium connection profile L = 2.000 mm for generic framed wing (Ditec VALOR HS-HH) | Euras C0 | 2.00 | PM20AIV2995N* | |

20AI2995



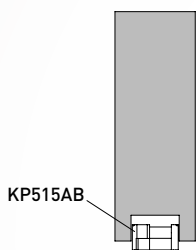
20AIV2995



* Note: Floor runner is not included. Please refer to the below codes

Generic Wing Floor runners

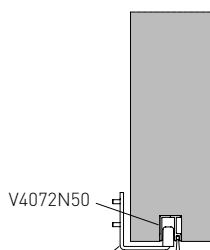
| Drawing no. | Description | Supply quantity in pcs | Code |
|-------------|---|------------------------|------------|
| KP515AB | Framed wing guide runner | 1 | PMKP515AB |
| KPAM45 | Wing runner kit | 1 | PMKPAM45 |
| SPAZ14 | Floor seal brush H 14 mm, rod L = 2500 mm | 1 | PMVSP14V25 |
| V4072N50 | EURAS C0 lower brush holder L = 5050 mm | 1 | PMV4072N50 |



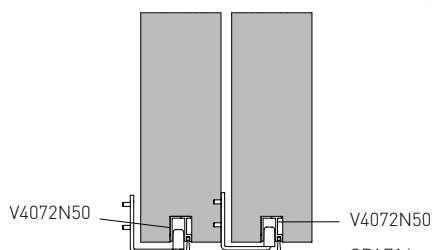
ONE WING



KP515AB



ONE WING



TELESCOPIC WINGS



KPAM45

Ditec PAM16

Profiles, accessories and seals dedicated for making wings



Ditec profile and seal system allows commercial sliding doors to be made up featuring perfectly built-in and matched components. Once installed, the fixed and moving frames are aesthetically pleasing, highly comfortable and substantially energy saving, besides ensuring a very high standard of safety for people who use them, as required by current European standards. Thanks to their long development history, PAM lines allow frames to be built locally, with ease and optimal results, suitable for easy installation of Ditec automations.

PAM16

PAM16 series is a size and weight reduced aluminium profile system, yet very sturdy and highly reliable. The system is specifically designed for 1 wing, 2 wings or telescopic automatic sliding doors.

Distinctive features of the system

PAM16, designed to be compatible with current and future automations, consists of a set of very thin, 16 mm thick profiles. Able to hold up to 11 mm thick glass panels, it is available from stock in the mill finish or anodised aluminium (EURAS C0) version.

Benefits

The benefits ensured are listed below:

- the wings can be made up in the workshop, with major time savings and ease of operation;
- identical assembly screws are supplied, which ensure an easier and faster assembly operation;
- very easy machining, ensured by 90° cuts;
- no brickwork is required as the surrounding profile supports the safety photocell and ensures an easy access to the connection;
- the glass panels can be inserted in the profile without a seal but by simply using silicone;
- air tightness is ensured by a special central double slot-in seal between the wings;
- featuring practically all slot-in components, the system is very easy to assemble.

Aesthetically pleasing

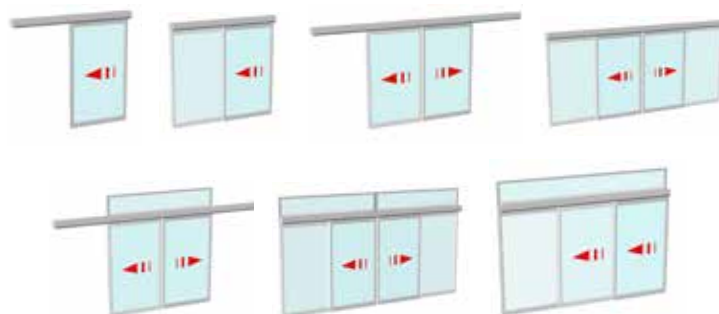
This is a very aesthetically valuable product, consisting of well matched and smooth looking components, which allows a wider glazing surface to be achieved, for better visibility.

Fittings

PAM16 is supplied with all the required manuals to make up the door frames, i.e.: system configuration charts, reference code lists, component sections and types with cutting lists; processing, drilling and assembly tables.






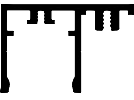

Note

PAM16 cannot be used with anti-panic breakout systems



Ditec PAM16

Profiles, accessories and seals for making wings and panels

| Aluminium profiles for framed wings | | | | | | | | | |
|---|-------------|--------------------------|-------------|------|-------------------|-------------|----------------------|------------|-----|
|  | Drawing no. | Description | Fixed panel | Wing | Perimeter profile | Finish | Supply quantity in m | Code | Rod |
| | | | | | | | | | |
|  | P598 | Snap-on cover | | | X | Mill finish | 5.05 | PMVP598G50 | |
| | | | | | | Euras C0 | 5.05 | PMVP598N50 | |
|  | 1522 | Lower horizontal profile | X | X | | Mill finish | 5.05 | PMV1522G50 | |
| | | | | | | Euras C0 | 5.05 | PMV1522N50 | |
|  | 1523 | Vertical profile | X | X | X | Mill finish | 5.05 | PMV1523G50 | |
| | | | | | | Euras C0 | 5.05 | PMV1523N50 | |
|  | 1524 | Fixed panel base profile | X | | | Mill finish | 5.05 | PMV1524G50 | |
| | | | | | | Euras C0 | 5.05 | PMV1524N50 | |
|  | 1525 | Perimeter frame | | | X | Mill finish | 5.05 | PMV1525G50 | |
| | | | | | | Euras C0 | 5.05 | PMV1525N50 | |
|  | R875 | Wing upper profile | | X | | Mill finish | 5.05 | PMVR875G50 | |
| | | | | | | Euras C0 | 5.05 | PMVR875N50 | |





Ditec PAM16

Profiles, accessories and seals for making wings and panels

Covering rear sides

| | Drawing no. | Description | Finish | Supply quantity in m | Code | Rod |
|---|-------------|--|-------------|----------------------|-------------|-----|
|  | 4331D | Generic rear side profile for per DAS200 | Mill finish | 6,65 | PMV4331DG66 | |
| | | | Euras C0 | 6,65 | PMV4331DN66 | |

Framed wing seals

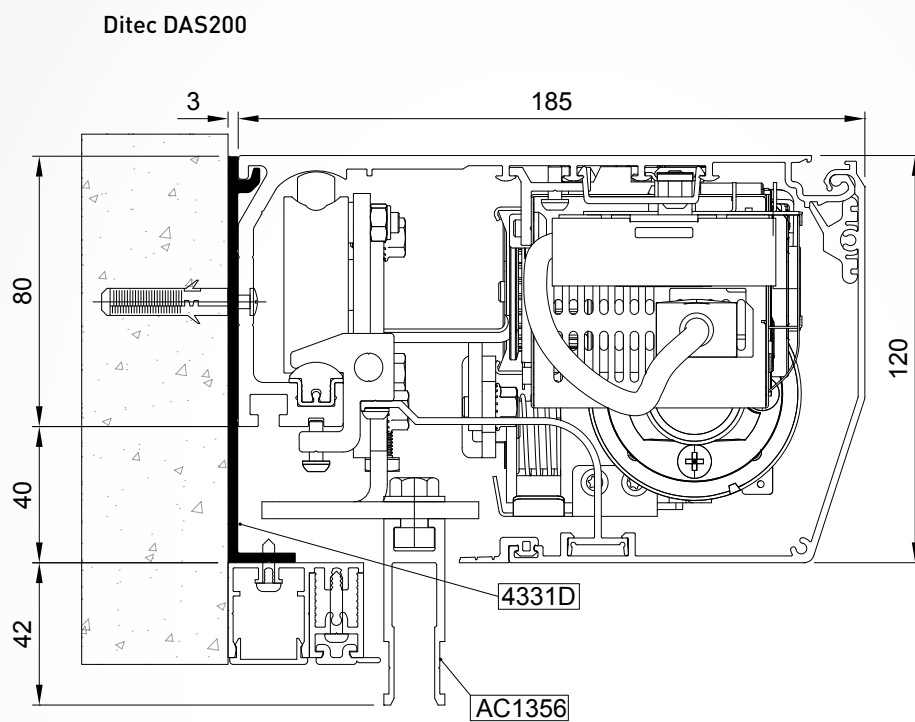
| | Drawing no. | Description | Fixed panel | Wing | Perimeter profile | Supply quantity in m | Code | Rod/Roll |
|---|-------------|------------------------------|-------------|------|-------------------|----------------------|--------------|----------|
|  | 4291A | Wing closing seal PAM16 | X | X | | 30 | PMRGR4291A30 | |
|  | 4291B | Wing closing seal PAM16 | X | X | X | 30 | PMRGR4291B30 | |
|  | 1526B | Wing central stop seal PAM16 | | X | | 2.50 | PMV1526BV25 | |
|  | T62 | Seal for 8/9 mm glazing | X | X | | 100 | PMRGRT62100 | |

Framed Wing accessories

| | | | | | | | |
|---|-------------------------------------|---|---|---|---|----------|--|
| - | Casing profile fixing kit | | | X | 1 | PMK1525 | |
| - | Fixed panel accessories kit | X | | | 1 | PMKAF16 | |
| - | Wing accessories kit | | X | | 1 | PMKAM16 | |
| - | Telescopic wing runner kit | | X | | 1 | PMKAMT16 | |
| - | Runner for glass standard wings kit | | X | | 1 | PMKAMC16 | |

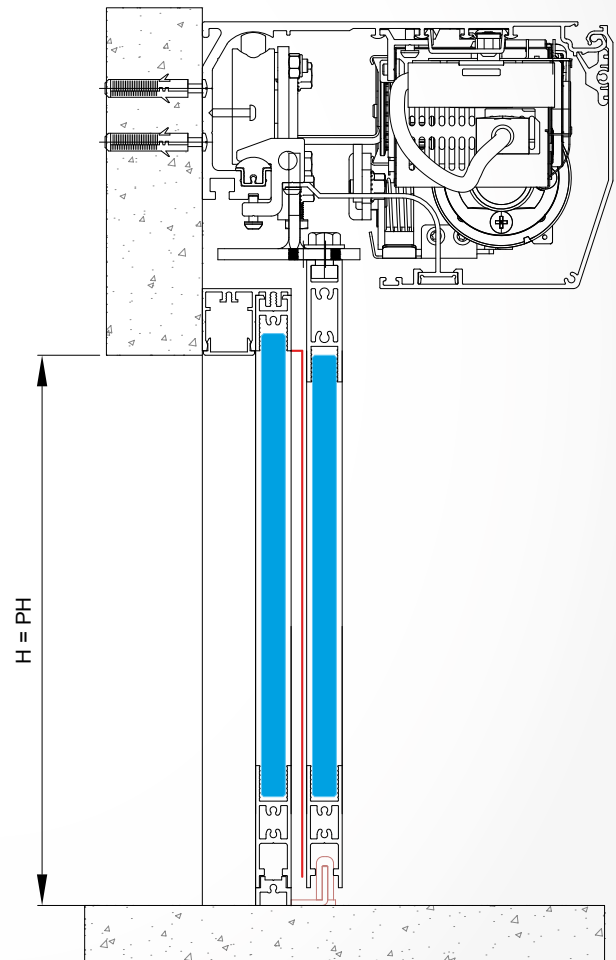
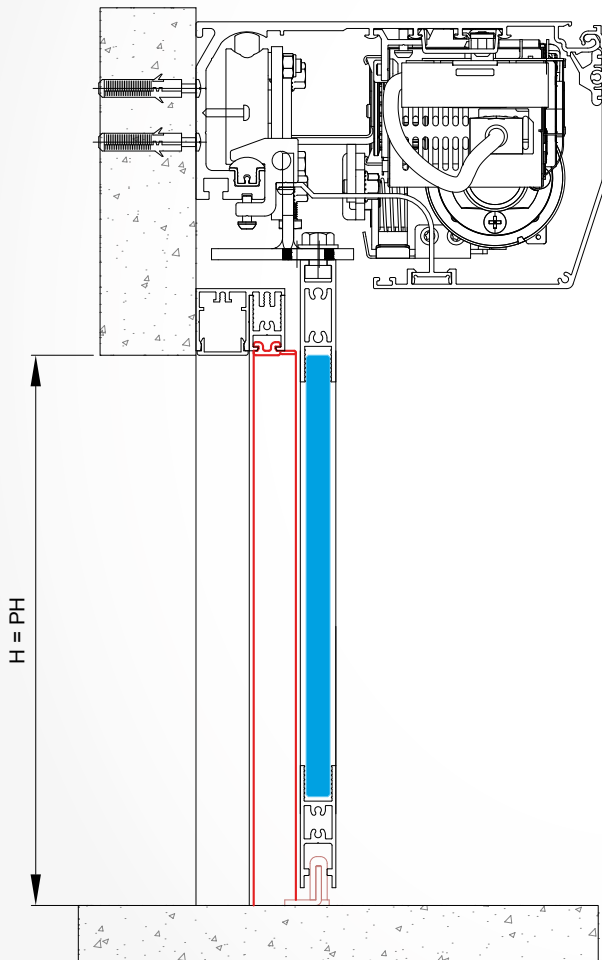
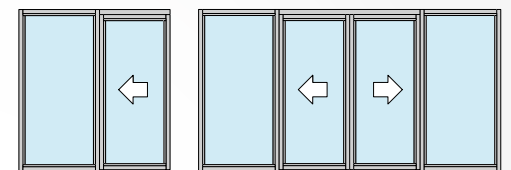
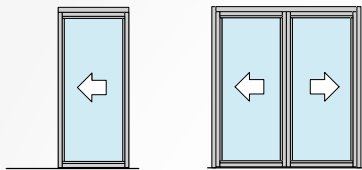
Ditec PAM16

Application of rear side profile code 4331D



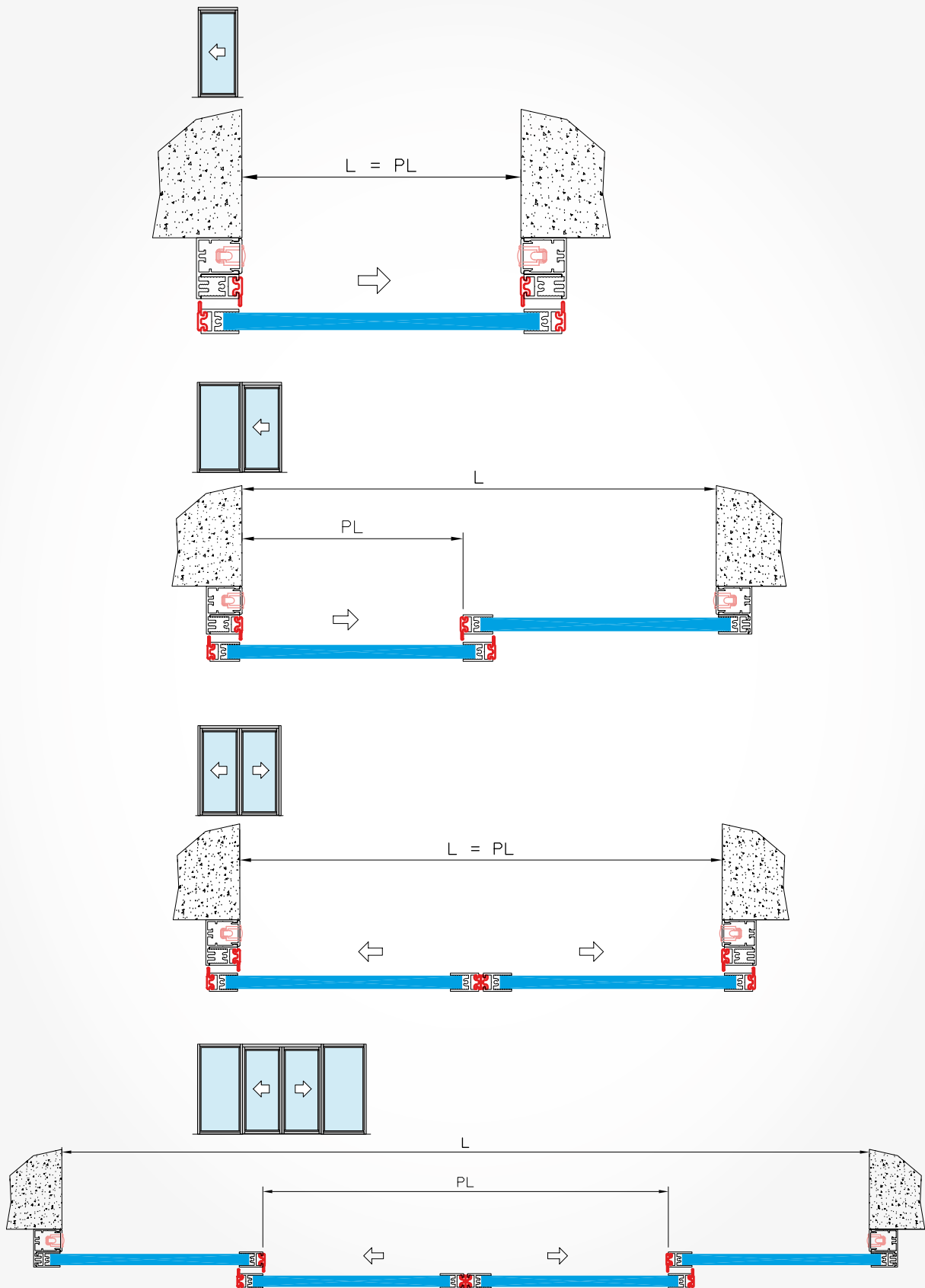
Ditec PAM16

Examples of cross section types



Ditec PAM16

Examples of cross section types



Ditec PAM30

Profiles, accessories and seals dedicated for making wings



Ditec profile and seal system allows commercial sliding doors to be made up featuring perfectly built-in and matched components. Once installed, the fixed and moving frames are aesthetically pleasing, highly comfortable and substantially energy saving, besides ensuring a very high standard of safety for people who use them, as required by current European standards. Thanks to their long development history, PAM lines allow frames to be built locally, with ease and optimal results, suitable for easy installation of Ditec automations. Product specific accessories and technical devices ensure an easy and fully adjustable installation.

PAM30

The PAM30 series consists of aluminium profiles for 1 wing, 2 wings or telescopic automatic sliding doors, with fanlights and fixed walls, which positions itself between the PAM16 and the ALU48 series. It is far sturdier than the PAM16 series and can hold 8 to 23 mm thick glazing, whilst it is far thinner than the ALU48 series.

Distinctive features of the system

PAM30, designed to be compatible with current and future automations, consists of a set of visible reduced sections, 30 mm thick profiles.

By using 3 different types of seals, it is able to hold 8/9 mm, 10/11 mm e 22/23 mm unbreakable glasses; supplied in the mill finish and anodised aluminium (EURAS C0) version.

It is also fitted with an adjustable, floor recessed guide, suitable for 1 or 2 wings sliding openings and telescopic openings.

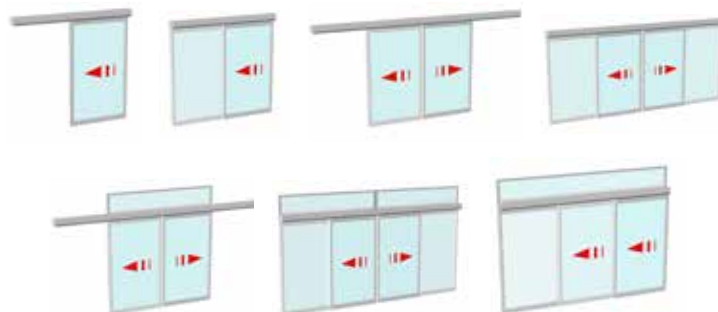
Benefits

The PAM30 series ensures several benefits, such as:

- very easy machining, assembly and installation ensured by: 90° cuts, self-threading screws;
- full compliance with safety international standards;
- alignment of top and bottom crosspieces;
- side closure between wings and frame separated by a pressure seal;
- centrally closed wings with dual stop, dual snap-on seal;
- photocells inserted between the fixed panel or in special wall mounted profiles, when wings only are fitted (only countries outside the EU);
- profiles with totally smooth visible front, with no grooving;
- in the wing bottom section lower profile housings are available to allow runner operation and to insert the floor seal brush.


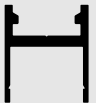
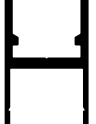
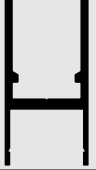




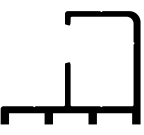
Fittings

PAM30 is supplied with all the required manuals to make up the door frames, i.e.: system configuration charts, reference code lists, component sections and types with cutting lists; processing, drilling and assembly tables.






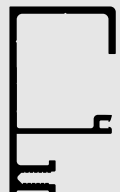
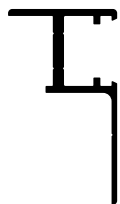


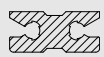
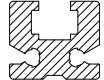
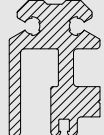
Ditec PAM30

Profiles, accessories and seals for making wings and panels

| Aluminium profiles for framed wings | | | | | | | | | |
|---|-------------|---------------------------------|-------------|------|-------------------|-------------|----------------------|------------|-----|
| | Drawing no. | Description | Fixed panel | Wing | Perimeter profile | Finish | Supply quantity in m | Code | Rod |
|  | P598 | Snap-on cover | | | X | Mill finish | 5.05 | PMVP598G50 | |
| | | | | | | Euras C0 | 5.05 | PMVP598N50 | |
|  | 2085 | Fixed panel upper profile | X | | | Mill finish | 5.05 | PMV2085G50 | |
| | | | | | | Euras C0 | 5.05 | PMV2085N50 | |
|  | 2086 | Wing upper profile | | X | | Mill finish | 5.05 | PMV2086G50 | |
| | | | | | | Euras C0 | 5.05 | PMV2086N50 | |
|  | 2087 | Fixed panel/wing lower profile | X | X | | Mill finish | 5.05 | PMV2087G50 | |
| | | | | | | Euras C0 | 5.05 | PMV2087N50 | |
|  | 2088 | Fixed panel base profile | X | | | Mill finish | 5.05 | PMV2088G50 | |
| | | | | | | Euras C0 | 5.05 | PMV2088N50 | |
|  | 2089 | Wing vertical profile | | X | | Mill finish | 5.05 | PMV2089G50 | |
| | | | | | | Euras C0 | 5.05 | PMV2089N50 | |
|  | 2090 | Fixed panel overlap profile | X | | | Mill finish | 5.05 | PMV2090G50 | |
| | | | | | | Euras C0 | 5.05 | PMV2090N50 | |
|  | 2091 | Wing overlap profile | | X | | Mill finish | 5.05 | PMV2091G50 | |
| | | | | | | Euras C0 | 5.05 | PMV2091N50 | |
|  | 2092 | Photocell door vertical profile | | | X | Mill finish | 5.05 | PMV2092G50 | |
| | | | | | | Euras C0 | 5.05 | PMV2092N50 | |

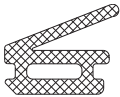
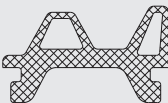


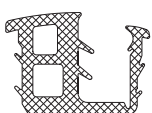
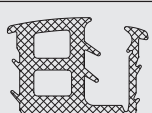
Ditec PAM30

Profiles, accessories and seals for making wings and panels

| Aluminium profiles for framed wings | | | | | | | | | |
|---|-------------|---------------------------------------|-------------|------|-------------------|-------------|----------------------|--------------|-----|
| | Drawing no. | Description | Fixed panel | Wing | Perimeter profile | Finish | Supply quantity in m | Code | Rod |
|  | 2092DE | Photocell door vertical profile | | | X | Mill finish | 5,05 | PMV2092DEG50 | |
| | | | | | | Euras C0 | 5,05 | PMV2092DEN50 | |
|  | 2093 | Fixed panel wall profile | X | | | Mill finish | 5.05 | PMV2093G50 | |
| | | | | | | Euras C0 | 5.05 | PMV2093N50 | |
|  | 2226D | Passageway closure profile for DAS200 | | | X | Mill finish | 5,05 | PMV2226DG50 | |
|  | 3127 | Single-wing stop support profile | | | X | Mill finish | 5.05 | PMV3127G50 | |
| | | | | | | Euras C0 | 5.05 | PMV3127N50 | |
|  | 3128 | Single-wing stop profile | | | X | Mill finish | 5.05 | PMV3128G50 | |
| | | | | | | Euras C0 | 5.05 | PMV3128N50 | |
|  | 3130 | Recessed track housing profile | | | X | Euras C0 | 6.60 | PMV3130N66 | |
|  | 3131 | Recessed track profile | | | X | Euras C0 | 6.60 | PMV3131N66 | |
|  | 2094 | Fixed panel assembly profile | X | | | Mill finish | 5.05 | PMV2094G50 | |
|  | 2095 | Fixed panel/wing assembly profile | X | X | | Mill finish | 5.05 | PMV2095G50 | |
|  | 2096 | Wing assembly profile | | X | | Euras C0 | 5.05 | PMV2096N50 | |

Ditec PAM30


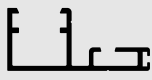
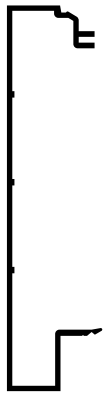
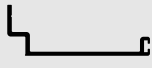

Profiles, accessories and seals for making wings and panels

| Framed wing seals | | | | | | | | |
|---|---------------|---------------------------------------|-------------|------|-------------------|----------------------|--------------------|----------|
| | Drawing no. | Description | Fixed panel | Wing | Perimeter profile | Supply quantity in m | Code | Rod/Roll |
|  | 2139 | Seal for fixed panel/wing | X | | | 2.50 | PMVGR213925 | |
|  | 2098 | Central stop seal for PAM30 wings | | X | X | 2.50 | PMVGR209825 | |
|  | SPAZ14 | Floor seal brush | | X | | 2.50 | PMVSP14V25 | |
|  | 2140 | Seal for 22 mm (3+3/9/3+3) glass pane | X | X | | 40.00 | PMRGR214040 | |
|  | 2141 | Seal for 10 mm (5+5) glass pane | X | X | | 30.00 | PMRGR214130 | |
|  | 2469 | Seal for 8 mm (4+4) glass pane | X | X | | 30.00 | PMRGR246930 | |

| Framed Wing accessories | | | | | | | |
|-------------------------|-------------|---|-------------|------|------------------------|-----------------|--|
| | Drawing no. | Description | Fixed panel | Wing | Supply quantity in pcs | Code | |
| | - | Fixed panel accessories kit | X | | 1 | PMKAF30 | |
| | - | Wing accessories kit | | X | 1 | PMKAM30 | |
| | - | Telescopic wing runner kit | | X | 1 | PMKAMT30 | |
| | - | PAM30 single recessed track accessories kit | | X | 1 | PMKGI | |
| | - | PAM30 telescopic recessed track accessories kit | | X | 1 | PMKGIT | |
| | - | Adhesive strip for indicating presence of transparent glass panes (min. purchase: 20 pcs, forming two 1-meter strips with 10 labels each) | X | X | 1 | PMBDV | |

Ditec PAM30

Profiles, accessories and seals for making wings and panels

| Automation system supporting beams | | | | | | |
|---|-------------|--|-------------|----------------------|-------------|-----|
| | Drawing no. | Description | Finish | Supply quantity in m | Code | Rod |
|  | 4063D | Supporting beam profile H = 160 for DAS200 | Mill finish | 6,65 | PMV4063DG66 | |
| | | | Euras C0 | 6,65 | PMV4063DN66 | |
|  | 4073D | Profile for frame overlap connector with 4063 and 4063D beam | Mill finish | 5.05 | PMV4073DG50 | |
|  | 4085 | Blanking cover profile for 4063 and 4063D beam | Mill finish | 6.65 | PMV4085G66 | |
| | | | Euras C0 | 6.65 | PMV4085N66 | |
|  | 4103 | Profile for frame overlap connector with 4063 and 4063D beam | Mill finish | 5.05 | PMV4103G50 | |
|  | 4671D | Rear side profile H = 143 for DAS200 | Mill finish | 6,65 | PMV4671DG66 | |
| | | | Euras C0 | 6,65 | PMV4671DN66 | |

Ditec PAM30

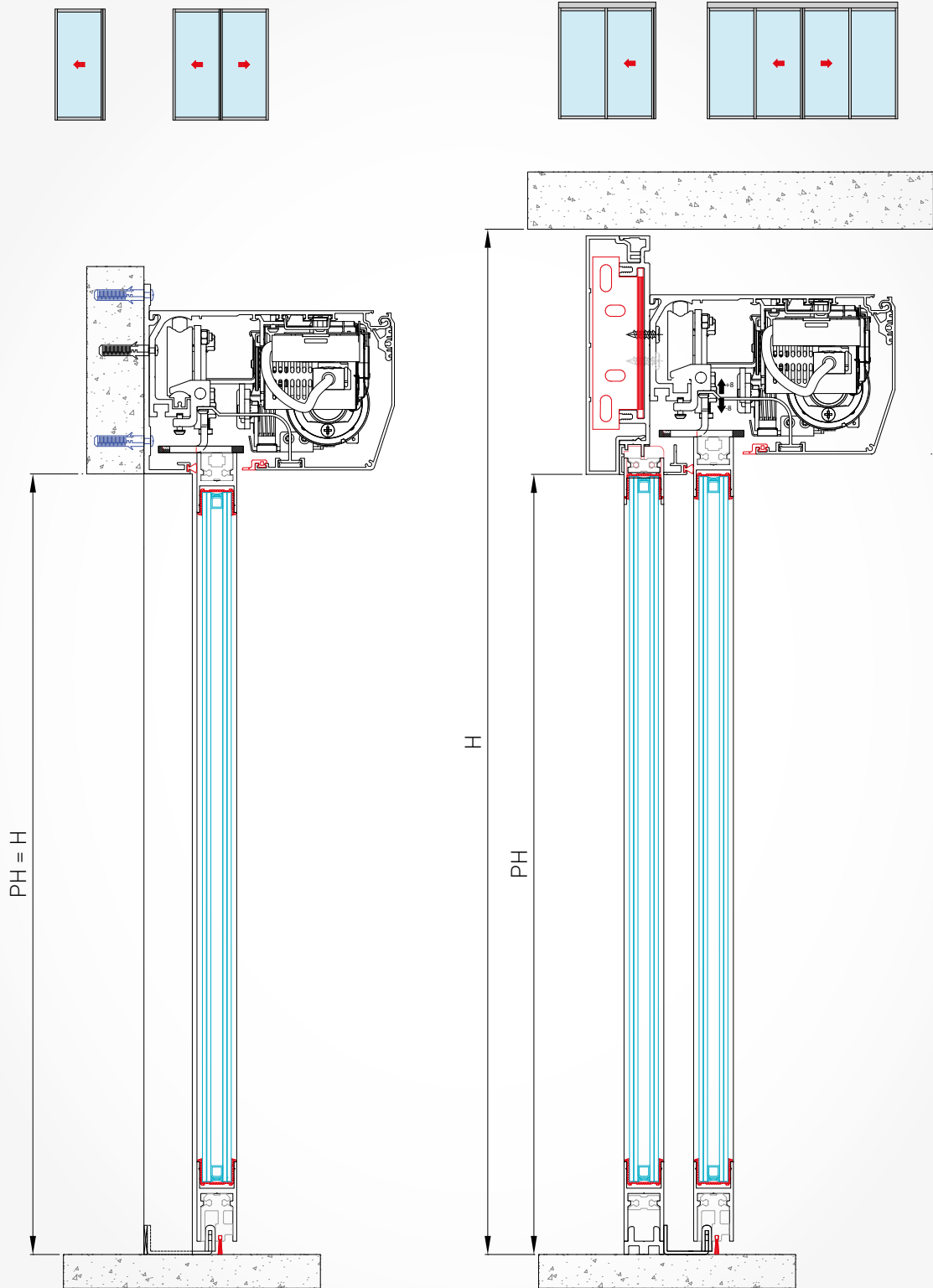
Profiles, accessories and seals for making wings and panels

Supporting beam fastening accessories

| | Drawing no. | Description | Supply quantity in pcs | Code | Rod |
|--|-------------|--|---------------------------|------------------|-----|
| | - | Head brackets kit for beam support - drawing 4063 | 1 | PM KT4063 | |
| | - | Kit for pair of closing caps for head profile 4063 | 1 | PM KTT23 | |

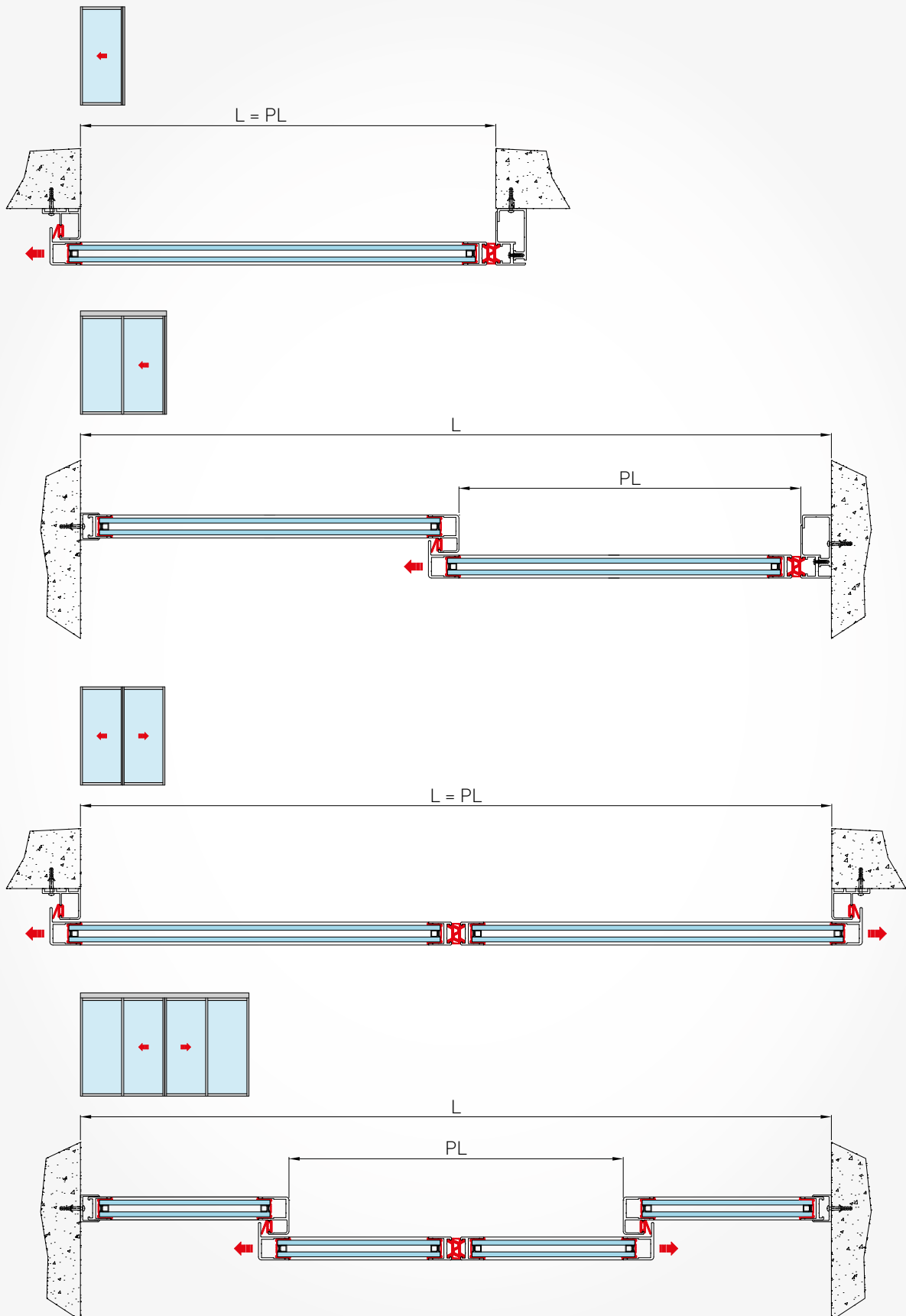
Ditec PAM30

Examples of cross section types



Ditec PAM30

Examples of cross section types



Ditec ALU48

Profiles, accessories and seals dedicated for making wings



Ditec profile and seal system allows commercial sliding doors to be made up featuring perfectly built-in and matched components. Once installed, the fixed and moving frames are aesthetically pleasing, highly comfortable and substantially energy saving, besides ensuring a very high standard of safety for people who use them, as required by current European standards. Thanks to their long development history, ALU lines allow frames to be built locally, with ease and optimal results, suitable for easy installation of Ditec automations. Product specific accessories and technical devices ensure an easy and fully adjustable installation.

ALU48

The ALU48 series is an aluminium profile system specifically designed to make up frames with very quick and simplified machining, installing and commissioning operations.

The system is dedicated to 1 wing, 2 wings or telescopic automatic sliding doors, including those with fanlight and fixed walls, in the standard version and in the wing breakout anti-panic or full breakout versions.

Distinctive features of the system

ALU48, designed to be compatible with current and future automation systems, includes a range of 48-mm-thick profiles, equipped with large vertical profiles, with sturdy visible sections, for all Standard, Telescopic, Transom and Wall types. Prepared to house various types of locks for closing the mobile wings (night closure).

The system can accommodate all types of glass, from 8-40 mm thicknesses, without protruding frames. It comes in mill finish or anodised (EURAS C0) aluminium bars. As an alternative, it has an adjustable floor guide track that is suitable for both 1- or 2-wing sliding and telescopic entrances.

Benefits

The benefits ensured are listed below:

- the fixed components can be installed with self-compensating profile for the surround;
- easier offset of any installation errors;
- the fixed panels are fully independent;
- identical assembly screws are used, ensuring a faster operation;
- simpler machining operations as the wings and fixed panels can be cut at 90°;
- the bottom and top crosspieces can be aligned;
- the wings are centrally closed with a double stop, double slot-in seal;
- the profiles are smooth, without grooving;
- better seal with special brushes.

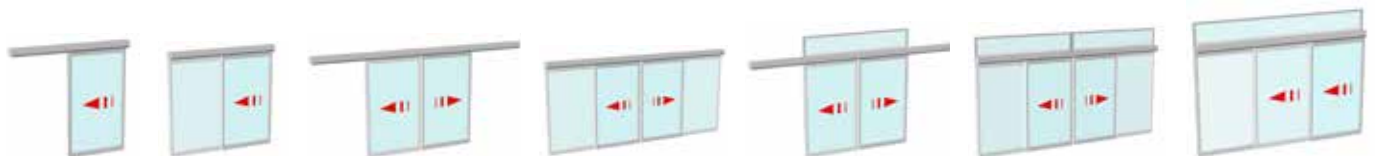
For ALU48 series profiles, three anti-panic wing opening systems are available: SBO, RBO and TBO. The SBO device is a breakout system for inwards sliding wings only; the RBO device for outwards sliding wings only, whilst the TBO device is a full breakout system for both wings and fixed panels.

This device also makes the door suitable as a FIRE EXIT door (TÜV certified). The breakout anti-panic opening system is 48 mm thick, it features steel wings rotation and fixed panels release/retainer pivots, anodised aluminium floor guide, nylon runner and hidden fixed panels rotation hinges.

Fittings



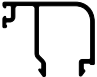
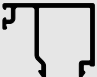
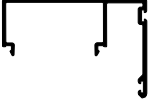


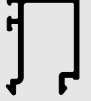

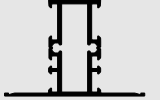
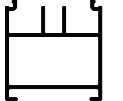
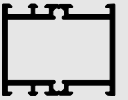
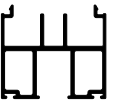
ALU48 has all the technical documentation necessary for the frame such as: system composition tables, distinct reference codes, sections and types, production, perforation, assembly and installation tables.

The system is supported by specific software for the development of all the picking lists for materials and cutting of the profiles.



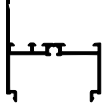


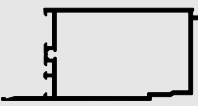

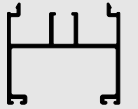


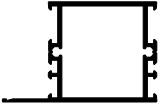
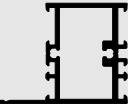



Ditec ALU48

Profiles, accessories and seals for making wings and panels

| Aluminium profiles for framed wings | | | | | | | | | | | |
|---|-------------|---|-------------|------|-----------|-------------|-------------------|-------------|----------------------|-------------|-----|
| | Drawing no. | Description | Fixed panel | Wing | Fanlights | Fixed walls | Perimeter profile | Finish | Supply quantity in m | Code | Rod |
|  | 9800D | Support Beam L = 6600 for DAS200 | | | | | X | Grezzo | 6,60 | PMV9800DG66 | |
| Euras C0 | | | | | | | | PMV9800DN66 | | | |
|  | 9801 | Perimetral Profile L = 6600 | | | | | X | Mill finish | 6.60 | PMV9801G66 | |
| Euras C0 | | | | | | | | PMV9801N66 | | | |
|  | 9802 | 30 Rounded Glassbead L = 5000 | X | X | X | X | | Mill finish | 5.00 | PMV9802G50 | |
| Euras C0 | | | | | | | | PMV9802N50 | | | |
|  | 9803 | 30 Squared Glassbead L = 5000 | X | X | X | X | | Mill finish | 5.00 | PMV9803G50 | |
| Euras C0 | | | | | | | | PMV9803N50 | | | |
|  | 9804 | Labyrinth Profile L = 4900 | X | X | | | | Mill finish | 4.90 | PMV9804G49 | |
| Euras C0 | | | | | | | | PMV9804N49 | | | |
|  | 9805 | Labyrinth Profile For Frame L = 5000 | | | | | X | Mill finish | 5.00 | PMV9805G50 | |
| Euras C0 | | | | | | | | PMV9805N50 | | | |
|  | 9806 | Support central gasket profile L = 4800 | | X | | | | Mill finish | 4.80 | PMV9806G48 | |
| Euras C0 | | | | | | | | PMV9806N48 | | | |
|  | 9807 | 20 Squared Glassbead L = 5000 | X | X | X | X | | Mill finish | 5.00 | PMV9807G50 | |
| Euras C0 | | | | | | | | PMV9807N50 | | | |
|  | 9808 | Labyrinth Profile For Frame L = 4900 | | | | | X | Mill finish | 4.90 | PMV9808G49 | |
| Euras C0 | | | | | | | | PMV9808N49 | | | |
|  | 9809 | Midrail Profile L = 5000 | X | X | X | X | | Mill finish | 5.00 | PMV9809G50 | |
| Euras C0 | | | | | | | | PMV9809N50 | | | |
|  | 9810 | Wing Bottom Profile L = 6000 | X | X | | | X | Mill finish | 6.00 | PMV9810G60 | |
| Euras C0 | | | | | | | | PMV9810N60 | | | |
|  | 9811 | Jamb Tube Profile L = 4900 | X | X | | | X | Mill finish | 4.90 | PMV9811G49 | |
| Euras C0 | | | | | | | | PMV9811N49 | | | |
|  | 9812 | Wing Bottom Profile With Guide L = 5000 | | X | | | | Mill finish | 5.00 | PMV9812G50 | |
| Euras C0 | | | | | | | | PMV9812N50 | | | |



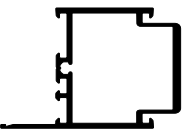




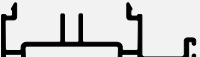



Ditec ALU48

Profiles, accessories and seals for making wings and panels

| Aluminium profiles for framed wings | | | | | | | | | | | |
|---|-------------|---|-------------|------|-----------|-------------|-------------------|-------------|----------------------|------------|-----|
| | Drawing no. | Description | Fixed panel | Wing | Fanlights | Fixed walls | Perimeter profile | Finish | Supply quantity in m | Code | Rod |
|  | 9813 | Overlight Stile Profile L = 6000 | | | X | | | Mill finish | 6.00 | PMV9813G60 | |
| | | | | | | | | Euras C0 | | PMV9813N60 | |
|  | 9814 | Brush Profile L = 5000 | | | | | X | Mill finish | 5.00 | PMV9814G50 | |
| | | | | | | | | Euras C0 | | PMV9814N50 | |
|  | 9815 | Upper Wing Holder Profile L = 5000 | | | | | X | Mill finish | 5.00 | PMV9815G50 | |
| | | | | | | | | Euras C0 | | PMV9815N50 | |
|  | 9816 | Additional Bottom Rail Profile L = 5000 | X | X | | | X | Mill finish | 5.00 | PMV9816G50 | |
| | | | | | | | | Euras C0 | | PMV9816N50 | |
|  | 9817 | Vertical Closing Frame Holder L = 4800 | | | | | | Euras C0 | 4.80 | PMV9817N48 | |
| | | Vertical Closing Frame Holder L = 4900 | | | | | | Mill finish | | 4.90 | |
|  | 9818 | Wing Bottom Profile For Guide L = 5000 | | X | | | | Mill finish | 5.00 | PMV9818G50 | |
| | | | | | | | | Euras C0 | | PMV9818N50 | |
|  | 9819 | Cover Profile L = 6000 | | | | | X | Mill finish | 6.00 | PMV9819G60 | |
| | | | | | | | | Euras C0 | | PMV9819N60 | |
|  | 9820 | Squared Glassbead L = 5000 | | | | | X | Mill finish | 5.00 | PMV9820G50 | |
| | | | | | | | | Euras C0 | | PMV9820N50 | |
|  | 9821 | Vertical Wing Post Profile L = 4800 | X | X | X | X | | Mill finish | 4.80 | PMV9821G48 | |
| | | | | | | | | Euras C0 | | PMV9821N48 | |
|  | 9822 | Vertical Wing Post Profile L = 6200 | X | X | X | X | | Mill finish | 6.20 | PMV9822G62 | |
| | | | | | | | | Euras C0 | | PMV9822N62 | |
|  | 9823 | Commercial L Profile 20x25x2 L = 6000 | | | | | X | Mill finish | 6.00 | PMV9823G60 | |
| | | | | | | | | Euras C0 | | PMV9823N60 | |
|  | 9824 | Thershold Floor Guide L = 6200 | | | | | X | Euras C0 | 6.20 | PMV9824N62 | |
|  | 9825 | Thershold Floor Guide L = 6200 | | | | | X | Euras C0 | 6.20 | PMV9825N62 | |

Ditec ALU48





Profiles, accessories and seals for making wings and panels

| Aluminium profiles for framed wings | | | | | | | | | | | | |
|---|--|-------------|------|-----------|-------------|-------------------|--------------------|----------------------|-------------------|-----|--|--|
| Drawing no. | Description | Fixed panel | Wing | Fanlights | Fixed walls | Perimeter profile | Finish | Supply quantity in m | Code | Rod | | |
| | | | | | | | | | | | | |
|  | 9826 Threshold Floor Guide L = 6200 | | | | | X | Euras C0 | 6.20 | PMV9826N62 | | | |
|  | 9834 Upper Wing Break-Out Holder Profile L = 5000 | | X | | | | Mill finish | 5.00 | PMV9834G50 | | | |
| | | | | | | | Euras C0 | | PMV9834N50 | | | |
|  | 9835 Vertical Post Wing Break-Out Profile L = 4900 | | X | | | | Mill finish | 4.90 | PMV9835G49 | | | |
| | | | | | | | Euras C0 | | PMV9835N49 | | | |
|  | 9836 Break-Out Screen Cover Profile L = 5000 | X | X | | | | Mill finish | 5.00 | PMV9836G50 | | | |
| | | | | | | | Euras C0 | | PMV9836N50 | | | |
|  | 9837 Break-Out Fix Frame Profile L = 4800 | X | | | | | Mill finish | 4.80 | PMV9837G48 | | | |
| | | | | | | | Euras C0 | | PMV9837N48 | | | |
|  | 9838 Threshold Break-Out Floor Guide L = 5000 | | | | | X | Euras C0 | 5.00 | PMV9838N50 | | | |
|  | 9840 Threshold Break-Out Floor Guide L = 5000 | | | | | X | Euras C0 | 5.00 | PMV9840N50 | | | |
|  | 9841 Brush Profile For Break-Out L = 6000 Brush Profile For Break-Out L = 5900 | | | | | X | Mill finish | 6,00 | PMV9841G60 | | | |
| | | | | | | | Euras C0 | 5,90 | PMV9841N59 | | | |
|  | 9842 Brush Profile For Telescopic L = 4000 | | | | | X | Mill finish | 4.00 | PMV9842G40 | | | |
| | | | | | | | Euras C0 | | PMV9842N40 | | | |
|  | 9843 Vertical Closing Frame Holder for telescopic L = 4800 | | | | | X | Mill finish | 4.80 | PMV9843G48 | | | |
| | | | | | | | Euras C0 | | PMV9843N48 | | | |
|  | 9844 Brush Holder Profile For Break-Out L = 5000 | | | | | X | Mill finish | 5.00 | PMV9844G50 | | | |
| | | | | | | | Euras C0 | | PMV9844N50 | | | |

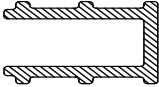




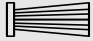

Ditec ALU48

Profiles, accessories and seals for making wings and panels

Aluminium profiles for framed wings

| | Drawing no. | Description | Fixed panel | Wing | Fanlights | Fixed walls | Perimeter profile | Finish | Supply quantity in m | Code | Rod |
|---|-------------|---|-------------|------|-----------|-------------|-------------------|--------------------|----------------------|-------------------|-----|
| | | | | | | | | | | | |
|  | 1600 | Thereshold Break-Out Additional Floor Guide L = 1500 | | | | | X | Euras C0 | 1.50 | PMV1600N15 | |
|  | 9848 | Thereshold Telescopic Additional Floor Guide L = 6300 | | | | | X | Euras C0 | 6.30 | PMV9848N63 | |
|  | 9850 | Flat Vertical Fastening and SBO Stop Support L = 6000 | | | | | X | Mill finish | 6.00 | PMV9850G60 | |
|  | 9851 | RBO-SBO Brush-Holder Frame Profile L = 6000 | | | | | X | Euras C0 | 6.00 | PMV9851N60 | |


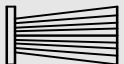
Framed wing seals

| | Drawing no. | Description | Fixed panel | Wing | Fanlights | Fixed walls | Perimeter profile | Supply quantity | Code | Rod/Roll |
|---|-------------|--|-------------|------|-----------|-------------|-------------------|-----------------|---------------------|----------|
| | | | | | | | | | | |
|  | 9827 | Sliding Guide Polymer Profile/bars L = 2300 | | X | | | | 1 pc | PMV9827V23 | |
|  | 9828 | Thereshold Floor Guide Polymer Profile/bars L = 5000 | | | | | X | 1 pc | PMV9828V50 | |
|  | 9829 | Wing Closing Rubber/rolls L = 50 m | | X | | | | 50 m | PMRGR982950 | |
|  | 9830 | Internal Glass Rubber/rolls L = 250 m | X | X | X | X | | 250 m | PMRGR9830250 | |
|  | 9831 | Internal/Esternal Glass Rubber/rolls L = 400 m | X | X | X | X | | 400 m | PMRGR9831400 | |
|  | 9832 | Brush 9 mm / rolls L = 100 m | X | | | | X | 100 m | PMRSP9832100 | |
|  | 9833 | Brush 11 mm / rolls L = 100 m | | X | | | | 100 m | PMRSP9833100 | |

Ditec ALU48

Profiles, accessories and seals for making wings and panels

Framed wing seals

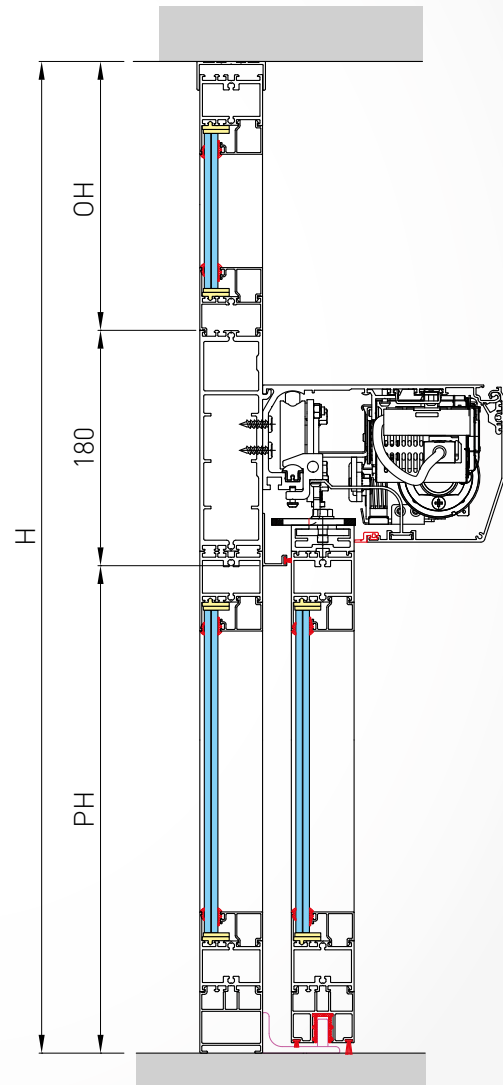
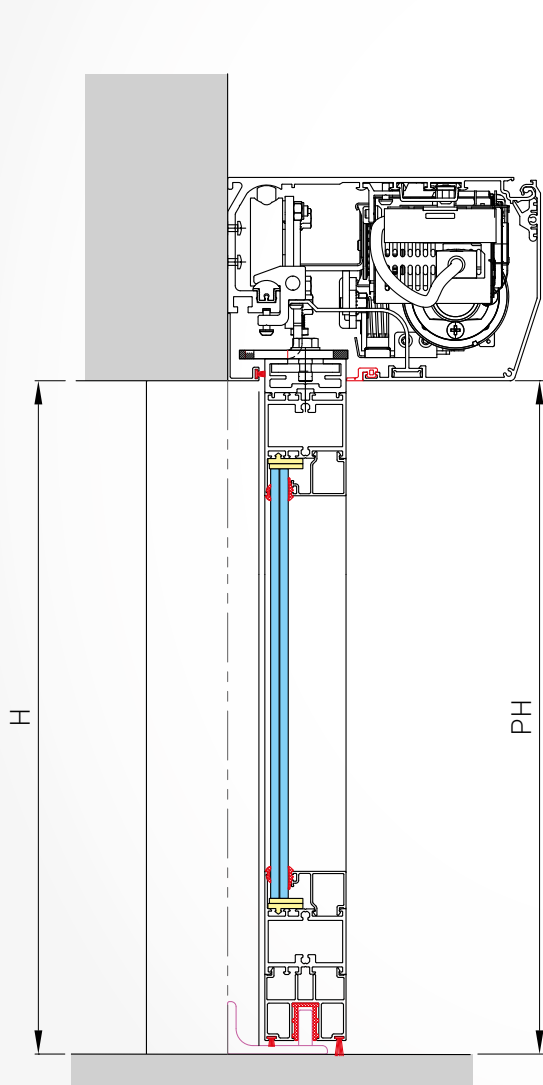
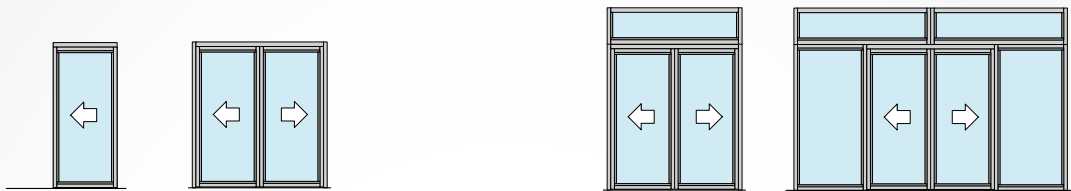
| | Drawing no. | Description | Fixed panel | Wing | Fanlights | Fixed walls | Perimeter profile | Supply quantity | Code | Rod/Roll |
|---|-------------|-------------------------------|-------------|------|-----------|-------------|-------------------|-----------------|---------------------|----------|
| | | | | | | | | | | |
|  | 9847 | Brush 20 mm / rolls L = 100 m | | | | | X | 100 m | PMRSP9847100 | |
|  | 9849 | Brush 10 mm / rolls L = 100 m | | | | | X | 100 m | PMRSP9849100 | |

Framed Wing accessories

| | Drawing no. | Description | Fixed panel | Wing | Fanlights | Fixed walls | Perimeter profile | Supply quantity in pcs | Code | |
|--|-------------|--------------------------------------|-------------|------|-----------|-------------|-------------------|------------------------|------------------|--|
| | - | ALU48 midrail kit | X | X | X | X | | 1 | PMKT48 | |
| | - | ALU48 glass thicknesses kit | X | X | X | X | | 1 | PMKSV48 | |
| | - | ALU48 floor guide kit | | | | | X | 1 | PMKP48 | |
| | - | ALU48 threshold floor guide kit | | | | | X | 1 | PMKPI48 | |
| | - | ALU48 perimetral frame kit | | | | | X | 1 | PMKC48 | |
| | - | ALU48 wing hook lock kit | | X | | | | 1 | PMKSER48 | |
| | - | Semi-cylinder for KSER48 | | X | | | | 1 | PMKSER481 | |
| | - | Cylinder for KSER48 | | X | | | | 1 | PMKSER482 | |
| | - | Mobile Wing kit | | X | | | | 1 | PMKAM48 | |
| | - | ALU48 Break-Out mobile wing kit | | X | | | | 1 | PMKASM48N | |
| | - | ALU48 Break-Out lateral fix wing kit | X | | | | | 1 | PMKASF48 | |
| | - | ALU48 Break-Out lateral fix wing kit | X | | | | | 1 | PMKASF | |
| | - | ALU48 Beam kit | | | | | X | 1 | PMKB48 | |
| | - | ALU48 lateral fix wing kit | X | | | X | | 1 | PMKAF48 | |
| | - | ALU48 overlight kit | | | X | | | 1 | PMKS48 | |

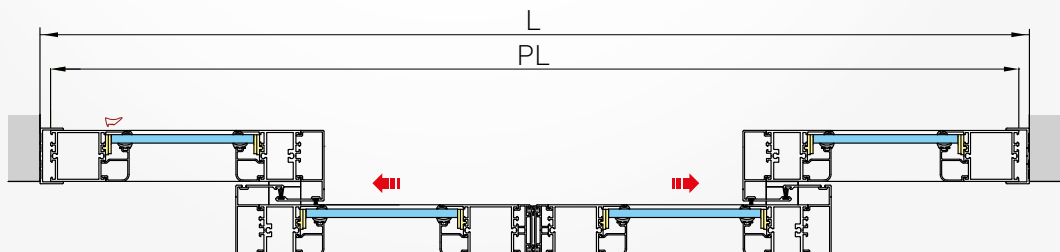
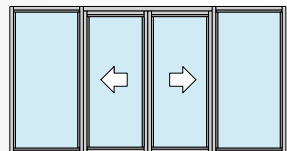
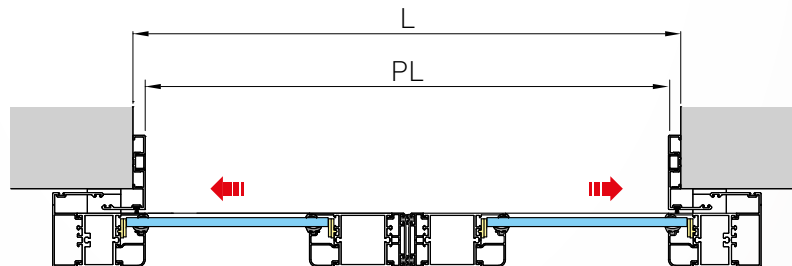
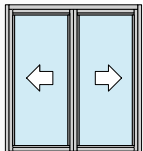
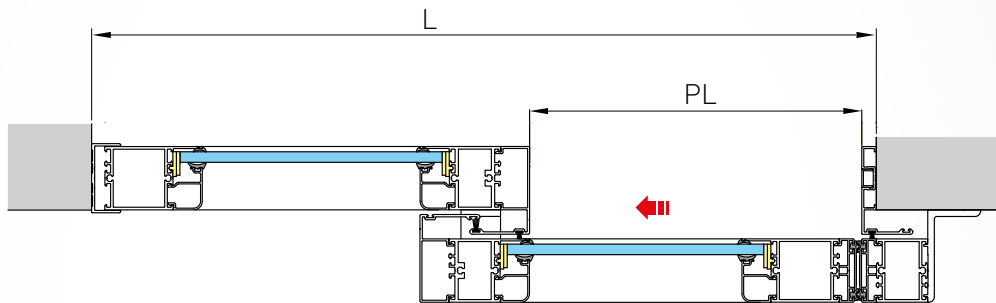
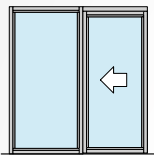
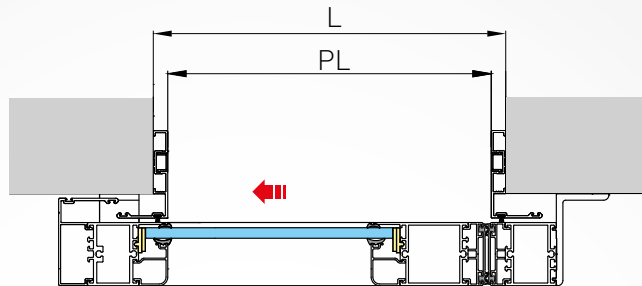
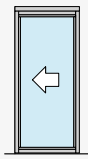
Ditec ALU48

Examples of cross section types



Ditec ALU48

Examples of cross section types



A “typical” sliding door installation, either normal or telescopic, consists of the following:

| | |
|---------------------------------|---|
| A BASIC AUTOMATION | pcs 1 |
| B FRONT COVER | pcs 1 |
| C WING CONNECTION SYSTEM | pcs 1 or single sliding doors pcs 2 for double sliding doors |
| D SAFETY ACCESSORIES | |
| - Wing stop device | pcs 1 on request |
| - Battery-driven device | pcs 1 on request |
| - Dual technology safety sensor | pcs 2 on request |
| - Side technology safety sensor | pcs 1 or 2 on request |
| E CONTROL ACCESSORIES | pcs 1 for one-way doors pcs 2 for two-way doors |
| F SETUP SYSTEMS | pcs 1 |

KEY

A BASIC AUTOMATION

Several models available, according to:

- 1 - The weight of the wing/wings
- 2 - Duty class required (light/heavy/very heavy)
- 3 - Type of entrance (single wing/double wings)

B FRONT COVER

The following finishes are available:

- 1 - “Mill finish” aluminium
- 2 - “EURAS C0 silver anodised” aluminium

C WING CONNECTION SYSTEM

Several versions are available according to the type of wing to be installed, which can be FRAMED or TEMPERED GLASS.

The system consists of brackets and aluminium profiles suitable for all the types of wings installed, to be used according to the following diagram

- | | |
|----------|--|
| A | tempered glass wings |
| | 1 - A pair of brackets (AC) for each wing |
| | 2 - A glazing retention profile (AC1356, AC4255 or AC4870) for each wing; the finishes available are “Mill finish” or “EURAS C0 silver anodised” and the available length is 2000 mm |
| B | Framed wings with commercial profiles or generic wings (such as wooden wings) |
| | 1 - A pair of brackets (AL) for each wing |
| | 2 - An adapter profile (V2995) for each wing; the finishes available are “Mill finish” or “EURAS C0 silver anodised” aluminium and the available length is 2000 mm |
| C | Framed wings with PAM and ALU series profiles (dedicated profiles) |
| | 1 - A pair of dedicated brackets for each wing |

Vademecum

Sliding Door / Typical Installation

A “typical” sliding door installation, either normal or telescopic, consists of the following:

KEY (continued)

D SAFETY ACCESSORIES

The accessories available must be selected according to the installation safety requirements:

- 1 - Wing stop device complete with manual release system
- 2 - Battery-driven anti-panic opening device
- 3 - Dual technology safety sensor (active infrared and microwaves) and dual function to ensure safe operation of the sliding doors
- 4 - Side technology safety sensor (active infrared) to ensure safe operation of the sliding doors

E CONTROL ACCESSORIES

According to the installation control requirements, the following controls are available:

- a - Microwave sensors
- b - Active infrared sensors
- c - Passive infrared sensors
- d - Electrically operated pushbuttons
- e - Pneumatically operated pushbuttons

These accessories must be selected according to the type of installation (SHOP, SUPERMARKET, AIRPORT, etc.) and are calculated in the correct quantities according to type of door use (ONE-WAY/TWO-WAY).

F SET-UP SYSTEMS

The following function-selectors are available according to the installation set-up requirements:

- a - Function-selector with key operated control
- b - Function-selector with knob operated control
- c - Digital function-selector

Vademecum

Swing Door / Typical Installation

A "typical" swing door installation consists of the following:

| | |
|---|---|
| A BASIC AUTOMATION | pcs 1 for single swing doors pcs 2 for double swing doors |
| B MOVEMENT ARM | pcs 1 for single swing doors pcs 2 for double swing doors |
| C SAFETY ACCESSORIES - Battery-driven anti-panic device - Active or laser infrared sensors | pcs 1 if required and not supplied as standard pcs 1/2 for single swing doors which need to be protected on one or on both sides pcs 2/4 for double swing doors |
| D CONTROL ACCESSORIES | pcs 1 for one-way doors pcs 2 for two-way doors |
| E SETUP SYSTEMS | pcs 1 |

KEY

- A BASIC AUTOMATION**
Several models available, according to:
1 - The weight of the wing/wings
2 - Duty class required (light/heavy/very heavy)
3 - Customer's or environmental requirements (doors for the disabled, smokeproof doors, windy conditions, etc.)
- B MOVEMENT ARM**
The models available, according to the wing opening side, are listed below:
1 - ARTICULATED ARM for "push" to open doors
2 - SLIDING ARM for "pull" to open doors
3 - SLIDING ARM with emergency breakout opening
4 - THREE LEVER ARTICULATED ARM for "pull" to open doors in special circumstances
- C SAFETY ACCESSORIES**
The accessories available must be selected according to the installation safety requirements:
1 - Battery-driven anti-panic opening device, supplied as standard on some models
2 - Active or laser infrared sensors to be installed on the wing (on one or both sides) to protect the door operating area
- D CONTROL ACCESSORIES**
According to the installation control requirements, the following controls are available:
a - Microwave sensors
b - Active infrared sensors
c - Passive infrared sensors
d - Electrically operated pushbuttons
e - Pneumatically operated pushbuttons
These accessories must be selected according to the type of installation (SHOP, SUPERMARKET, AIRPORT, etc.) and are calculated in the correct quantities according to type of door use (ONE-WAY/TWO-WAY).
- F SET-UP SYSTEMS**
According to the system set-up requirements, one of the following function-selectors can be selected:
a - Key operated function-selector
b - Knob operated function-selector
c - Digital function-selector

NOTES

Blank lined area for notes, consisting of 15 horizontal grey bars.

GENERAL TERMS AND CONDITIONS OF SALE

1. Introduction

1.1 These general terms of sale ("**Terms of Sale**") govern the relationship between Ditec SpA, with registered office in Milan, Via Vittor Pisani, 20, Tax Code and VAT number 00360610125, and the customer (respectively "**Ditec**" and the "**Customer**"). Unless otherwise agreed in writing between the parties, these Terms of Sale supersede and prevail over any prior agreement, proposal or agreement, both written and oral, between the parties, including, but not limited to, any terms and conditions of the Customer.

2. Purchase Orders

2.1 The purchase order ("**Order/s**") submitted by the Customer to Ditec has the nature of irrevocable contract proposal with binding effect on the customer until the date indicated on the Order confirmation (sent by Ditec in writing by letter, fax or e-mail) and indicating the expected date of consignment.

2.2 Unless otherwise agreed, the estimate submitted by Ditec to the Customer will be valid for 30 (thirty) days from their issue ("**Estimate/s**"). The acceptance of the Estimate by the Customer, received by Ditec within the said period, involves the issuance of an order having the same nature referred to in point 2.1. The Order issued on the basis of an Estimate will constitute full acceptance of the Estimate in all its terms and conditions and any reduction or increase of the supply, being subject matter of the Estimate, will be valid if expressly indicated in the Order.

2.3 The signing of the Order by the Customer constitutes an express, full and unconditional agreement to these Terms of Sale, without prejudice to any different agreement executed in writing between Ditec and the Customer.

2.4 Any advance payments made by the Customer shall be deemed paid as a deposit, guaranteeing all obligations of the Customer under these Terms of Sale; the acceptance of the said deposit by Ditec shall not be regarded as acceptance of the order.

2.5 The Order is binding on Ditec exclusively upon express acceptance by this latter of the content of the Order. Ditec's acceptance shall be sent to the Customer within the period of effectiveness of the proposal referred to in point 2.1 above and by means of a written confirmation of the Order, sent by Ditec by letter, fax or e-mail.

2.6 In the event of non-acceptance in writing, the execution of orders by Ditec, within the period of effectiveness of the proposal referred to in point 2.1 above, shall be regarded, in any case, as tacit acceptance of Orders received.

3. Prices

3.1 The sales prices of the products are those resulting from the official price list of Ditec in force at the date of the submission of the Order ("**Price List**") and they are net of value added tax and of any additional tax. The Price List shall be the reference basis for any commercial negotiation. The total amount of the Order calculated on the basis of the Price List determines the value of the Price List, to be taken as reference basis for the application of any discount.

3.2 In the case of an Order issued on the basis of an Estimate, the price of supply will be equal to the price indicated in the Estimate.

3.3 Any discount on the price of supply may be granted by Ditec to the Customer on the basis of arrangements separately agreed with the Customer.

4. Delivery

4.1 Unless otherwise agreed between Ditec and the Customer, the delivery of the products, subject to the Order, is made EX WORKS at warehouses indicated by Ditec on the confirmation Order ("**Delivery Terms**"). The products are made available to the customer in the standard packaging provided by Ditec. The property of the products ordered and the risk of loss or damage to them shall pass to the Customer at the time of the receipt at the place of delivery specified in the Order and in accordance with the agreed Delivery Time.

4.2 The deadline for the collection of products will be indicated by Ditec in the acceptance of the Order.

4.3 If the Customer fails to collect the goods at the date indicated by Ditec in the acceptance of the Order, it will be liable vis-à-vis Ditec for any loss resulting from such failure or refusal. In case of failure to collect the products persisted for more than seven (7) days starting from the scheduled day for the collection, Ditec reserves the right to cancel, in whole or in part, the Order, or the right to terminate the entire supply pursuant to Article 1456 of the Civil Code and to ask, in both cases, compensation for damage.

4.4 At the time of the taking over and collection of the products, the Customer, in the exercise of its ordinary business activity, but without undue delay, is required to check on the identity, quantity, integrity and appearance of products and to report to Ditec any apparent deviations or defects. Deviations or defects that were not immediately identified at the time of inspection shall be notified to Ditec at the time of their discovery and, anyway, within the legal deadlines.

5. Testing

5.1 The testing of the products of the Order shall be carried out by the Customer at its own costs and responsibility. With reference to the type of product purchased, the testing carried out by the Customer shall be as specified in the technical drawings or in the testing specifications drafted and provided by Ditec.

6. Warranty

6.1 Ditec provides the legal product warranty.

6.2 In the case of proven material defects of products of an Order, and only to the extent that they are covered by the legal warranty and in accordance with the terms and conditions set forth therein, Ditec will, as appropriate and solely for the benefit of the Customer, replace the defective product or refund the price paid for the same.

6.3 The claim under warranty will be accepted exclusively upon occurrence of all the conditions set out below:

- the presence of the defect is verified and confirmed in writing by Ditec;

- the Customer and/or end user must not have used the product or performed and/or attempted to perform any corrective action of the defect without the express written approval of Ditec;
- the Customer and/or end user must not have - with, also ordinary, negligence - stored and/or transported the product and must have correctly applied all provisions provided by the accompanying documents, including security documents, technical documents etc., made available to them;
- the defect is not due to the Customer and/or the end user's behaviour;
- the product has been duly paid within the time specified in the invoice.

7. Returns and replacements

7.1 Ditec does not accept returns and/or replacements of the purchased products, unless differently agreed in writing with the Customer. It is understood that in the event of a return or replacement, shipment costs will be entirely charged to the Customer and the product shall be returned in optimum condition and in its standard packages supplied by Ditec at the time of collection, Ditec reserving the right to charge, anyway, to the Customer the price of the products that are damaged. The quantity of the products returned and/or replaced shall be analytically shown in the related shipment document together with the relevant tax document.

8. Invoicing and payment

8.1 Ditec will issue the invoice concerning a certain Order according to the trade agreements with the Customer and as indicated in the acceptance of the Order. All invoices will refer to the related Order and will include the information required by law.

8.2 The Customer shall pay the purchase price of the products subject to the Order within the deadline provided by the invoice, by bank transfer to the bank account details communicated by Ditec. The Customer may not withhold any part of the price as offset, counterclaim or for any other reason.

8.3 The Customer being in delay in payments will be considered in breach and will be charged with interest in accordance with Legislative Decree n. 231/2002, without the need for formal notice, starting from the date the invoice is due until actual payment, without prejudice to the right of Ditec to recover expenses incurred and to demand the compensation for damage.

8.4 In the event of non-payment persisted by the Customer for more than 7 (seven) days after the expiration of the deadline specified in Ditec's invoice, the latter reserves the right to terminate the contract under the Order pursuant to Article 1456 of the Civil Code, without prejudice to compensation for any damage.

9. Drawings and technical documentation

9.1 Drawings and technical specifications of the products subject to the Order are of the exclusive property of Ditec and cannot be reproduced, copied or distributed for any reason. Drawings and technical documents relating to the products or their manufacture, installation or technical verification will not be used - without Ditec's written consent - for purposes other than the ones for which they have been supplied. Without Ditec's consent, the same drawings and documents cannot be otherwise used or copied, reproduced, sent or communicated to third parties or used for the manufacture, design or any other unauthorized purpose, unless expressly accepted by Ditec.

9.2 Ditec reserves the right to make at any time any necessary changes to the drawings and technical documents supplied along with the products.

9.3 Usage limits refer to use with maximum load under standard conditions. Recommended load is approximately 2/3 of maximum load.

10. Intellectual and/or industrial property rights

10.1 The industrial and/or intellectual property rights such as trademarks, logos, patents, signs, whether registered or not, affixed to the products and to all their explanation documents, manuals, technical specifications and other information supplied by Ditec along with the products or in relation to them, shall remain of the exclusive property of Ditec and/or of the relevant owners.

10.2 The Customer will be obliged to indemnify Ditec in respect of any damage, claim, cost and expenses that it may suffer and/or incur as a result of any breach and/or alleged breach by the Customer of patents, trademarks, logos, copyrights, industrial designs, registered and unregistered, and/or any other intellectual and/or industrial property rights.

10.3 The Bluetooth® word mark and logos are registered trademarks owned by Bluetooth SIG, Inc. and any use of such marks by Ditec is under license.

11. Liability

11.1 The Customer undertakes to use the products purchased from Ditec in accordance with their intended use and to comply with all the rules and procedures of use provided by the technical documentation supplied by Ditec. Ditec will not in any way be liable for defaults, direct and/or indirect damages and losses suffered by the Customer, including its employees, collaborators and/or successors in title, due to injuries, death and/or property damage arising from the use of the products. Under no circumstances Ditec will be liable for damages caused to the Customer itself or to others by negligence, carelessness or inexperience of the Customer after the delivery of the products.

11.2 To this purpose, the Customer declares and agrees to guarantee, indemnify and hold harmless Ditec (including parent companies, subsidiaries, related companies, branches and affiliated companies, their successors in title and assignee), in respect of any claims, costs, lawsuits, proceedings, action, liability, loss, expense, order, decree, rights and legal fees, court costs, including damages of any kind deriving, connected or arising from any actual or alleged personal injury (including death), damage to property or loss of any kind that are assumed to be caused by the use incorrect and/or non-compliant of the products.

12. Force Majeure

12.1 Ditec will not be deemed in default and/or liable vis-a-vis the Customer if it does not perform or delay the delivery of the products as a result of an event beyond its reasonable control, including, but not limited to, strikes, conflicts between employers and employees, fires, floods, natural events, wars, insurrections, vandalisms, sabotage, invasions, insurrections, national emergencies, piracy, hijacking,

acts of terrorism, embargoes or restrictions, extreme weather or traffic conditions, temporary closures of roads, laws, regulations, orders or other government's acts or government agencies' acts.

13. Organizational Model pursuant to Italian Legislative Decree no. N. 231/2001 and Ditec's code of conduct

13.1 The Customer declares to have read and to know the content and obligations referred to in the organizational and management model pursuant to Italian Legislative Decree no. n. 231/2001 and in the code of conduct adopted by Ditec and undertakes, also on behalf of its employees and/or collaborators and its affiliated companies, to observe and to comply with – and to cause compliance with – the rules, the procedures and the principles contained in the mentioned documents, as well as to the law provisions relating to anti-bribery, sanctions and export controls.

A copy of the Code of Conduct can be requested at any time to our sales representatives or to our Customer Service.

The Customer also declares and guarantees that neither the Customer itself nor its affiliated companies nor any of its employees/collaborators/directors, is or is owned/controlled by any person subject to the sanctions or export controls of United Nations, United States of America and/or European Union or any other governmental authority and that, in any case, it will not be engaged in any commercial relationship involving these entities and will promptly inform Ditec of any breach of the foregoing, as soon as it becomes aware of it.

13.2 In case of non-compliance by the Customer with the law or with Ditec's Organizational Model and Code of Conduct and, in general, with the provision under point 13.1, Ditec will be entitled to suspend the execution of the contract and to terminate the contract under these Terms of Sale pursuant to article 1456 of the Civil Code, without any prejudice to the right to ask for compensation for damages arising from the breach.

14. Changes of the Terms of Sale

14.1 These Terms of Sale may be amended by Ditec also depending on any changes in applicable legislation. The Terms of Sale, as amended, will become an integral part of the relationship between Ditec and the Customer as a result of the acceptance of them upon submission of the first Order following the amendment itself.

15. Duration

15.1 These Terms of Sale, without prejudice to what described in point 14.1 above, have an indefinite duration and shall be applied to all the Orders submitted by Customer.

16. Partial invalidity

16.1 The eventual invalidity or unenforceability of a single clause in these Terms of Sale shall not affect or invalidate any other provision provided herein and both parties undertake here and now to replace the term recognized as invalid or ineffective with another term which has, as far as possible, the same or similar effects.

17. Personal data protection

Pursuant to Article 13 of Legislative Decree no. 196/2003, Ditec, as data controller, informs the Customer that the personal data ("Data") collected simultaneously with the forwarding of the Orders will be processed for the purpose of the execution by Ditec of the activities necessary to the conclusion, management and execution of the Orders and, in general, for the purpose of the proper performance of the supply contract with the Customer, as well as for the purpose strictly connected and/or necessary to the satisfaction of the requests made from time to time by the Customer and for the fulfillment of the obligations provided by laws, regulations and European legislation, as well as provisions given by authorities legally empowered to do that or by vigilance and control's bodies.

With reference to the above purposes, the processing of Data will be carried out by manual and computerized instruments, in a way strictly linked to such purposes and for the time necessary to fulfill them, as well as, in any case, in a way able to ensure the security and confidentiality of Data through proper procedures that avoid the risk of loss, unauthorized access, improper use and dissemination of Data. In this regard it should be noted that the collection of the Data is required in order to fulfill the above purposes with the result that, in such circumstances, any refusal of provision of Data will make it impossible for Ditec itself to meet the demands or the choices of Customers.

For the offer of certain services and/or for the performance of certain activities, the processing of Data is carried out both by Ditec directly and by parties external to it, in their quality as data processors and/or data handlers, to whom the Data can be communicated to fulfill the purposes outlined above and in particular to companies belonging to the Group of Ditec (parent, subsidiary and related companies, even indirectly, pursuant to the applicable provisions).

In accordance with Article 7, Italian Legislative Decree no. 196/2003, the Customer may obtain from the data controller or from the data processor the confirmation of the existence or not of their personal Data and that such Data are made available to it in an intelligible form. The Customer can also request to know the origin of Data and the purposes on which the processing is based; to obtain the cancellation, the transformation into anonymous form or the blocking of the data processed infringing laws, as well as the update, the correction or, if there is interest, the integration of data; oppose, for legitimate reasons, the processing itself.

Any requests pursuant to Article 7, Italian Legislative Decree no. 196/2003 shall be addressed to the following address ditecspa@certimprese.it or sent by post to Ditec S.p.A., Via Vittor Pisani n. 20, 20124 Milan (Italy).

18. Applicable law and competent court

18.1 These Terms of Sale are subject to Italian law.

18.2 Any dispute that may arise between the parties in relation to these Terms of Sale related or in any way connected to the Orders submitted pursuant to them shall be settled exclusively by the Court of Milan.

Dítec

Ditec S.p.A.

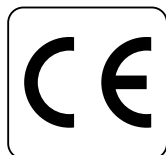
Largo U. Boccioni, 1
21040 Origgio (VA) • Italy

T. +39 02 963911

F. +39 02 9650314

M. info@ditecautomations.com

www.ditecautomations.com



Cert. n. 0957/8

When building the system, only use Ditec accessories and safety devices. Every Ditec automation features CE marking and is designed and built in compliance with the safety requirements of the Machinery Directive(2006/42/EC), of the Electromagnetic Compatibility Directive (2014/30/EU) and of the Low Voltage Directive (2014/35/EU) and of other Directives, laws, specific standards for special products and situations.

The Company reserves the right to make changes which may improve the products. For this reason, the technical details given are not binding.

Pictures were taken with the consent of those concerned or in public locations.

Further information can be found in the Technical Manuals available at the website:

www.ditecautomations.com