



ELEGANT



VERSATILE



SAFE

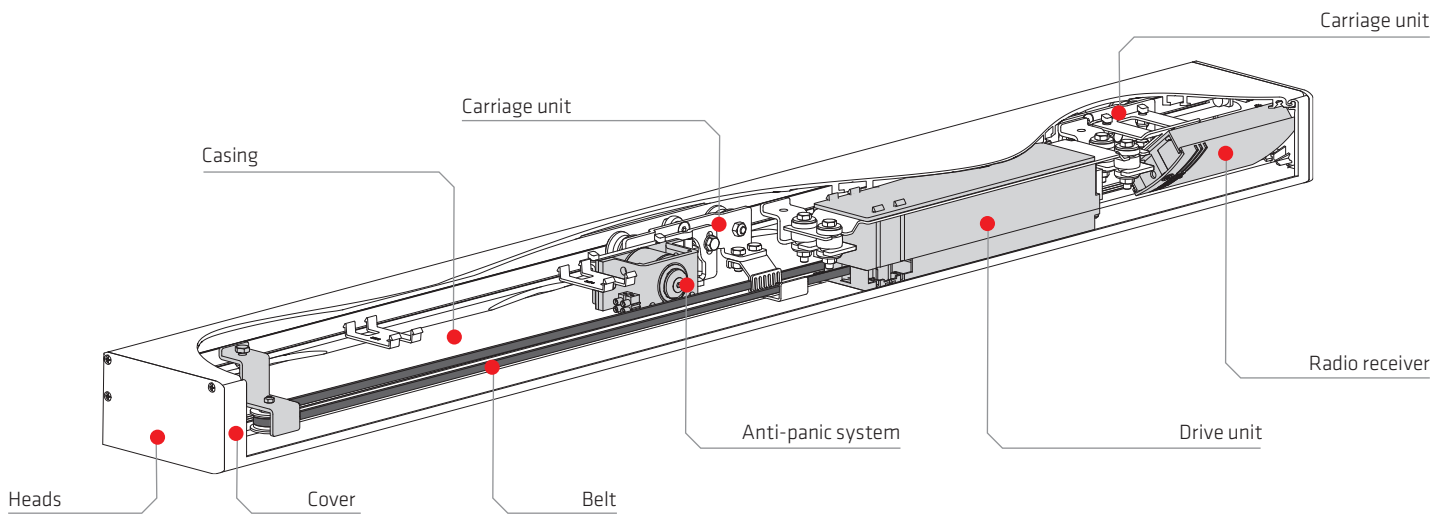
Automation
for sliding
doors

Ditec **CIVIK**

The beauty of technology

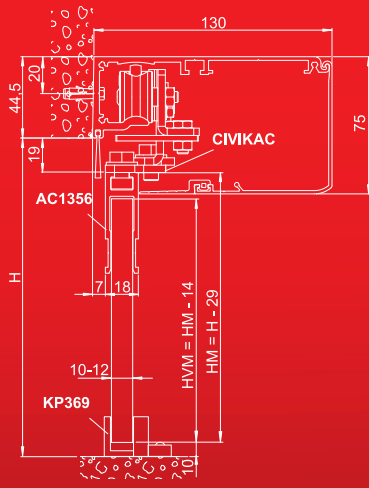
Quiet and light, but above all elegant: Ditec CIVIK brings together design, technology and practicality, combining a modern, compact design (just **75 mm high**) with top performance (**80 kg with two wings** for a **maximum opening width of 1610 mm**) guaranteeing safety and compliance with the standards (including safety sensor monitoring, as per EN 16005).

Ditec CIVIK is the ideal automation for **any type of door frame**, from the Ditec PAM series **framed wing** to the generic one, but it really comes into its own with **glass models**, perfect for residential and commercial contexts like offices, studios and restaurants.

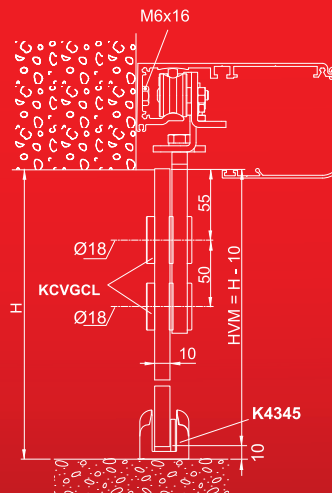


Installation example

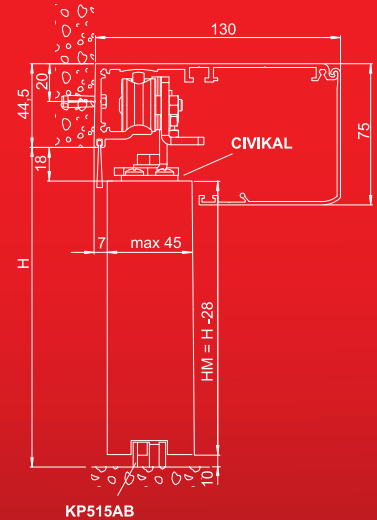
CIVIK WITH GLASS WING AND AC1356 CONNECTION



CIVIK WITH GLASS WING AND TECHNICAL CONNECTION



CIVIK WITH GENERIC FRAME





ELEGANT

- ▶ Sleek design
- ▶ Compact thanks to its 75 mm-high cover
- ▶ Brushed aluminium cover



VERSATILE

- ▶ Automation system suitable for generic frames, glass and wood wings
- ▶ PUSH&GO and PULL&CLOSE features
- ▶ Activation by sensors, pushbuttons or radio command (Ditec ZEN remote control)



SAFE

- ▶ Monitoring safety sensors in opening and closing
- ▶ Internal LED indicating diagnostics and alarms
- ▶ LOW ENERGY mode with wide range of wing weight adjustment

SPECIFIC ACCESSORIES



- ▶ **PID24**
Proximity sensor



- ▶ **OCL**
Radio receiver kit complete with wiring and transmitter



- ▶ **CIVIKLA**
Anti-panic system complete with brackets



- ▶ **COM501HCV**
Mechanical function-selector with handle operation



- ▶ **CIVIK3P**
Built-in sensor for manual - automatic - door-open operation



- ▶ **PFP1**
Rectangular elbow pushbutton



- ▶ **PFP2**
Stainless steel rectangular elbow pushbutton

TECHNICAL SPECIFICATIONS

CIVIK	
Description	electromechanical actuator for interior sliding doors
Stroke control	encoder
Maximum capacity	60 kg (1 wing) 80 kg (2 wings)
Power supply	230 Vac / 50-60 Hz
Power input	0.2 A
Torque / Thrust	30 N
Opening speed	0.4 m/s (1 wing) 0.8 m/s (2 wings)
Closing speed	0.2 m/s (1 wing) 0.4 m/s (2 wings)
Maximum opening width	1610 mm
Anti-panic system	CIVIK LA
Operating temperature	-20°C / +55°C
Protection rating	IP 20
Product dimensions (H x D x L)	75 x 130 x L mm
Control panel	EL51 (built-in)

MAIN FUNCTIONS OF THE SYSTEM

EL51	
Description	control panel for 1 motor 24 Vdc
Mains power supply	230 Vac / 50-60 Hz
Number of motors	1
Motor power supply	24 Vdc / 1.8 A
Accessories power supply	24 Vdc / 0.36 A
Electrolock	24 Vdc / 0.5 A
Kinematic management with Encoder	■
Obstacle detection (causes stop when opening or reverse when closing)	■
Push opening (PUSH&GO)	■
Pull closing (PULL&CLOSE)	■
Open control	■
Close control	■
Timer-controlled automatic closing	0 - 30 s
Monitored emergency reverse	■
Monitored opening safety function (speed limiting)	■
LOW ENERGY mode	■

