

Ditec TOP

Automation system for garage doors

Ditec TOP is a next-generation automation system for garage doors that is powerful, fast, and quiet, produced with high-quality materials. The range includes two different 24 V DC motors for 600 and 1000 N that allow control of doors of up to 210 kg and over 17 m² surface area.



CERTIFIED



INTELLIGENT



SAFE

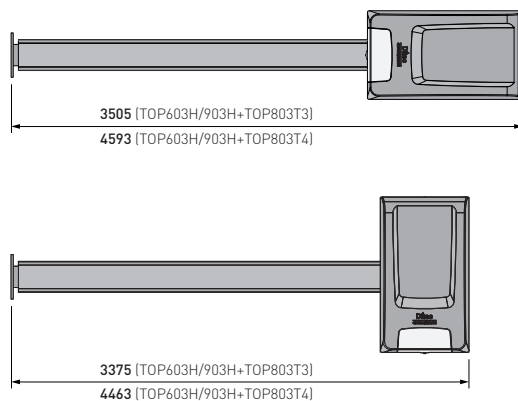
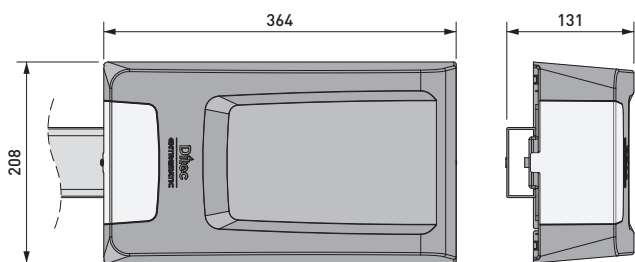
24V
ENCODER



Data sheet

EN

www.entrematic.com



Technical specifications

Description	Motor TOP603H	Motor TOP903H
Electromechanical actuator	for sectional overhead doors up to 116 kg	for sectional overhead doors up to 210 kg
Transmission system	with belt	with belt
Stroke control	encoder	encoder
Max. leaf weight	9,5 m ²	17,3 m ²
Duty class	3 - frequent	3 - frequent
Intermittent operation	S2 = 5 min - S3 = 25%	S2 = 5 min - S3 = 25%
Power supply	230 V AC / 50/60 Hz	230 V AC / 50/60 Hz
Motor power supply	24 V DC	24 V DC
Torque/Thrust	600 N	1000 N
Power input	140 W	170 W
Opening speed	0.21 m/s	0.21 m/s
Closing speed	0.14 m/s	0.14 m/s
Operating temperature	-20°C / +50°C	-20°C / +50°C
Protection rating	IP 20	IP 20
Noise level	≤ 69 dB (A)	≤ 69 dB (A)
Standard radio frequency	433.92 MHz	433.92 MHz

Description	Guide TOP803T3	Guide TOP803T4
Maximum stroke of carriage	2890 +/- 25 mm	3978 +/- 25 mm
Maximum door height	2450 mm	3500 mm

Main functions of the system

Description	TOP603H	TOP903H
Control panel	integrated	integrated
Integrated courtesy light and supplementary courtesy light (in parallel)	■	■
Flashing light	230 V AC / 50-60 Hz *	230 V AC / 50-60 Hz *
Electro - mechanical lock	■ *	■
ODS - Obstruction Detection System	■	■
Self-learning procedure	■	■
Cycle counter for scheduled maintenance	■	■
Time setting	■	■
Open control	■	■
Partial-opening control (configurable)	■	■
Timer-controlled automatic closing	■	■
Inching control	■	■
Emergency stop and emergency reverse	■	■
Soft start/Soft stop	■	■
Automatic force adjustment during movement	■	■
Safety test function	■	■

* with TOP905AC

FULL COMPLIANCE WITH EU DIRECTIVES AND STANDARDS



- 2014/30/EU - EMCD - Electromagnetic Compatibility Directive
- 2014/53/EU - RED - Radio Equipment Directive
- 2006/42/CE - Machines Directive - (Annex II-B; Annex II-A; Annex I-Chapter 1)
- **Harmonised EU Standards:** EN ISO 13849-1, EN 55014-1, EN 61000-3-2, EN 61000-3-3, EN 60335-1
- **Other standards/technical specifications applied:** EN 60335-2-95, EN 60335-2-103, EN 55014-2, EN 12453, EN 50366