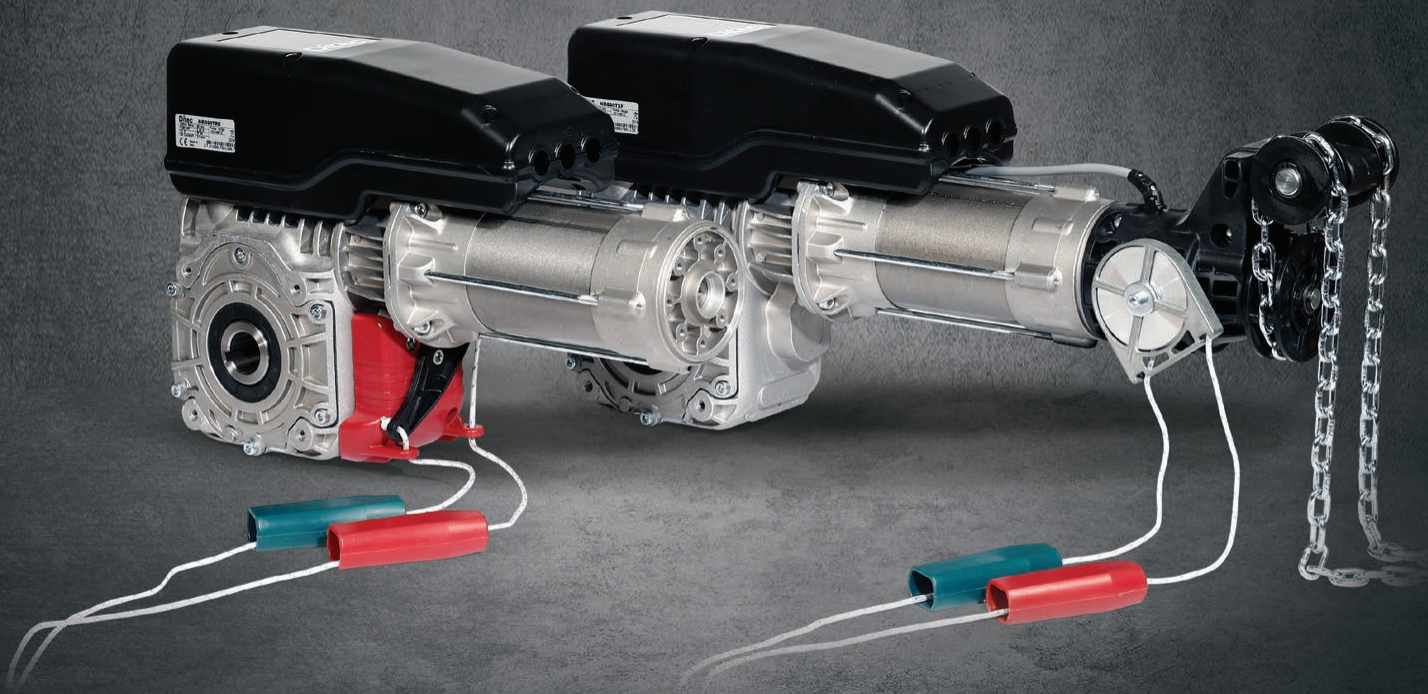


Ditec NRG

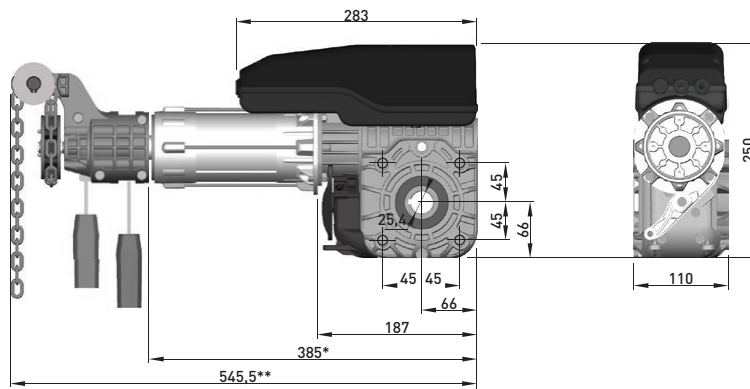
Automation for counterweighted sectional doors up to 140 Nm up to 650 Kg

Ditec NGR is a range of three phase non-reversible automation systems for large industrial and commercial sectional doors weighing up to 650 Kg. The automation system may be installed with drive transmitted directly onto the shaft of the door or via a transmission chain.



Product specifications

EN



* Ditec NRG90TRE - ** Ditec NRG90TXE, NRG90TXF and NRG140TXE

Technical specifications

Description	NRG90TXF	NRG90TXE	NRG90TRE	NRG140TXE
Electromechanical actuator	for sectional doors	for sectional doors	for sectional doors	for sectional doors
Stroke control	mechanical cam limit switch	absolute encoder	absolute encoder	absolute encoder
Torque / Thrust	90 Nm	90 Nm	90 Nm	140 Nm
Maximum door weight	400 Kg	400 Kg	400 Kg	650 Kg
Drive shaft rpm	21 RPM	21 RPM	21 RPM	18 RPM
Hollow shaft (Ø)	25.4 mm	25.4 mm	25.4 mm	25.4 mm
Holding torque	450 Nm	450 Nm	450 Nm	500 Nm
Power supply	400 V AC / 50 Hz	400 V AC / 50 Hz	400 V AC / 50 Hz	400 V AC / 50 Hz
Power input	2,2 A	2,2 A	2,2 A	2,3 A
Maximum power	800 W	800 W	800 W	870 W
Max.cycles/hour	20	20	20	20
Max rotations controlled by limit switches	18	18	18	18
Release system for manual opening	manual emergency operation with chain	manual emergency operation with chain	quick release	manual emergency operation with chain
Operating temperature	-20 °C / +60 °C	-20 °C / +60 °C	-20 °C / +60 °C	-20 °C / +60 °C
Protection level	IP 54	IP 54	IP 54	IP 54
Control panel	EL400 EL500E (after rewiring)	EL500E EL400 (after rewiring)	EL500E EL400 (after rewiring)	EL500E EL400 (after rewiring)

Main functions of the system

Description	EL400	EL500E
Radio frequency	433.92 MHz with NRGZENX1	433.92 MHz with NRGZENX1
Mains power supply	3 x 400 V AC - 50/60 Hz / 3 x 230 V AC - 50/60 Hz	3 x 400 V AC - 50/60 Hz / 3 x 230 V AC 50/60 Hz
Motor power supply	3 x 400 V AC - P max 2.2 kW	3 x 400 V AC - P max 4 kW / 3 x 230 V AC - P max 2.3 kW
Accessories power supply	24 V DC / 0.100 A	24 V DC / 0.250 A
Limit switch provision	Prewired for mechanical limit switches. Compatible with encoder	Prewired for encoder. Compatible with mechanical limit switches
Opening control	■	■
Partial opening control	■	configurable
Close control	■	■
Stop control	■	■
Step-by-step control	configurable	configurable
Hold-to-run control	configurable	configurable
Automatic closing contact management	configurable	configurable
8.2 KΩ-resistance safety edge	■ shared with optical safety edge	■
Optical safety edge	■ shared with 8.2kΩ resistance	■
Flashing light	230 V AC	230 V AC shared with courtesy light or dedicated with NRGFTL
Courtesy light	■ with NRGFTL	■ shared with flashing light or dedicated with NRGFTL
Gate-open warning light (ON/OFF)	■ with NRGFTL	configurable
Configuration of programmable functions	Navigation buttons	Display and navigation buttons
Operation time	■	■
Travel limit position configuration from electrical panel	■	■
Emergency stop	■	■
Safe closing (inversion)	■	■
Safety Test Facility (for automatic safety devices)	■	■
ODS - Obstacle Detection System	■	■
Magnetic loop detector	■ with LAB9 and CONT1	■ with LAB9 and CONT1
Operating temperature	-10° C + 50° C	-10° C + 50° C
Control panel protection level	IP 54	IP 54
Control panel dimension	210 x 305 x 120	210 x 305 x 120

FULL COMPLIANCE WITH EU DIRECTIVES AND STANDARDS



- 2014/30/EU - EMCD - Electromagnetic Compatibility Directive
- 2006/42/CE - Machinery Directive - (Annex II-B; Annex II-A; Annex I-Chapter 1)
- 2014/35/EU - LVD - Low Voltage Directive
- Harmonised EU Standards: EN 60335-1; EN61000-6-1; EN61000-6-2; EN61000-6-3 + A1; EN61000-6-4; EN61000 4-3 + A1 + A2
- TÜV certificate conformity for EL500E control unit according to EN 12453 and EN ISO 13849-1