

Ditec DAB305

Automation for swing doors. The solution to meet all your needs

- Elegantly stylish and also extraordinarily practical, **with a total height of just 70 mm**
- Total control, with a wide choice of operating modes, including PUSH&GO, LOW ENERGY, Servo-Assistance and DOUBLE ACTION (allowing for manual door opening in both directions)
- Total safety, with **INVERSE mode**: ensuring spring-action fail-safe opening in case of loss of power for escape routes or smoke evacuation
- **Usable for fire doors** in accordance with EN 1634 - 1 and DIN 18623 - 4
- Class-beating performance even with heavy doors: maximum load **up to 450 kg** for 950 mm wide door wings



Product specifications

EN

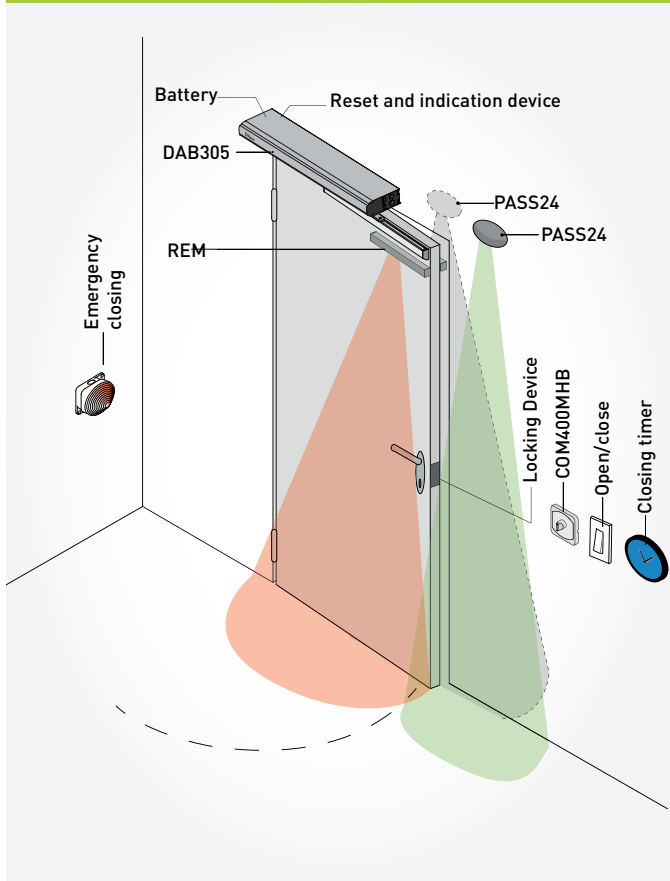
Technical specifications

	DAB305
Automation for swing doors	spring and motor opening and closing
Product dimensions (HxPxL)	70x175x840 mm
Automation weight	15 kg
Maximum capacity (see operation diagram)	450 kg - articulated movement arm 370 kg - sliding movement arm
Power supply	100-240 V DC +10/-15%, 50/60 Hz
Power consumption (max.)	300 W
Auxiliary power	700 mA - 24 Vcc
Electro-mechanical locking device	12 V DC, max 1200 mA 24 V DC, max 600 mA
Door wing width	PUSH arm: 500 - 1600 mm (1400 mm for fire doors) PULL arm: 750 - 1400 mm (same width for fire doors)
Door wing opening angle	PUSH arm: 110° PULL arm: 110°
Opening time (0 - 80°)	2.5 ÷ 12 s
Closing time (90° - 10°)	4 ÷ 12 s
Hold open time	0 ÷ 30 s
Operating temperature	-20°C / +45°C
Protection rating	IP20

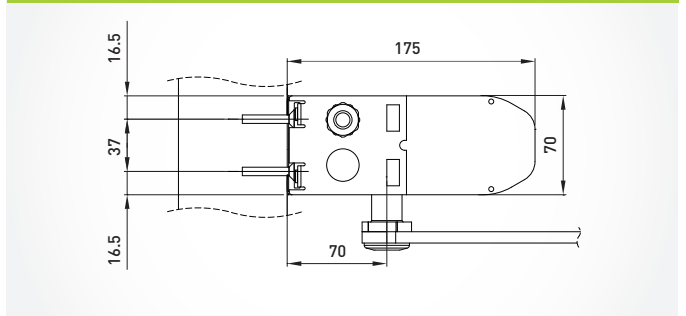
Main functions

	DAB305
ESE configuration card	■ (electro-mechanical lock, function-selector, fire mode)
ESA configuration card	■ (sensors, alarm signal and doors monitoring status)
Integrated basic selector	■
Automatic mode	■
Door-closer mode	■
Low Energy mode	■
Power-Assist mode	■
PUSH&GO opening	■
INVERSE mode	■
Double acting mode	■ (optional)
Battery operation	■ (optional)
Synchronised double-wing management	■ (optional)
Fire rated	■ DIN 18263-4, EN 1158, EN16005
Fire rated Kit	■ (optional)
Coordination unit	■ (optional)

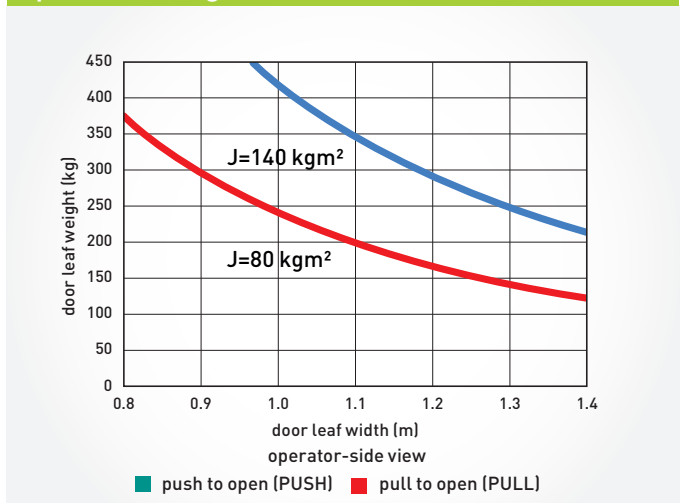
Installation type



Dimensions



Operation diagram



Relevant Directives and Standards

- 2006/42/EC Machinery Directive
- 2014/30/EU Electromagnetic Compatibility Directive
- EN 16005 Powered pedestrian door
- EN & IEC 60335 - 1 and 2 Safety electrical appliances
- EN 60950 Information technology equipment
- EN 61000 - 6 Electromagnetic Compatibility
- EN ISO 13849 - 1 Safety of machinery
- EN 61000 - 6 Electromagnetic Compatibility
- EN ISO 13849 - 1 Safety of machinery
- EN 61000 - 6 Electromagnetic Compatibility
- EN ISO 13849 - 1 Safety of machinery
- EN 1634 - 1 Fire residence tests for door
- EN 1158 Door coordinator devices
- 2011/65/EU RoHS - Restriction of hazardous substances
- EN 18263 - 4 Self closing function with fire/smoke control doors