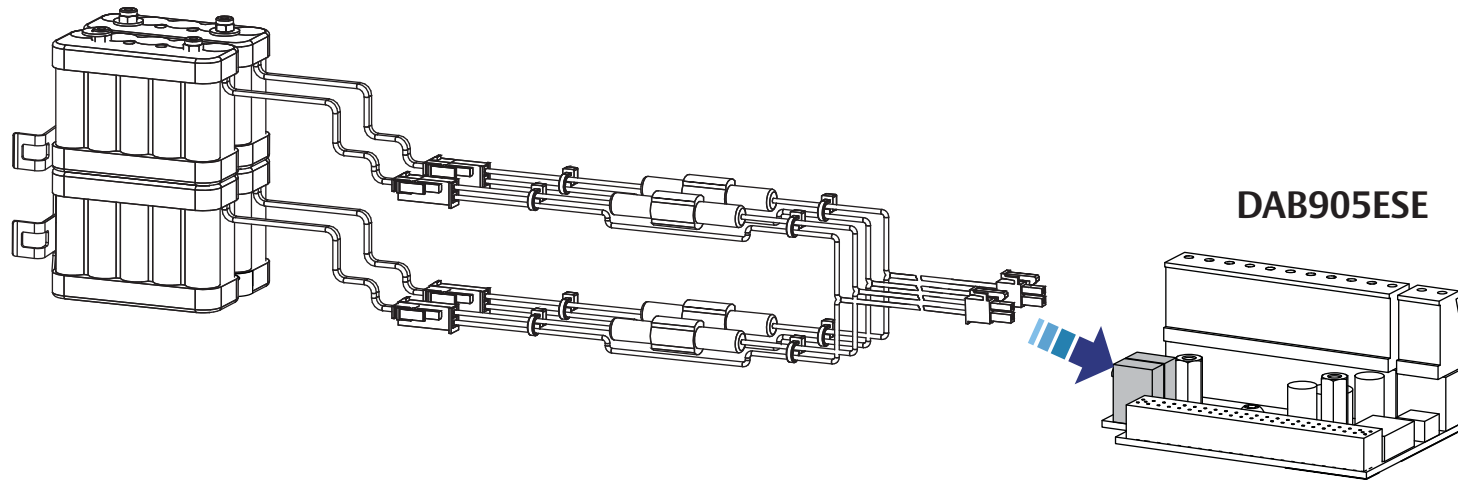


Backup batteries DAB905BAT3



Function on the extension unit DAB905ESE; Power failure mode with backup batteries installed

- Two contacts are available for connection of 4 pcs x 12 V batteries (NiMH).
- The batteries are rechargeable and will be charged by the control unit in the operator. New, fully charged batteries can typically open and close a door S300 times in convenience mode.
- DIP-switch for monitoring of batteries is also available. Faulty battery will be indicated by the LED on the CUS7. If selected the relay on DAB905ESA can give a contact information. The capacity of the battery is tested after power on and once a week. The battery voltage is continuously checked.

There are two different modes where the operator works; POWER SAVE mode and CONVENIENCE mode.

- During POWER SAVE mode the operator will finish the actual operating cycle and then switch OFF the battery supply. The battery powered operator can be reactivated to achieve a new operating cycle by an impulse on the KEY input. In power save mode the operator can stand-by for up to 1 week, waiting for KEY impulse. In this mode for double doors, only the master operator needs a battery and an DAB905ESE board.

- During CONVENIENCE MODE the operator will work as normal until the batteries are discharged. In this mode for double doors, both operators needs to have batteries and DAB905ESE boards.

The following sensors are not active during battery operation (POWER SAVE mode);

- Mat
- Overhead presence detector (OPD/OPS), frame mounted
- Presence impulse approach, door mounted
- Presence detection swingpath, door mounted

Note! All sensors works normally in CONVENIENCE MODE.

Settings for double doors

Function	Settings on the	
	MASTER	SLAVE
Selection of battery operating mode during operation on battery power	X	

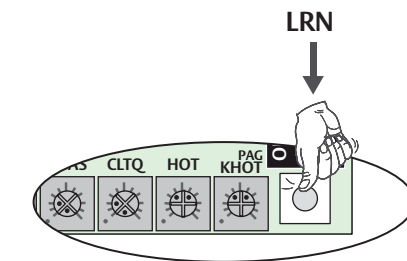
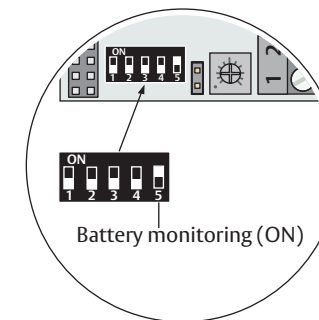
Error indication

LED flash frequency	Reason	Remedy
Two 0.3 s flashes, pause etc.	Battery defective	Replace battery (normal operation with mains power)

Battery monitoring

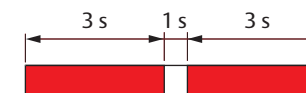
A battery counter sends a warning to the battery monitor when the batteries are two years old. To reset the counter in CONVENIENCE mode, cut the main power and press the LEARN-button. All other LEARN-button functionality is disabled in battery mode.

In POWER SAVE, make a key impulse and press the LEARN-button when the system has started. The battery monitoring DIP switch needs to be in position ON.



Select battery mode by changing group of parameter

- 1) Disconnect the battery and mains.
- 2) Press the Learn Button (LRN) and keep it depressed.
- 3) Connect the electrical power contact.
- 4) Watch the ERROR LED.



- 5) Release the Learn Button after the 3 seconds (LED is out).

The ERROR LED flashes a number of short flashes that corresponds to the parameter group number (see table on next page). After a short pause the LED will repeat the group number, and so on.

- 6) Pushing the Learn Button once, increases the parameter group number. When the highest parameter group number is reached it will start with number 1 (default) again.
- 7) Push the button until you get the requested parameter group.
- 8) Disconnect the electrical power contact.
- 9) Next time the electrical power is connected, the operator will use the new group of parameters.



Battery backup unit
Ditec DAB305
Installation drawing

Ditec

1.0

1020459-DIen

Parameter/ Group	1 Default	2	3	4	5	6	7	8	9	10	11	12	13	14	15	16	17	18	19	20	21	
OPEN/CLOSE HOLD OPEN TIME	15 minutes	Infinite	15 minutes	15 minutes	15 minutes	15 minutes	15 minutes	15 minutes	15 minutes	15 minutes	15 minutes	15 minutes	15 minutes	15 minutes	Infinite	Infinite	15 minutes	15 minutes	15 minutes	15 minutes	15 minutes	
Battery mode	Power save	Power save	Convenience	Power save	Power save	Power save	Power save	Power save	Power save	Convenience	Power save	Power save	Power save	Power save	Power save	Convenience	Convenience	Power save	Convenience	Power save	Power save	Convenience
KILL mode	Locked during KILL	Locked during KILL	Locked during KILL	Lock follows program selector during KILL	Locked during KILL	Locked during KILL	Locked during KILL	Locked during KILL	Lock follows program selector during KILL*	Locked during KILL	Unlocked during KILL	Unlocked during KILL	Locked during KILL	Unlocked during KILL	Locked during KILL	Locked during KILL	Unlocked during KILL	Lock follows program selector during KILL*	Unlocked during KILL	Unlocked during KILL	Unlocked during KILL	
OBSTRUCTION mode¹⁾	Door closer	Door closer	Door closer	Door closer	Reverses when obstructed	Door closer	Door closer	Door closer	Door closer	Reverses when obstructed	Door closer	Door closer	Door closer	Door closer	Reverses when obstructed	Reverses when obstructed	Reverses when obstructed	Reverses when obstructed	Door closer	Reverses when obstructed	Door closer	
DOUBLE EGRESS mode	Separate presence detection	Separate presence detection	Separate presence detection	Separate presence detection	Separate presence detection	Common presence detection	Separate presence detection	Separate presence detection	Separate presence detection	Separate presence detection	Separate presence detection	Separate presence detection	Separate presence detection	Separate presence detection	Separate presence detection	Separate presence detection	Separate presence detection	Separate presence detection	Separate presence detection	Separate presence detection	Separate presence detection	
LOCK RETRY²⁾	On	On	On	On	On	On	Off	On	On	On	On	On	On	On	On	On	On	On	On	On	On	On
OPEN/CLOSE impulse	In AUTO mode	In AUTO mode	In AUTO mode	In AUTO mode	In AUTO mode	In AUTO mode	In AUTO mode	In OFF, EXIT and AUTO mode	In AUTO mode	In AUTO mode	In AUTO mode	In AUTO mode	In AUTO mode	In AUTO mode	In OFF, EXIT and AUTO mode	In OFF, EXIT and AUTO mode	In AUTO mode	In AUTO mode	In AUTO mode	In AUTO mode	In AUTO mode	
KILL Impulse Configuration²⁾	Normally Open	Normally Open	Normally Open	Normally Open	Normally Open	Normally Open	Normally Open	Normally Open	Normally Closed Monitored	Normally Open	Normally Open	Normally Closed Monitored	Normally Closed Monitored	Normally Closed Monitored	Normally Open	Normally Closed Monitored	Normally Closed Monitored	Normally Closed Monitored	Normally Closed Monitored	Normally Closed Monitored	Normally Closed Monitored	
Relay²⁾	Error indication	Error indication	Error indication	Error indication	Error indication	Error indication	Error indication	Error indication	Error indication	Error indication	KILLout	KILLout	KILLout	Lock	Lock	Lock	Error indication	Error indication	Error indication	Error indication	Error indication	
Double acting	No	No	No	No	No	No	No	No	No	No	No	No	No	No	No	No	No	No	Yes	Yes	Yes	

* The lock unlocks at impulse during KILL in EXIT mode.

1) If set to REVERSES WHEN OBSTRUCTED, the operator re-opens when obstructed, similar to a presence impulse.

2) In double door installations, for SLAVE this parameter will follow the parameter group chosen at the SLAVE, regardless MASTER config.

In the default setting, if there is a bind with the strike plate when the door is closing the door will try to close two extra times in automatic operation, OFF or EXIT mode and once in manual operation.

This function can be switched off (see "LOCK RETRY" and parameter group 7), and in a double-door application SLAVE must be configured separately (see note 2) about why.

Note! If relay output is used for Lock even at SLAVE, use parameter group 15 in SLAVE.

In double door installations with Double Acting, SLAVE must have same parameter group as MASTER.



Battery backup unit
Ditec DAB305
Installation drawing