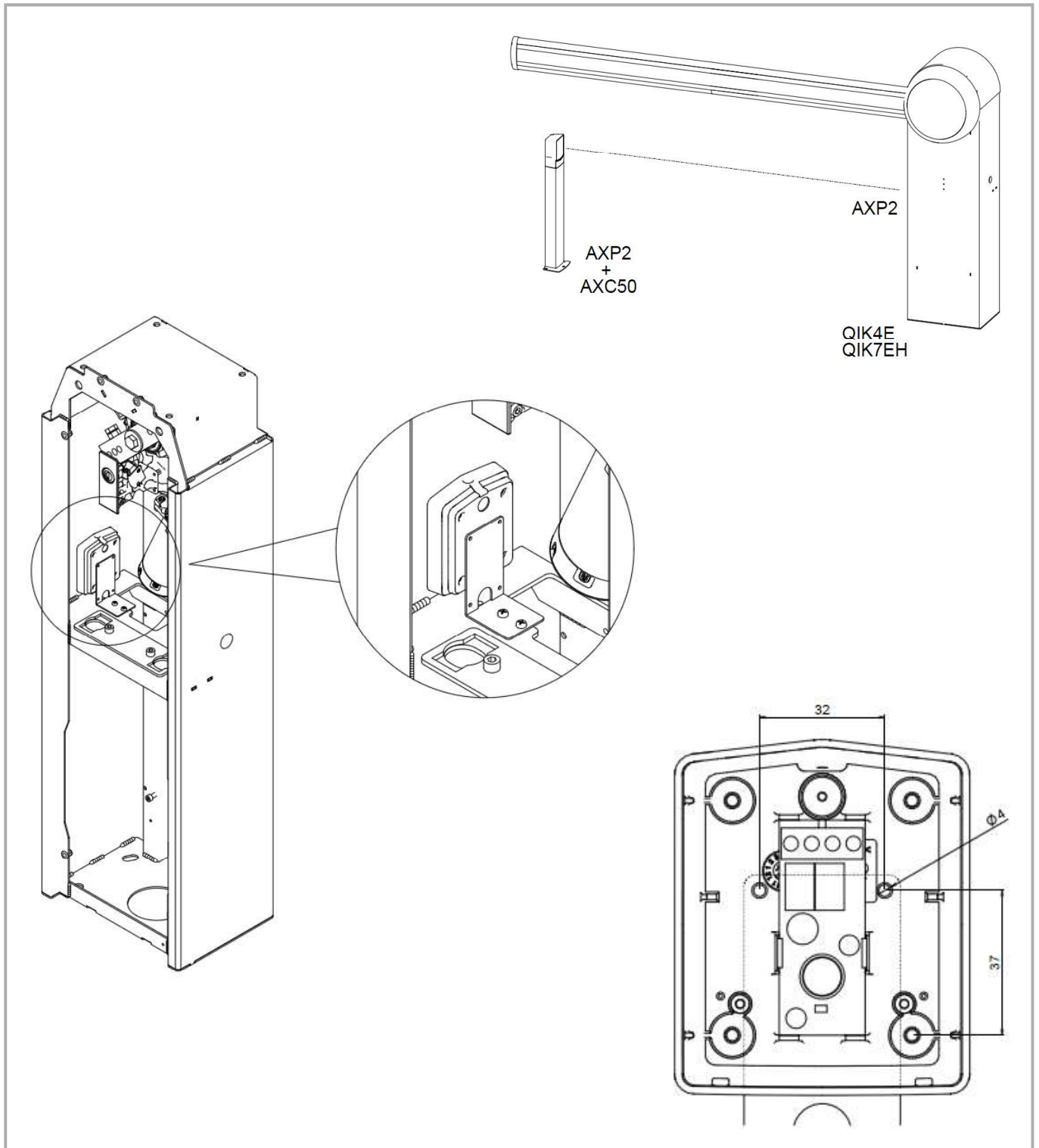
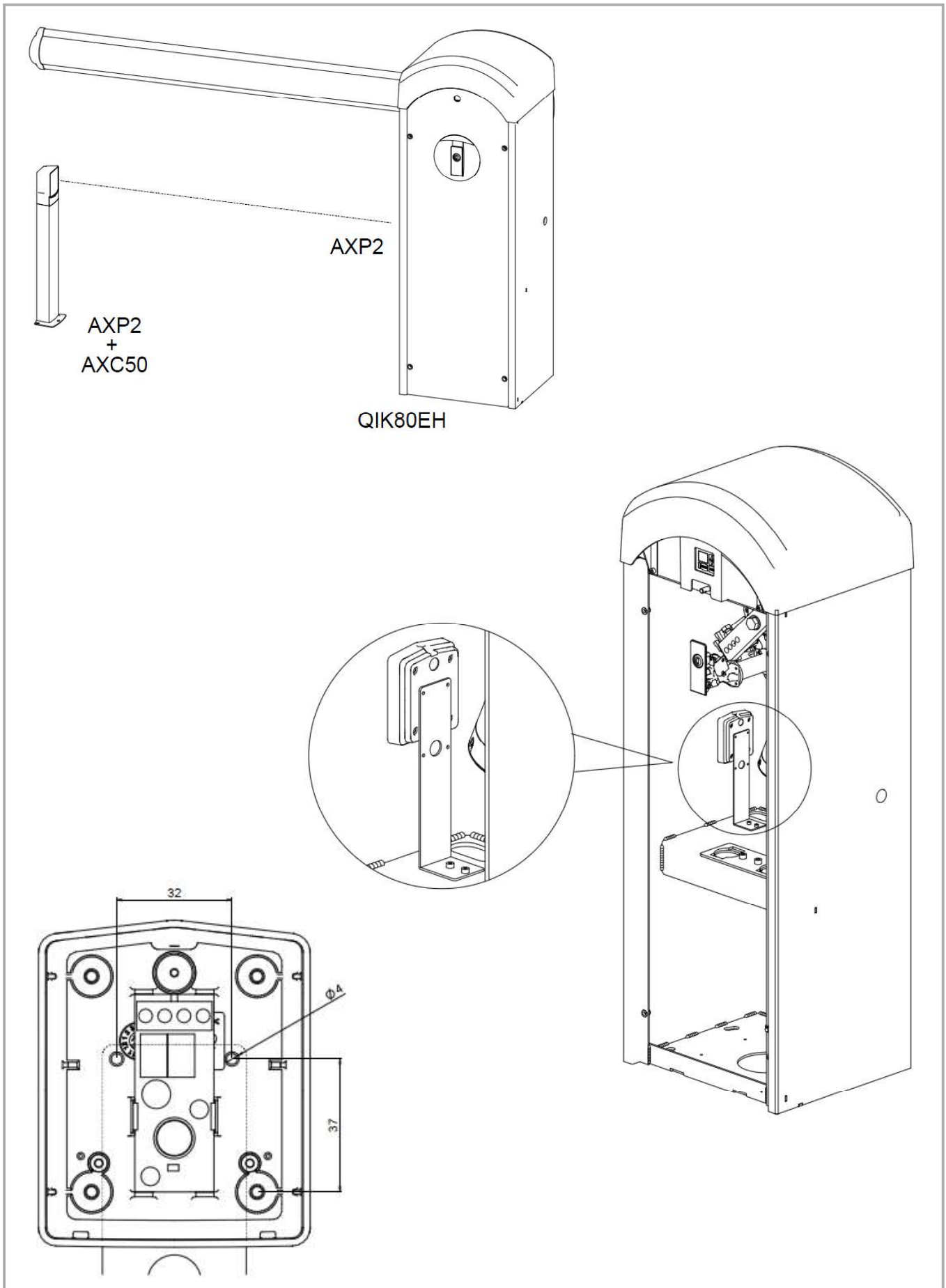


AXP2 per/for QIK

IP2311 • 2018-05-30

Foglio aggiuntivo fotocellula AXP2 montata su barriere QIK
Supplementary sheet photocell AXP2 mounted on QIK barrier





ENTRE//MATIC



Entrematic Group AB
Lodjursgatan 10
SE-261 44, Landskrona
Sweden
www.entrematic.com

