

## 1. Deactivation of door mounted sensors and smoke detector ORS 142W

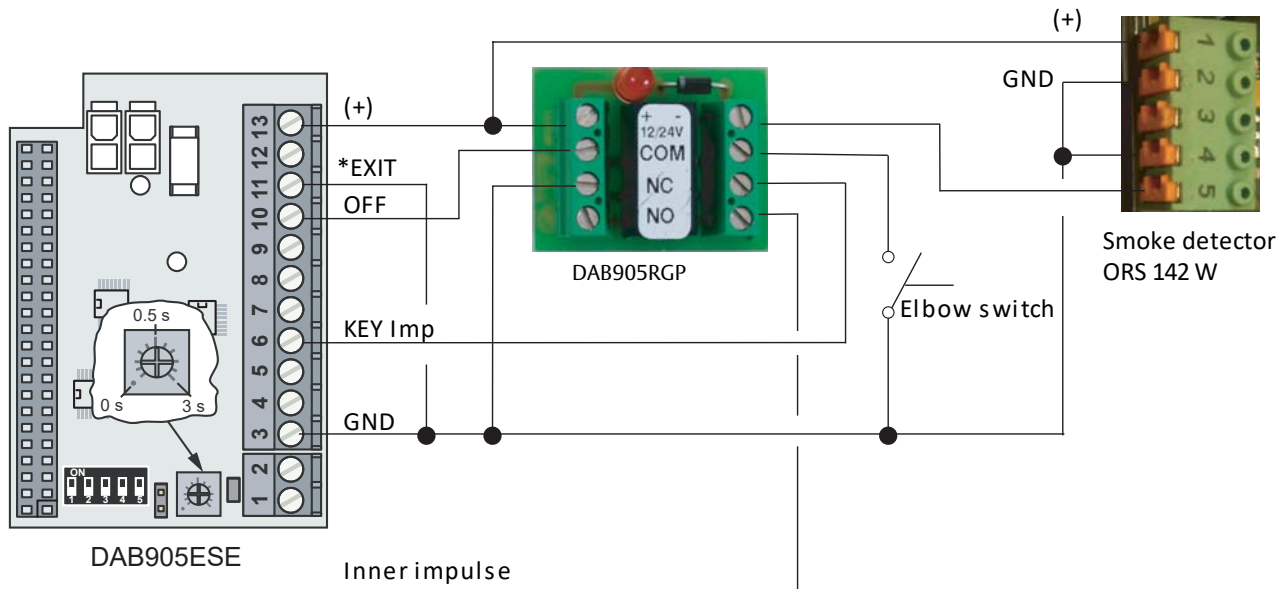
Program selector can be connected as normal.

\*If no program selector, make a bridge from terminal 3 to 11 for constant EXIT.

Use either outer or inner impulse.

When the smoke detector is activated by smoke, the operator goes into OFF mode.

In this OFF mode the door mounted sensors are ignored, the operator goes into low energy mode and the Key impulse is available.



## 2. Deactivation of door mounted sensors and fire alarm NC

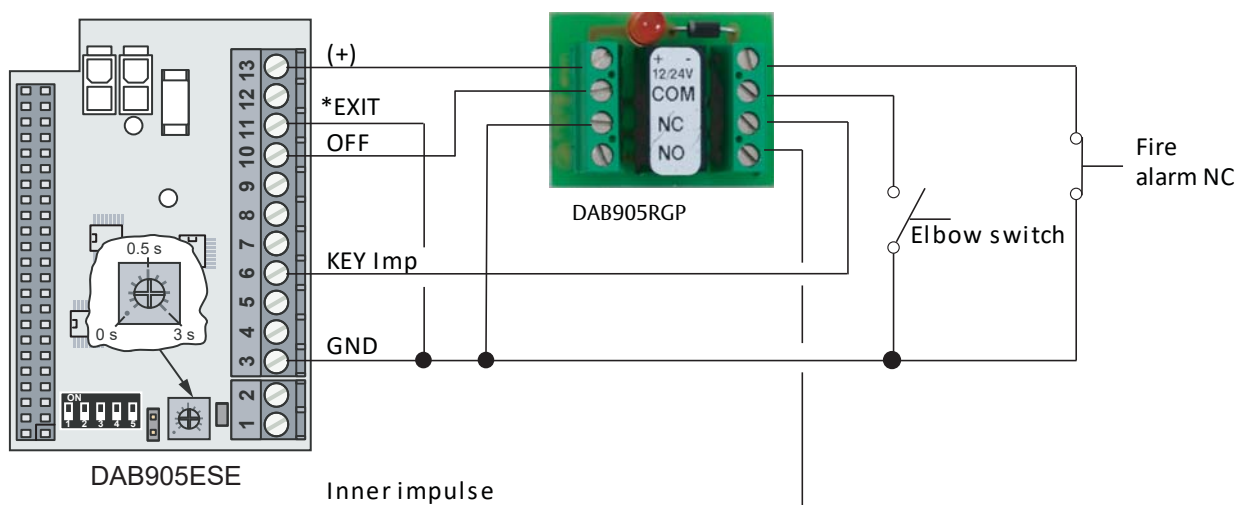
Program selector can be connected as normal.

\*If no program selector, make a bridge from terminal 3 to 11 for constant EXIT.

Use either outer or inner impulse.

When the fire alarm is activated, the operator goes into OFF mode.

In this OFF mode the door mounted sensors are ignored, the operator goes into low energy mode and the Key impulse is available.



### 3. Deactivation of door mounted sensors and +24VDC fire alarm

Program selector can be connected as normal.

\*If no program selector, make a bridge from terminal 3 to 11 for constant EXIT.

Use either outer or inner impulse.

When the fire alarm is activated, the operator goes into OFF mode.

In this OFF mode the door mounted sensors are ignored, the operator goes into low energy mode and the Key impulse is available.

