

READY
TO USE



EASY
TO INSTALL



Ditec Olly E

Automation for sliding frames

EN

SIL ENT

With **Ditec Olly E** opens and closes the shutters without going outside or, in bad weather, without opening the windows. It can be used in a wide range of contexts (residential, commercial and industrial) to automate even existing window and door frames, both visible and concealed.

Ditec Olly E

Move your frames silently

Discover how to make your environment comfortable

Easy to use

Ditec Olly E is a compact, reliable automation designed to quickly automate internal and external window and door frames.

Convenience

Ditec Olly E features silent operation and can move wings up to 80 kg. The automation is controlled through a pushbutton panel or a remote control. These controls allow users to open external window frames without having to open the windows and be exposed to unpleasant temperature changes.

Truly practical

Window and door frames can be centrally controlled by positioning all control switches in a single area of the house. This clever solution allows users to open and close all window and door frames from a single point, improving the quality of their daily life.

It is particularly beneficial for older or physically impaired users, who will be able to open and close door and window frames from the central control switches without having to move from room to room or to leave the house.

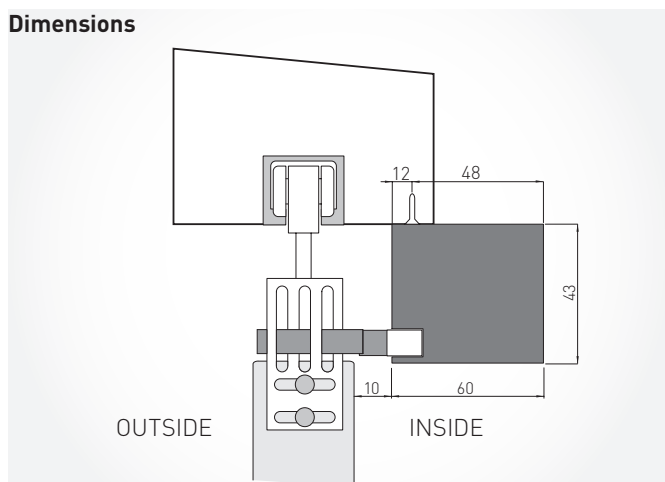
A practical mounting set

The automation is supplied complete with:

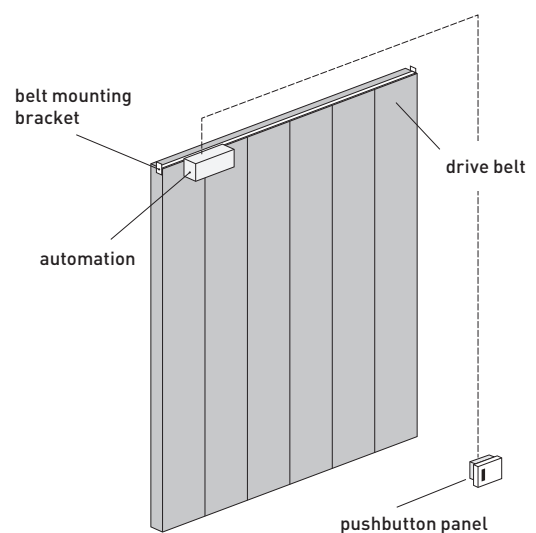
- an actuator
- transmission belt
- two belt connections
- a control panel including radio receiver built-in.



Dimensions



Installation type



Product range

KJE

set OLLYE

Technical features and control panel functions

Technical specifications

Description	Olly E
Electromechanical actuator	for sliding frames
Maximum capacity	80 kg
Service index	2 - light
Intermittent operation	S2 = 7 min / S3 = 15%
Power absorption	19 V=
Power input	1.8 A
Torque / Thrust	50 Nm
Opening speed	0.1 m/s
Closing speed	0.1 m/s
Maximum opening width	3.5 m
Operating temperature	-20°C / +55°C
Protection level	IP 20
Product dimensions (mm)	60x43x120
Control panel	RO2H

Control panel functions

Description	RO2H
Control panel	for 1 19 V= motor with built-in radio
Mains power supply	230 V AC/50-60 Hz
Energy saving	reduced consumption when on stand-by and during use
Number of motors	1
Motor power supply	19 V= / 1.8 A
Stop device	■
ODS - Obstruction Detection System (causes the gate to stop or reverses motion when an obstruction is detected)	■
Opening control	■
Close control	■
Hold-to-run control	■



Entrematic Italy S.p.A.

Largo U. Boccioni, 1 · 21040 Origgio (VA) · Italy

Tel +39 02 963911 · Fax: +39 02 9650314

ditec@entrematic.com

www.ditecentrematic.com · www.entrematic.com

Present in: France, Germany, Spain, Turkey and Canada.

For addresses and contact information see our website www.ditecentrematic.com

